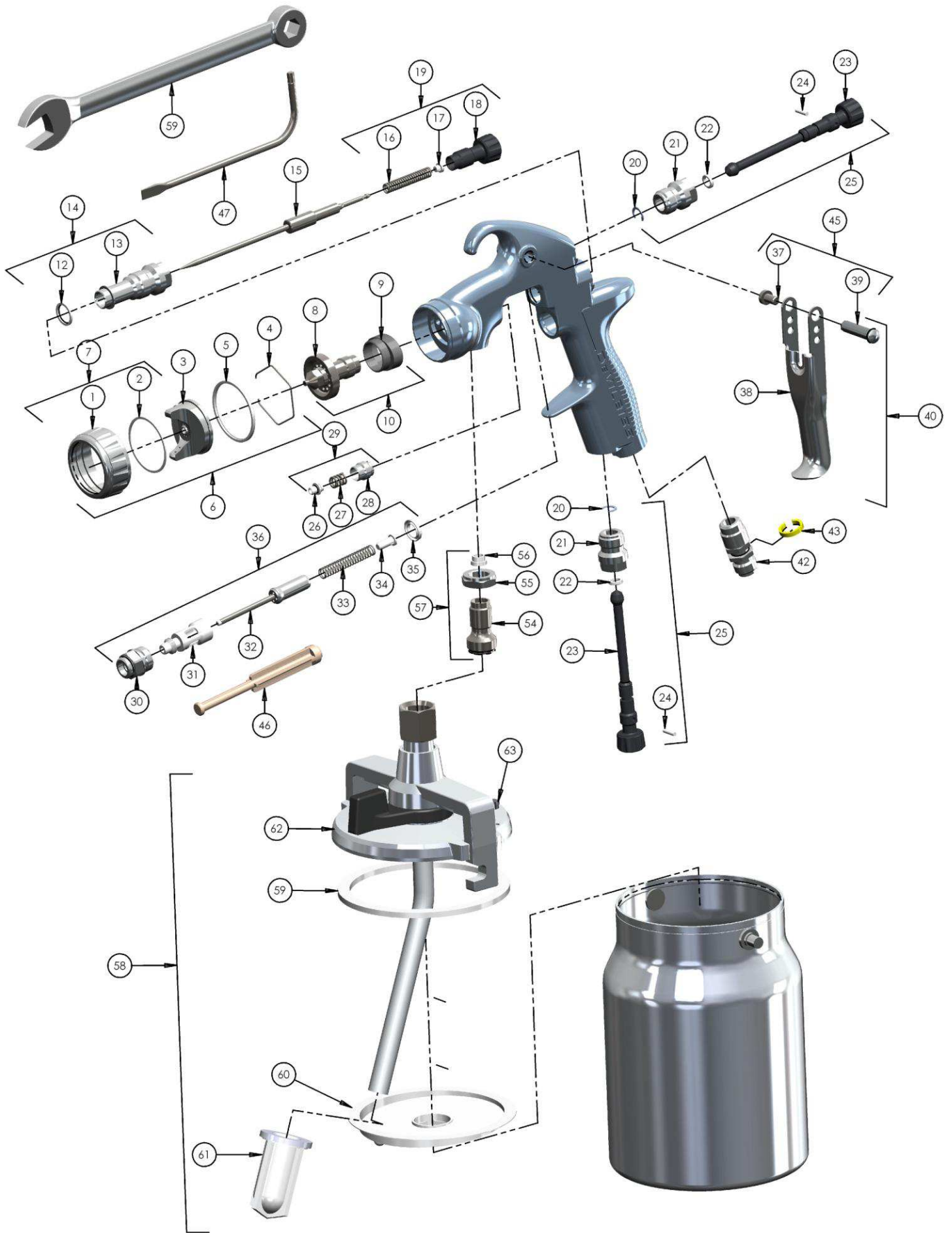


PARTS LIST

REF. NO.	DESCRIPTION	PART NO.	QTY	REF. NO.	DESCRIPTION	PART NO.	QTY
1	Air Cap Retaining Ring	-	1	32	Air Valve Poppet	-	1
2	Slip Ring	-	1	33	Air Valve Spring	-	1
3	Air Cap	-	1	34	Air Valve Spring Pad	-	1
4	Air Cap Retaining Clip	JGA-156-K5	1	35	Air Valve Seal	SN-34-K5	1
5	Retaining Ring Seal	-	1	36	Air Valve Assembly	SN-402-K	1
6	Aircap & Ring	See chart 1 p14	1	*37	Trigger Stud Screw (T20 TORX)	-	1
7	Air Cap Retaining Ring & Seals	ADV-403-K	1	38	Trigger	-	1
8	Fluid Nozzle	See chart 2 p14	1	*39	Trigger Stud	-	1
9	Separator	SP-626-K5	1	40	Trigger, Stud & Screw Kit	SN-63-K	1
10	Fluid Nozzle Kit	See chart 2 p14	1	42	Air Inlet	SN-9-K	1
*12	Body Bushing Seal	-	1	43	Colour ID Ring Kit (4 Colours)	SN-26-K4	1
13	Body Bushing	-	1	45	Stud and Screw kit	SN-405-K5	1
14	Body Bushing & Seal	SN-6-K	1	46	Air valve Service Tool	-	1
15	Fluid Needle	See chart 2 p14	1	47	Torx Key	SPN-8-K2	1
*16	Needle Spring	-	1	54	Fluid Inlet Connector	-	1
*17	Needle Spring Pad	-	1	55	Lock Nut	-	1
18	Fluid Adjusting Knob	-	1	56	Seal	-	1
19	Fluid Adjusting Knob, Spring & Pad Kit	ADV-6-K	1	57	Fluid Inlet Connector Kit	ADV-7-K	1
*20	Retaining Clip	-	2	Suction Cup Models only			
21	Spreader Valve Body	-	2	58	Suction Cup	TGC-545-E-K	1
*22	Spreader Valve Seal	-	2	59	Cup Lid Gasket - kit of 5	TGC-9-K5	1
23	Spreader Valve Adjusting Knob	-	2	60	Drip Check Diaphragm- Kit of 5	KR-115-K5	1
*24	Spreader Valve Pin	-	2	61	Filter – Kit of 10	KR-484-K10	1
25	Spreader & Airflow Valve Assembly	ADV-401-K	2	62	Lid Assembly	TGC-404-E	1
*26	Needle Packing	-	1	63	Valve Kit of 3	TGC-407-1-K3	1
*27	Packing Spring	-	1				
*28	Packing Nut	-	1	For accessories, see page 17			
29	Packing, Spring & Packing Nut Kit	SN-404-K	1	Spray Gun repair kit (includes items marked *)		PRO-415-1	
30	Air Valve Body	-	1	Seal and Pin Kit, kit of 5 (items 20, 22 and 24)		GTI-428-K5	
31	Air Valve Cage	-	1	For accessories, see page 17			



PATENT GB2417544