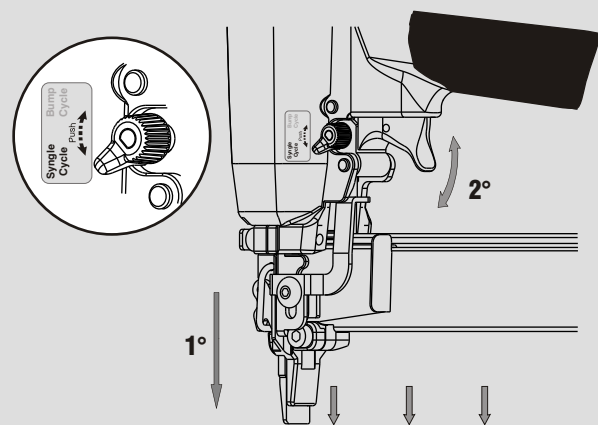
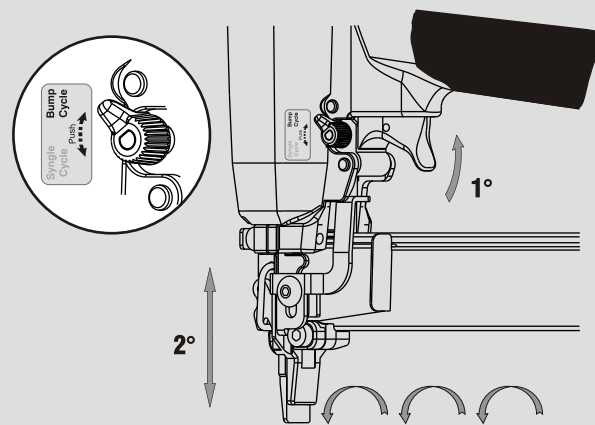


Caratteristiche - Features

Colpo singolo Sequential fire



Colpo martello Bump fire

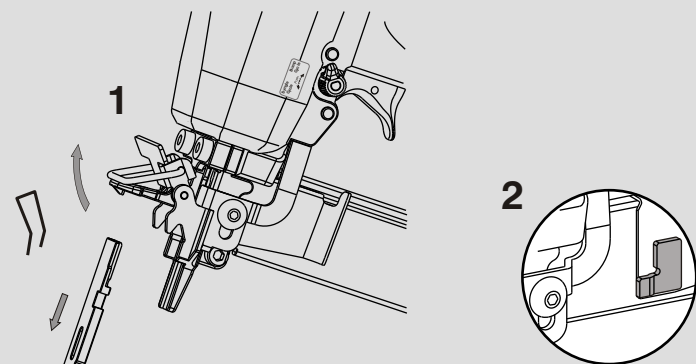


1 - Disinceppamento macchina

Quick clearance jammed nails

2 - Blocco sparo a caricatore scarico

Stop firing device to signal empty magazine



OMER

Manuale d'uso, manutenzione e parti di ricambio

Parte 2

Use, maintenance and spare parts manual

Part 2

Gebrauchsanweisung, Instandhaltungsrichtlinien und Ersatzteile

Teil 2

Manuel d'utilisation, entretien et pièces de rechange

Partie 2

Manual de uso, mantenimiento y repuestos

Part 2

Manual de utilização, manutenção e partes sobresselentes

Parte 2

Handleiding voor gebruik, onderhoud en reservedeelsite

Deel 2

Brugsanvisning, vedligeholdelse og reservedeelsite

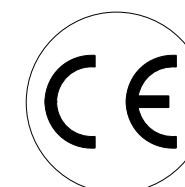
Del 2



92.32

cod. 1427200

1427200_9232_2 040408 IV



Dati tecnici

Technical data

Technische daten

Données techniques

Datos técnicos

Dados técnicos

Dados técnicos

Technische gegevens

Tekniske data

Misure impiegabili mm

Usable lengths mm

Gebrauchliche Längen mm

Mesures utilisables mm

Medidas que se pueden emplear mm

Medidas que se podem utilizar mm

Te gebruiken engtes in mm

Brugbare laengder i mm

9 ÷ 32

Capacità caricatore n° punti

Magazine capacity No. of fasteners

Magazinkapazität Nägel

Capacité chargeur n° de points

Capacidad cargador n° puntos

Capaciteit magazijn in aantal spijkers

Capacidade carregador n° pontos

Capaciteit magazijn in aantal spijkers

Kapacitet af magasin antal klemme

115

Pressione d'esercizio

Working pressure

Betriebsdruck

Pression de fonctionnement

Presión de trabajo

Arbejds tryk bar

Pressao de trabalho

Werkdruk

Arbejds tryk bar

5 ÷ 7,5 bar
70 ÷ 105 psi

Consumo aria litri/colpo

Air consumption litres/shot

Luftverbrauch Liter/Schlag

Consommation air litre/coup

Consumo aire-litros/golpe

Consumo aire-litros/golpe

Consumo ar litro/golpe

Luchtverbruik liter/schot

Luftforbrug liter/skud

0,45

Peso kg

Weight kg

Gewicht kg

Poids kg

Peso kg

Peso kg

Peso kg

Gewicht in kg

Vaegt kg

1,25

Dimensioni (AxH) mm

Dimensions mm

Große mm

Dimension mm

Dimensiones mm

Dimensiones mm

Dimencoes mm

Afmetingen in mm

Dimensioner mm

246x58x216

EN 12549 :1999 ISO 11201 :1995

Pressione sonora in pos. operatore

Sound pressure at the workstation

Lärmintensität am Arbeitsplatz

Pression acoustique près de l'opérateur

Presión sonora en posición encargado

Lydstyrke på operatorposten

Intensidade sonora perto do operador

Geluidssterkte op de werkplek

Lydstyrke på operatorposten

$L_{pA,1s}$
(Rif. 20µPa)

83,1 dB(A)

EN 12549 :1999 ISO 3744 :1994

Potenza sonora emessa

Emitted sound power

Ausgestrahlte Lärmintensität

Puissance acoustique émise

Potencia sonora emitida

Potencia sonora emitida

Potência sonora emitida

Uitgestraalde geluidssterkte

Udsendt lydstrykke

$L_{WA,1s}$
(Rif. 1pW)

92,9 dB(A)

EN 28662 :1992 ISO 5349 :1986 ISO 8662 -11

Valore medio ponderato di vibrazione sull'impugnatura

Weighted mean value of vibration on the grip

Mittlerer Vibrationswert, am Griff Gemessen

Valeur moyenne pondérée de vibration mesurée sur la poignée

Valor medio ponderado de vibracion medida en la empunadura

Middelvaerdi af vibrationer pa handtaget

Valor medio ponderado de vibracao medida no punho

Gewogen gemiddelde vibratiewaarde

Middelvaerdi af vibrationer pa handtaget

Sequential $a_{h,w}$

6,4 m/s²

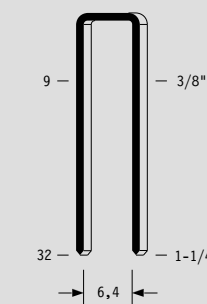
Bump $a_{h,w}$

6,06 m/s²

Tipo di punto
Type of fastener
Befestigungselement
Type d'agrafe
Tipo de punto
Tipo de ponto
Type nietjes
Tilspændingstype

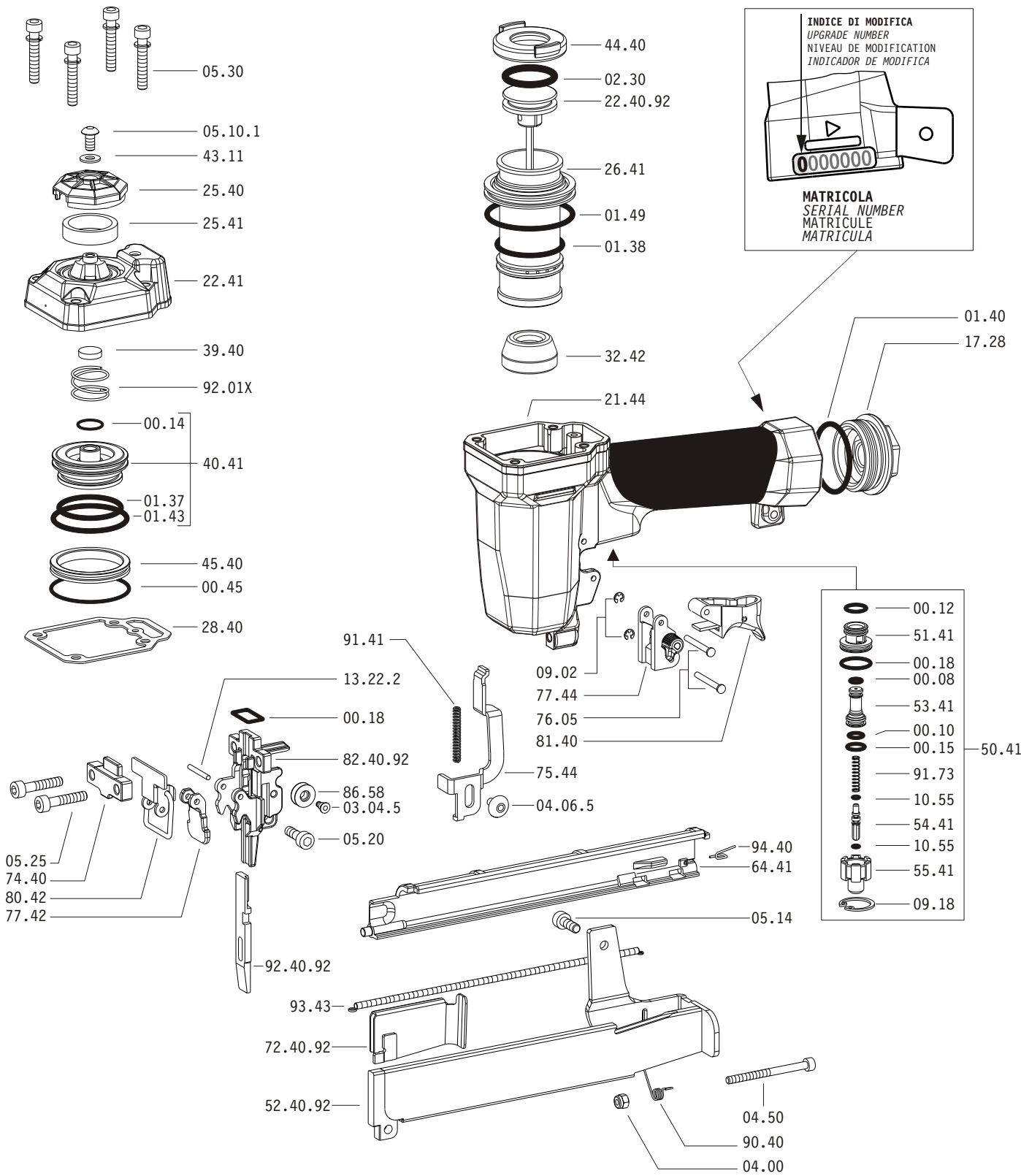
92

1,00x1,25

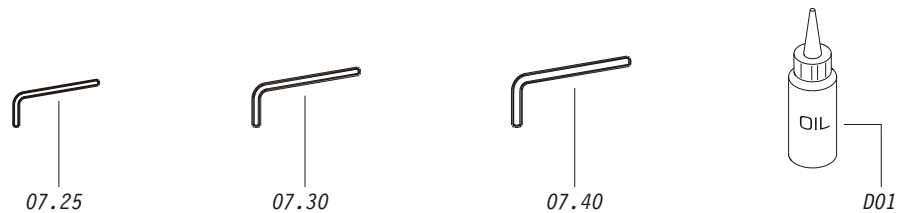


Crown: .330" (5/16")
Gauge: 18

Parti di ricambio - Spare parts - Ersatzteile - Pièces de rechange - Piezas de repuesto
- Partes sobresselentes - Tabel te raadplegen - Reservedele



Dotazioni - Equipment - Ausrüstung - Équipements - Equipamiento - Equipamento - Uitrusting - Udstyr



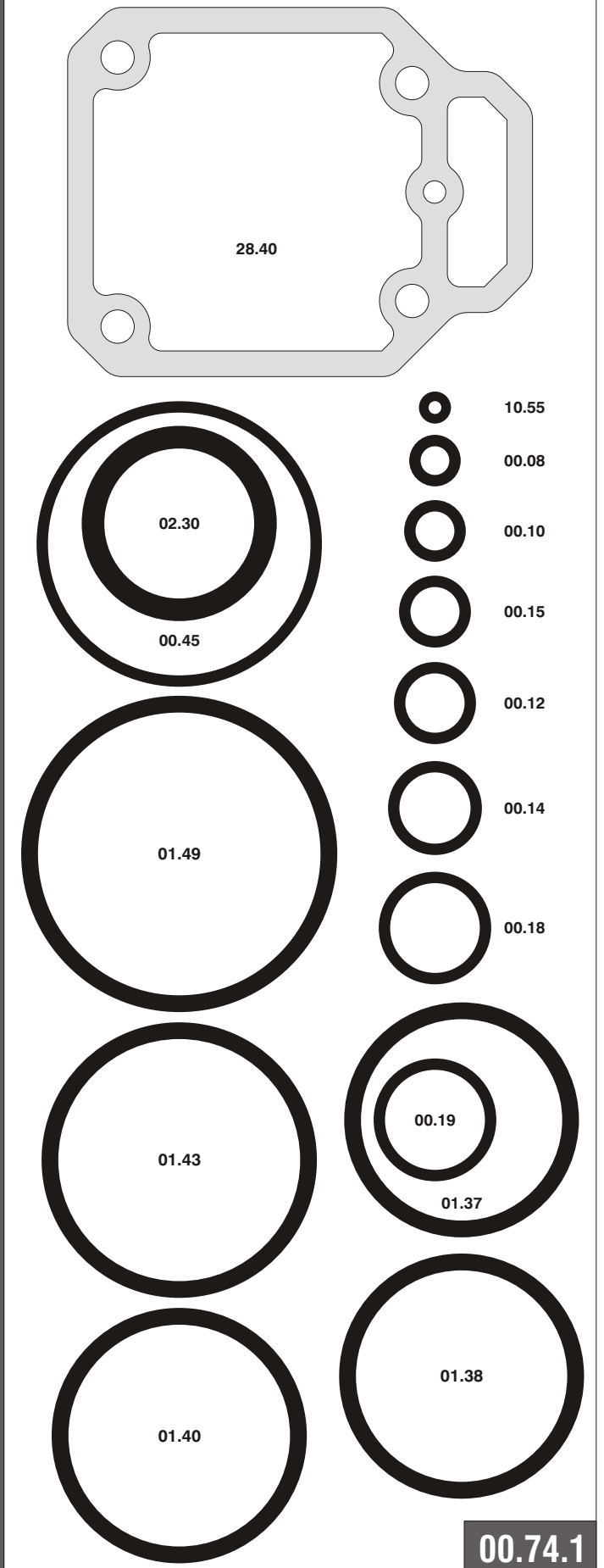
92.32

cod. 1427200

Parti di ricambio - Spare parts - Ersatzteile - Pièces de rechange - Piezas de repuesto
- Partes sobresselentes - Tabel te raadplegen - Reservedele

Cod.	Descrizione	Description
00.08	O-Ring	O-Ring
00.10	O-Ring	O-Ring
00.12	O-Ring	O-Ring
00.14	O-Ring	O-Ring
00.15	O-Ring	O-Ring
00.18	O-Ring	O-Ring
00.45	O-Ring	O-Ring
01.37	O-Ring	O-Ring
01.38	O-Ring	O-Ring
01.40	O-Ring	O-Ring
01.43	O-Ring	O-Ring
01.49	O-Ring	O-Ring
02.30	O-Ring	O-Ring
03.04.5	Vite	Screw
04.00	Dado	Nut
04.06.5	Vite	Screw
04.50	Vite	Screw
05.10.1	Vite	Screw
05.14	Vite	Screw
05.20	Vite	Screw
05.25	Vite	Screw
05.30	Vite	Screw
07.25	Chiave esagonale	Hex. bar wrench
07.30	Chiave esagonale	Hex. bar wrench
07.40	Chiave esagonale	Hex. bar wrench
09.02	Anello elastico	Elastic ring
09.18	Anello elastico	Elastic ring
10.55	O-Ring	O-Ring
13.22.2	Spina	Pin
17.28	Tappo	Inlet cap
21.44	Corpo	Body
22.41	Testa	Head
25.40	Deflettore	Exhaust deflector
25.41	Silenziatore	Silencer
26.41	Cilindro	Cylinder
28.40	Guarnizione testa	Head gasket
32.42	Ammortizzatore	Bumper
39.40	Guarnizione scarico	Exhaust seal
40.41	Valvola completa	Valve ass'y
43.11	Rondella	Washer
44.40	Guarnizione	Gasket
45.40	Anello valvola	Ring
50.41	Pulsante completo	Trigger valve ass'y
51.41	Boccola pulsante	Trigger valve housing
53.41	Pistone servovalvola	Valve piston
54.41	Pulsante	Trigger valve
55.41	Raccordo pulsante	Bush
64.41	Carter	Hold down
74.40	Staffa testina	Nose guide
75.44	Sicura	Safety
76.05	Perno	Pin
77.42	Guida testina	Safety nose plate
77.44	Guida sicura	Safety guide
80.42	Grilletto testina	Nose plate lock
81.40	Grilletto comando	Trigger
86.58	Carrucola	Pulley
90.40	Molla	Spring
91.41	Molla	Spring
91.73	Molla	Spring
92.01X	Molla	Spring
93.43	Molla	Spring
94.40	Molla	Spring
22.40.92	Battente	Driver
52.40.92	Caricatore	Magazine
72.40.92	Spingipunto	Pusher
82.40.92	Controtestina	Nose
92.40.92	Testina	Nose plate
D01	Boccetta olio	Oiler

- Kit O-Rings - O-ringen - Pakninger - Guarnizioni - O-Rings - Dichtungen - Joints - Kit O-Rings -



1427200_9232_2_040408 IV

92.32

cod. 1427200

Indice di modifica
Upgrade number

2

2188713