

**GLOBAL  
EXPANSION**



**PNEUMATIC TOOLS**



**2016  
2017  
CATALOGUE**





# ! WARNING:



- All the pneumatic tools should only be used as hand operated tools. They are powered by compressed air and are not insulated against electric shock.
- Always turn off the air supply and disconnect the air hose before changing or replacing any inserted tool and accessory.
- Before using these tools, make sure that all couplings and plugs are securely fastened. Air hoses which are under pressure may lash out when disconnecting, that can lead to serious injury!
- High sound levels may cause hearing damage. Always wear hearing protection when operating this tool.
- Wearing eye/face protection can reduce the danger of high-speed materials being emitted from the tool. Make sure that the direction of the spark generated from the cutting wheel grinding wheel or shank stone is properly directed so as to not create a hazard..
- Always wear gloves to reduce risk
- User must wear proper clothing. Loose clothing, long hair, stings, straps, belts and jewelry should not be worn when operating this tool.
- Long periods of prolong use will cause fatigue. Periodic breaks are recommended for user safety.
- It is recommended to stop operating the tool whenever discomfort, tingling or pain occurs during use.
- Make sure there is no gas or combustible material stored near the tool when servicing, changing insert tools, or storage.
- Wearing proper breathing protection to avoid inhale dust or handling debris from working process, which can be harmful to the health.







## **A STRONG BRAND LISTENS TO ITS CUSTOMERS**

When we develop products such as our new, extremely small and handy air impact wrench NC-4610, m7 customers are our main driving force and focus. By building trust and excellent communication channels with our partners, distributors and channel customers, we very quickly get to understand what it is that they are looking and what motivates their choice of air tools.

As a designer, manufacturer and distributor of tools, we are just as committed to bringing the most reliable, efficient, ergonomic tools to the market as we are to fulfilling our promise of excellent service and support to our clients.

## **m7'S SUCCESS IS A TEAM EFFORT!**

m7 as it is affectionately called by thousands of users world-wide, is much more than just a good manufacturer of air tools. In fact, m7 provides a total brand solution for its air tool partners and consumers. m7's team is composed of a strong network of international air tool experts and an enthusiastic team of engineers, designers, marketers and administration personnel.



# EXPERTISE FOR A GLOBAL MARKET

m7 clients are very demanding and nothing short of excellence in product quality and fully committed support will do for them. We may sometimes feel that it is a lot to ask of a relatively new brand, but we embrace the challenge with open arms. We have been manufacturing tools for decades and our expertise in that field helps us better understand our clients' needs.

In terms of quality, we ensure that all the m7-branded products that we sell reflect our commitment to providing tools that are extremely reliable and perform. In order to achieve our standards of quality, our tools are tested thoroughly in our factory, using equipment such as computerized fatigue testing machines, digital torque testing machines, multi-functional testing machines, grinding efficiency testers, run-out testers, digital measuring projectors, environmental testing chamber, grinding and polishing machines, infrared tachometers, vibrations testers and decibel level detectors.



**LEVEL**

The air tools in this section have been categorized into three distinctive levels for user convenience (for reference only).



**Efficiency / Performance**

Easy to use to handle tasks quickly, these tools embody efficiency and performance.



**Strength**

Tools provide high torque force, superior grinding power and high cutting energy.

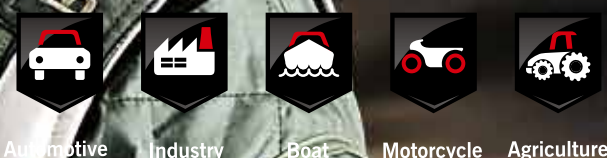


**Endurance**

Built to last, product longevity and low failure rate are characteristics associated with these tools.

**APPLICATION**

Application icons have been designed to provide visual references that suggest industry specific features or usability. These application icons are for reference only.



**CONTENT**

- 12 . BRAND NEW APPEARANCE
- 18 . AIR IMPACT WRENCH
- 40 . REPAIR KIT
- 42 . AIR RATCHET WRENCH
- 48 . AIR DIE GRINDER
- 56 . AIR ANGLE GRINDER
- 64 . AIR BELT SANDER
- 68 . AIR SANDER
- 76 . AIR PISTOL SANDER
- 77 . AIR CUTTING TOOLS
- 82 . AIR DRILL
- 90 . AIR SCREWDRIVER
- 99 . SPRING BALANCER
- 102 . AIR HAMMER
- 106 . AIR NEEDLE SCALER
- 107 . AIR HYDRAULIC RIVETER
- 114 . AIR NAILER / AIR STAPLER
- 116 . AIR GREASE GUN
- 118 . AIR BLOW GUN
- 120 . AUTO REPAIR TOOL
- 130 . FILTER, REGULATOR, LUBRICATOR
- 134 . AIR HOSE
- 136 . MOBILE CABINETS
- 138 . CORDLESS TOOLS & TORQUE WRENCH
- 142 . IMPACT SOCKET
- 164 . AFTER MARKET SUPPORT
- 166 . ACCESORIES
- 170 . RETAILER PROMOTION
- 179 . TROUBLE SHOOTING



LevelAs of today, m7 offers a wide Pneumatic product spectrum. And how does m7 know which tools you need? m7 listens to you. Identification

**LEVEL IDENTIFICATION**



# GLOBAL EXPANSION

Although we have been in the industry for more than 2 decades, m7 has only existed as a brand for a few short years. Nevertheless, the inroads that we have made in many important markets, such as automotive, have led us to believe that our combination of great partner support and quality air tools is our key to succeeding.

m7 has made its bed and the focus is clearly on providing the right combination of marketing support, customer training and new product development as the way forward. When we print our slogan "greater partner support" we see it not so much as wishful thinking, but more as a m7 "truth", a code by which we live daily.



m7 training program







Lathing Machining

CNC-Lathing

Boring

Coating

Heat Treatment

# IN-PROCESS INSPECTION

### What do we check during an In-Process Inspection?

The In-Process Inspection (IPI) cover our whole production process including the raw materials, unfinished products and assembly. Our team of inspectors chooses a specific quantity of completed products, according to AQL tables (MIL STD 105E). We inspect product appearance, workmanship quality, size measurements, weight check, functionality assortment, accessories, labeling & logos, packaging, packing and other tests and special requirements, depending on the product.

Production Process





**BRAND  
NEW  
APPEARANCE**

2nd generation

m7 is the official sponsor of CATERHAM



**PNEUMATIC  
TOOLS**  
GLOBAL EXPANSION

**New**



**NE-483**

**1/2" DRIVE AIR  
Ratchet Wrench**

Air inlet : 1/4" 20 pieces in one carton

**NEW  
PRODUCT**

Square Drive	Torque Range	Max Torque	Free Speed	Avg. Air Consumption	Air Pressure	Overall Length	Net Weight	Air Hose	Sound Pressure	Vibration Level
Inch	FT-LB (Nm)	FT-LB Nm	R.P.M	CFM (L/min)	PSI (bar)	Inch (mm)	LBS kg	Inch	dBA	m/s²
NE-483	10-65(13.5-61)	100 81	250	5.0(141)	90(6.3)	10-29/32"(277)	2.82 1.28	3/8"	85	2.0



# NEW PRODUCT

Brand New Appearance

## NE-462T

1/2" Drive Air Angle Impact Wrench  
Air inlet : 1/4" Pin Clutch Type

10 pieces in one carton



## QA-110 A/B

Air Die Grinder Air inlet : 1/4"

20 pieces in one carton



## QA-116 A/B

Air Die Grinder Air inlet : 1/4"

20 pieces in one carton



Square Drive	Torque Range	Max Torque	Free Speed	Avg. Air Consumption	Air Pressure	Overall Length	Net Weight	Air Hose	Sound Pressure	Vibration Level
Inch	FT-LB (Nm)	FT-LB Nm	R.P.M	CFM (L/min)	PSI (bar)	Inch (mm)	LBS kg	Inch	dBA	m/s <sup>2</sup>
NE-462	1/2"	10-65(13.5-88)	100 135	200	5.0(141)	90(6.3)	13-13/32"(340)	4.0 1.83	3/8"	85.0 2.2

Collet Size	Collet Size	Free Speed	Avg. Air Consumption	Air Pressure	Overall Length	Motor	Net Weight	Air Hose	Sound Pressure	Vibration Level
A mm	B inch	R.P.M	CFM (L/min)	PSI (bar)	Inch (mm)	HP	LBS(kg)	Inch	dBA	m/s <sup>2</sup>
QA-110	6 & 3	1/4" & 1/8"	22000	5.0(141)	90 (6.3)	7-5/16"(186)	0.5 1.36 0.62	3/8"	85.0	1.1
QA-116	6 & 3	1/4" & 1/8"	22000	5.0(141)	90 (6.3)	13-9/16"(345)	0.5 2.53 1.15	3/8"	85.0	1.8

## QC-213T

3" Heavy Duty Air Cut-Off Tool  
Note:wheel is supplied with the tool

Available Dimension of inner hold : Ø 10mm  
Air inlet : 1/4"

- Excellent for cutting rusted bolts, nuts, motor exhaust clamps or hangers, sheet metal, fiberglass etc.

20 pieces in one carton



## QC-264

4" Air Corner Cut-Off Tool  
Note:wheel is supplied with the tool

Available Dimension of inner hold : Ø 10mm Ø 16mm  
Air inlet : 1/4"

- Excellent for cutting rusted bolts, nuts, motor exhaust clamps or hangers, sheet metal, fiberglass etc.

10 pieces in one carton



## QC-234T

4" Air Corner Cut-Off Tool  
Note:wheel is supplied with the tool

Available Dimension of inner hold : Ø 10mm Ø 16mm  
Air inlet : 1/4"

- Excellent for cutting rusted bolts, nuts, motor exhaust clamps or hangers, sheet metal, fiberglass etc.

6 pieces in one carton



## QK-111T

Air Knife  
Air inlet : 1/4"

10 pieces in one carton



Oscillation	Avg. Air Consumption	Overall Length	Net Weight	Air Hose	Sound Pressure	Vibration Level	
per min	CFM (L/min)	Inch (mm)	LBS(kg)	Inch	dBA	m/s <sup>2</sup>	
QK-111T	20000	5.0(141)	8-3/16" (208)	2.0(0.92)	10	85	3.3

Belt Size Pad Dia	Free Speed	Avg. Air Consumption	Air Pressure	Overall Length	Motor	Net Weight	Air Hose	Sound Pressure	Vibration Level
inch(mm)	R.P.M	CFM (L/min)	PSI (bar)	Inch (mm)	HP	LBS kg	Inch	dBA	m/s <sup>2</sup>
QC-213T	3"(75)	22000	5.0(141)	90(6.3)	7-7/8"(200)	0.5 1.8 0.82	3/8"	85.0	3.0
QC-234T	4"(100)	15000	5.0(141)	90(6.3)	13-9/16"(345)	0.5 3.1 1.41	3/8"	85.0	2.2
QC-264	4"(100)	15000	5.0(141)	90(6.3)	9-5/32"(232)	0.5 2.4 1.1	3/8"	85.0	2.2



# NEW PRODUCT

Brand New Appearance

PNEUMATIC TOOLS  
GLOBAL EXPANSION

## QE-935

2pcs Planet Gear

3/8" Air Straight Drill With Key Chuck  
Air inlet : 1/4"

20 pieces in one carton



## QE-936

3/8" Air Straight Drill With Key Chuck  
Air inlet : 1/4"

20 pieces in one carton



## QE-634

3/8" 90° Air Angle Drill With Key Chuck  
Air inlet : 1/4"

20 pieces in one carton



## QP-415

Air Angle Polisher  
Air inlet : 1/4"  
Spindle Size :5/16"-24

10 pieces in one carton



## QB-802T

Air Eraser  
Air inlet : 1/4"  
Spindle Size :3/8"-24

5 pieces in one carton



## QB-812T

Air Eraser  
Air inlet : 1/4"  
Spindle Size :3/8"-24

20 pieces in one carton



## QT-112T

2pcs Planet Gear

Air Tyre Buffer  
Air inlet : 1/4"

20 pieces in one carton



## QT-203T / QT-303

Air Tyre Buffer / Quick Change Chuck  
Air inlet : 1/4"

10 pieces in one carton



Pad Dia	Free Speed	Avg. Air Consumption	Air Pressure	Overall Length	Motor	Net Weight	Air Hose	Sound Pressure	Vibration Level
inch(mm)	R.P.M	CFM (L/min)	PSI (bar)	Inch (mm)	HP	LBS(kg)	Inch	dBA	m/s <sup>2</sup>
5"(127)	2500	5.0(141)	90(6.3)	8-11/32"(211)	0.5	2.5 1.14	3/8"	85.0	1.1

Chuck Size	Collet Size	Free Speed	Avg. Air Consumption	Air Pressure	Overall Length	Motor	Net Weight	Air Hose	Sound Pressure	Vibration Level
inch(mm)	inch / mm	R.P.M	CFM (L/min)	PSI (bar)	Inch (mm)	hp	LBS(kg)	Inch	dBA	m/s <sup>2</sup>
Hex.7/16"(11.1)	1/4" / 6	4000	5.0 (141)	90(6.3)	8-27/32"(225)	0.5	1.72 0.78	3/8"	85.0	1.2
Hex.7/16"(11.1)	---	4000	5.0 (141)	90(6.3)	8-27/32"(225)	0.5	1.98 0.90	3/8"	85.0	1.6
Hex.7/16"(11.1)	---	22000	5.0 (141)	90(6.3)	8-9/16"(217)	0.5	1.74 0.79	3/8"	85.0	1.6

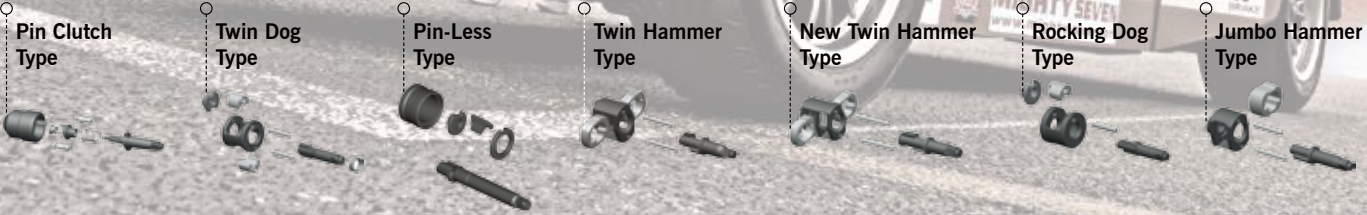
Chuck Size	Free Speed	Motor	Avg. Air Consumption	Air Pressure	Overall Length	Net Weight	Air Hose	Sound Pressure	Vibration Level
inch(mm)	R.P.M	hp	CFM (L/min)	PSI (bar)	Inch (mm)	LBS kg	Inch	dBA	m/s <sup>2</sup>
3/8"(10)	1900	0.5	5.0(141)	90(6.3)	8-1/4"(211)	2.35 1.07	3/8"	85.0	1.1
3/8"(10)	4000	0.5	5.0(141)	90(6.3)	9"(230)	1.89 0.86	3/8"	85.0	1.6
3/8"(10)	22000	0.5	5.0(141)	90(6.3)	8-9/16"(218)	1.62 0.74	3/8"	85.0	1.2

Free Speed	Avg. Air Consumption	Air Pressure	Overall Length	Motor	Net Weight	Air Hose	Sound Pressure	Vibration Level
R.P.M	CFM (L/min)	PSI (bar)	Inch (mm)	HP	LBS kg	Inch	dBA	m/s <sup>2</sup>
4000	5.0 (141)	90(6.3)	8-5/32"(212)	0.5	3.08 1.40	3/8"	85.0	1.2
4000	5.0 (141)	90(6.3)	8-15/32"(215)	0.5	1.67 0.76	3/8"	85.0	1.2



# AIR IMPACT WRENCH

m7 is the official sponsor of CATERHAM



**PNEUMATIC TOOLS**  
GLOBAL EXPANSION

**New**

PTEN INNOVATION AWARDS 2015

10 pieces in one carton

## NC-4232Q

**1/2" DRIVE AIR IMPACT WRENCH**

Twin Hammer Type  
Air inlet : 1/4"

10 pieces in one carton

**WON PTEN Air tools U.S.A Innovation award 2015**

- + Sophisticated and powerful tool: m7's most advanced composite mini air impact wrench that can use in narrow space.
- + Unbelievable light and compact with only 1.35kg
- + Quiet series: sound pressure only 83 Dba
- + "m7's unique lazy design" that can operate forward/reverse switch with one hand.
- + Twin-hammer impact mechanism provides more torque power and stability, and balanced impact can reduce the vibration.
- + Ergonomic switch design well suited for operator's hand that provides fingers with most comfortability and controllability.
- + m7's unique shark fin shaped body design that creates an esthetics of speed and explosiveness.



	Square Drive	Bolt Capacity	Torque Range	Max Torque	Free Speed	Avg. Air Consumption	Air Pressure	Overall Length	Net Weight	Air Hose	Sound Pressure	Vibration Level
	Inch	Inch (mm)	FT-LB (Nm)	FT-LB Nm	R.P.M	CFM (L/min)	PSI (bar)	Inch (mm)	LBS kg	Inch	dBA	m/s <sup>2</sup>
<b>NC-4232Q</b>	1/2"	5/8"(16)	100-400(136-542)	550 746	10000	4.0(113)	90 (6.3)	4-3/4"(120)	3.0 1.38	3/8"	83.0	3.7



# AIR IMPACT WRENCH



## NC-3610Q

3/8" Drive Air Impact Wrench  
Jumbo Hammer Type  
Air inlet : 1/4"

10 pieces in one carton



- Best in class performance for a tool of just 115.5 mm long and weight 1.5 Kg.
- The minimum size of this tool will allow greater access to tight and limited spaces.
- Small but with greater power. Reach 350-ft-lb in just 5 seconds.
- Low noise sound level 85 db.
- Common application to narrow working place and agricultural maintenance.
- Powerful yet compact

## NC-3111

3/8" Drive Air Impact Wrench  
Pin Clutch Type  
Air inlet : 1/4"

10 pieces in one carton



## NC-3210

3/8" Drive Air Impact Wrench  
Twin Hammer Type  
Air inlet : 1/4"

10 pieces in one carton



## NC-3810

3/8" Drive Air Impact Wrench  
Twin Dog Type  
Air inlet : 1/4"

- Butterfly type forward/reverse trigger
- 180 degree turnaround air inlet
- Three speed adjusting switch

20 pieces in one carton



## NC-3410

3/8" Drive Air Impact Wrench  
Rocking Dog Type  
Air inlet : 1/4"

20 pieces in one carton



## NC-3812

3/8" Drive Air Impact Wrench  
Twin Dog Type  
Air inlet : 1/4"

12 pieces in one carton



## NC-3831

3/8" Drive Air Impact Wrench  
Twin Dog Type  
Air inlet : 1/4"

10 pieces in one carton



	Square Drive	Bolt Capacity	Torque Range	Max Torque	Free Speed	Avg. Air Consumption	Air Pressure	Overall Length	Net Weight	Air Hose	Sound Pressure	Vibration Level
	Inch	Inch (mm)	FT-LB (Nm)	FT-LB Nm	R.P.M	CFM (L/min)	PSI (bar)	Inch (mm)	LBS kg	Inch	dBA	m/s <sup>2</sup>
NC-3111	3/8"	1/2"(13)	70-130(95-176)	160 216	9000	4.0(113)	90 (6.3)	6-7/16" (163)	3.5 1.60	3/8"	93.3	4.1
NC-3210	3/8"	1/2"(13)	100-300(136-407)	350 474	10000	4.0(113)	90 (6.3)	5-5/8" (142)	3.3 1.50	3/8"	92.1	3.6
NC-3410	3/8"	3/8"(10)	5-50(7-68)	75 102	10000	2.5(71)	90 (6.3)	6-1/4" (159)	1.7 0.80	3/8"	92.1	3.6
NC-3610Q	3/8"	1/2"(13)	100-300(136-407)	350 474	8000	4.4(124)	90 (6.3)	4-9/16" (115.5)	3.3 1.50	3/8"	85.0	2.8
NC-3810	3/8"	3/8"(10)	5-50(7-68)	75 102	11000	2.3(65)	90 (6.3)	5-15/32" (139)	1.1 0.50	3/8"	91.0	3.6
NC-3812	3/8"	15/32"(M12)	66-120 (89~162)	180 244	8000	10(283)	90 (6.3)	7-31/64" (190)	2.3 1.06	3/8"	97.0	5.1
NC-3831	3/8"	15/32"(M12)	80-120 (108~162)	180 244	8000	10(283)	90 (6.3)	7-9/32" (185)	2.8 1.30	3/8"	93.0	4.9



# AIR IMPACT WRENCH

**PNEUMATIC TOOLS**  
GLOBAL EXPANSION

★★★ **New**  
**NC-3910**

**3/8" Drive Air Impact Wrench** Twin Dog Type  
Air inlet : 1/4"  
12 pieces in one carton



★★★ **New**  
**NC-3911**

**3/8" Drive Air Impact Wrench** Twin Dog Type  
Air inlet : 1/4"  
12 pieces in one carton



★★★ **NC-4210**

**1/2" Drive Air Impact Wrench** Twin Hammer Type  
Air inlet : 1/4"  
10 pieces in one carton



**64% Lighter**  
**30% Shorter**  
Compare With ordinary models

★★★ **NC-4213/4223**

**1/2" Drive Air Impact Wrench** Twin Hammer Type  
Air inlet : 1/4"  
**NC-4223 is equipped with 2" extended anvil**  
10 pieces in one carton  
• Common applications are tyre lanes, heavy maintenance.



★★★ **NC-4231Q**

**1/2" Drive Air Composite Impact Wrench**  
Twin Hammer Type  
Air inlet : 1/4"  
10 pieces in one carton

- Rotor blades attached with springs which prolong durability.
- Shorter air inlet path to boost air efficiency.
- Simple mechanism for easy maintenance.
- Air inlet 360 degree swivel.
- 450ft/lb Composite material lightest Model



★★★ **NC-4217**

**1/2" Drive Air Impact Wrench** Twin Hammer Type  
Air inlet : 1/4"  
• Common applications include overall automotive service and tyre lanes.



★★★ **NC-4212/4222**

**1/2" Drive Air Impact Wrench** Twin Hammer Type  
Air inlet : 1/4"  
**NC-4222 is equipped with 2" extended anvil**



	Square Drive	Bolt Capacity	Torque Range	Max Torque	Free Speed	Avg. Air Consumption	Air Pressure	Overall Length	Net Weight	Air Hose	Sound Pressure	Vibration Level
	Inch	Inch (mm)	FT-LB (Nm)	FT-LB Nm	R.P.M	CFM (L/min)	PSI (bar)	Inch (mm)	LBS kg	Inch	dBA	m/s <sup>2</sup>
NC-3910	3/8"	5/16"(8)	5-37(7-50)	70 95	8500	8.5(240)	90 (6.3)	10-7/16"(265)	3.5 1.60	3/8"	90.0	5.1
NC-3911	3/8"	3/8"(10)	5-44(7-60)	100 135	7000	7.0(198)	90 (6.3)	9-7/16"(240)	3.5 1.60	3/8"	92.0	5.1
NC-4210	1/2"	5/8"(16)	150-350(203-475)	400 542	10000	4.2(119)	90 (6.3)	5-5/8"(142)	3.5 1.60	3/8"	90.6	2.8
NC-4217	1/2"	5/8"(16)	150-320(203-434)	400 542	7000	4.2(119)	90(6.3)	7-1/4"(184)	5.6 2.50	3/8"	92.1	3.7
NC-4212	1/2"	5/8"(16)	150-300(203-407)	550 746	7000	4.0(113)	90(6.3)	7-13/64"(182)	6.2 2.80	3/8"	86.1	3.7
NC-4222	1/2"	5/8"(16)	150-300(203-407)	550 746	7000	4.0(113)	90(6.3)	9-13/64"(233)	6.6 3.00	3/8"	86.1	3.7
NC-4213	1/2"	5/8"(16)	180-400( 244-542)	600 813	6500	4.2(119)	90(6.3)	7-3/16"(182)	6.2 2.80	3/8"	91.0	3.8
NC-4223	1/2"	5/8"(16)	180-400( 244-542)	600 813	6500	4.2(119)	90(6.3)	9-1/4"(232)	6.4 2.90	3/8"	91.0	3.8
NC-4231Q	1/2"	5/8"(16)	200-350(271-475)	450 610	10000	4.2(120)	90(6.3)	6-5/16"(160)	2.8 1.30	3/8"	83.0	3.0



# AIR IMPACT WRENCH

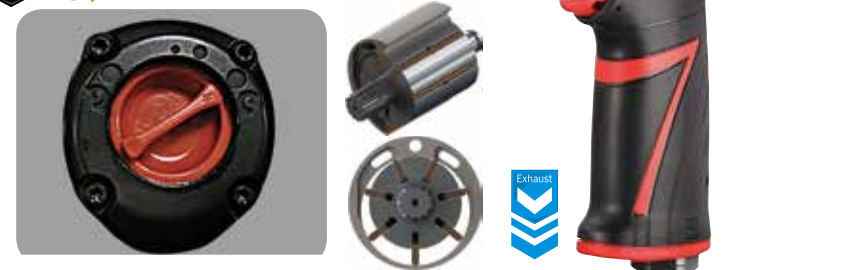


## NC-4233Q

1/2" Drive Air Composite Impact Wrench

Twin Hammer Type  
Air inlet : 1/4"  
8 pieces in one carton

**45%**  
Lighter



- Rotor blades attached with springs which prolong durability.
- Shorter air inlet path to boost air efficiency
- simple mechanism for easy maintenance
- Air inlet 360 degree swivel.
- Composite material light design
- 3 setting forward power regulator for controlled run up.

## NC-4216 / 4226

1/2" Drive Air Composite Impact Wrench

Twin Hammer Type  
Air inlet : 1/4"  
NC-4226 is equipped with 2" extended anvil  
• Composite material



**45%**  
Lighter

10 pieces in one carton

## NC-4230 / 4240 NC-4230Q

1/2" Drive Air Impact Wrench

Twin Hammer Type  
Air inlet : 1/4"  
NC-4240 is equipped with 2" extended anvil



8 pieces in one carton



## NC-4236 NC-4236Q

1/2" Drive Air Impact Wrench  
Twin Hammer Type  
Air inlet : 1/4"  
8 pieces in one carton

- Ultimate power reach 1000 ft-lb under 5 seconds
- Dose the toughest job efficiently with durability & quality
- Common applications include Tyre Lanes and Light HGV Maintenance.
- Easy to remove vehicle's crankshaft pulley without removing anything else.

**60%**  
more  
Powerful



## NC-4250Q

1/2" Drive Air Impact Wrench

Twin Hammer Type  
Air inlet : 1/4"  
10 pieces in one carton



## NC-4258

1/2" Drive Air Impact Wrench

Twin Hammer Type  
Air inlet : 1/4"  
8 pieces in one carton



	Square Drive Inch	Bolt Capacity Inch (mm)	Torque Range FT-LB (Nm)	Max Torque FT-LB Nm	Free Speed R.P.M	Avg. Air Consumption CFM (L/min)	Air Pressure PSI (bar)	Overall Length Inch (mm)	Net Weight LBS kg	Air Hose Inch	Sound Pressure dBA	Vibration Level m/s <sup>2</sup>
NC-4216	1/2"	5/8"(16)	180-400(244-542)	650 881	9000	4.2(119)	90(6.3)	7-3/4"(195)	4.4 2.00	3/8"	93.9	4.5
NC-4226	1/2"	5/8"(16)	180-400(244-542)	650 881	9000	4.2(119)	90(6.3)	8-7/8"(225)	4.8 2.20	3/8"	93.9	4.5
NC-4233Q	1/2"	3/4"(19)	200-500(271-678)	850 1152	9000	4.6(132)	90(6.3)	7-1/2"(190)	4.6 2.10	3/8"	85.0	4.4
NC-4230	1/2"	3/4"(19)	180-500(244-678)	700 949	7500	4.5(127)	90(6.3)	6-15/32"(164)	5.5 2.50	3/8"	87.0	4.5
NC-4240	1/2"	3/4"(19)	180-500(244-678)	700 949	7500	4.5(127)	90(6.3)	8-15/32"(215)	5.7 2.60	3/8"	87.0	4.5
NC-4230Q	1/2"	3/4"(19)	180-500(244-678)	650 881	6500	4.5(127)	90(6.3)	6-15/32"(164)	5.5 2.50	3/8"	85.0	4.5
NC-4236	1/2"	1(25)	200-700(271-949)	1000 1356	7500	5.5(155)	90(6.3)	6-45/64"(171)	5.7 2.60	3/8"	87.0	4.5
NC-4236Q	1/2"	1(25)	200-700(271-949)	1000 1356	7500	5.5(155)	90(6.3)	6-45/64"(171)	5.7 2.60	3/8"	83.0	4.5
NC-4250Q	1/2"	5/8"(16)	200-350(271-475)	450 610	9000	4.4(124)	90(6.3)	4-15/16"(125)	3.5 1.60	3/8"	83.0	4.5
NC-4258	1/2"	5/8"(16)	150-300(203-407)	400 542	7000	4.2(119)	90(6.3)	7-1/4"(185)	5.6 2.50	3/8"	93.2	4.4





MAGNESIUM ALLOY.

**1.7** kg  
Net Weight

**1627** Nm  
MAX TORQUE



★★★ **NC-42550**  
**NC-42650**

1/2" Drive Air Impact Wrench Twin Hammer Type  
Air inlet : 1/4"

- The front housing & back head cover made by magnesium alloy.
- Durability composite material.

NC-4265Q is equipped with 2" extended anvil

8 pieces in one carton

★★★ **NC-4610**  
**NC-4610Q**

1/2" Drive Air Impact Wrench Jumbo Hammer Type  
Air inlet : 1/4"

- Best in class performance for a tool of just 115.5 mm long and weight 1.6 Kg.
- The minimum size of this tool will allow greater access to tight and limited spaces.
- Small but with greater power. Reach 450-ft-lb in just 5 seconds.
- Low noise sound level 85 db.
- Common application to narrow working place and Agricultural maintenance.
- Powerful yet compact

10 pieces in one carton

**64%**  
Lighter

**60%**  
Shorter

Compare With ordinary models



**PNEUMATIC TOOLS**  
GLOBAL EXPANSION



★★★ **NC-4256**  
**NC-4256Q**  
**NC-4266Q**

1/2" Drive Air Impact Wrench Twin Hammer Type  
Air inlet : 1/4"

- Light weight 1.8kg
- Balanced weighted body that offers comfort feeling

NC-4266Q is equipped with 2" extended anvil

10 pieces in one carton



★★★ **NC-4611Q**

1/2" Drive Air Impact Wrench Jumbo Hammer Type  
Air inlet : 1/4"

- m7 3rd generation super mini in length **111** mm.

10 pieces in one carton



★★★ **NC-4620QN**

1/2" Drive Air Impact Wrench Jumbo Hammer Type  
Air inlet : 1/4"

- 1/4" Extended Anvil matching special double sided socket 17mm&19mm and 21mm&22mm specifically for automotive tyres.
- Reduce physical loading 40%.

10 pieces in one carton



	Square Drive Inch	Bolt Capacity Inch (mm)	Torque Range FT-LB (Nm)	Max Torque FT-LB Nm	Free Speed R.P.M	Avg. Air Consumption CFM (L/min)	Air Pressure PSI (bar)	Overall Length Inch (mm)	Net Weight LBS kg	Air Hose Inch	Sound Pressure dBA	Vibration Level m/s <sup>2</sup>
NC-4255Q	1/2"	1"(25)	200-800(271-1085)	1200 1627	8500	4.8(136)	90(6.3)	7-1/32"(179)	3.7 1.70	3/8"	85.0	4.7
NC-4265Q	1/2"	1"(25)	200-800(271-1085)	1200 1627	8500	4.8(136)	90(6.3)	9-1/32"(230.5)	4.0 1.80	3/8"	85.0	4.7
NC-4256	1/2"	1"(25)	200-900(271-1220)	1100 1491	9000	5.1(144)	90(6.3)	5-9/16"(141)	4.0 1.80	3/8"	95.0	2.8
NC-4256Q	1/2"	1"(25)	200-900(271-1220)	1000 1356	7000	5.1(144)	90(6.3)	5-9/16"(141)	4.0 1.80	3/8"	85.0	2.8
NC-4266Q	1/2"	1"(25)	200-900(271-1220)	1100 1491	9000	5.1(144)	90(6.3)	7-9/16"(191)	4.2 1.90	3/8"	85.0	2.8
NC-4610	1/2"	5/8"(16)	200-350(271-475)	450 610	9000	4.4(124)	90 (6.3)	4-9/16"(115.5)	3.5 1.60	3/8"	93.0	2.8
NC-4610Q	1/2"	5/8"(16)	200-350(271-475)	400 542	9000	4.4(124)	90 (6.3)	4-9/16"(115.5)	3.5 1.60	3/8"	85.0	2.8
NC-4611Q	1/2"	5/8"(16)	200-350(271-475)	450 610	10000	4.0(113)	90(6.3)	4-3/8"(111)	3.3 1.50	3/8"	85.0	2.8
NC-4620QN	1/2"	5/8"(16)	200-350(271-475)	450 610	9000	4.4(124)	90(6.3)	6-9/16"(166)	3.7 1.70	3/8"	85.0	2.8



# AIR IMPACT WRENCH



## NC-4630 NC-4630Q

LENGTH 97 MM  
AIR TOOL  
**4TH SHARK**  
GENERATION

1/2" Drive Air Impact Wrench Jumbo Hammer Type  
Air inlet : 1/4"

**68%**  
Lighter

**60%**  
Shorter

Compare With ordinary models

10 pieces in one carton



## NC-4811 **New**

1/2" Drive Air Impact Wrench Twin Dog Type  
Air inlet : 1/4"

12 pieces in one carton



## NE-399/499

3/8" & 1/2" Drive Air Angle Impact Wrench

Air inlet : 1/4"

8 pieces in one carton

- Max. torque 250ft-lb.
- Forward & reverse ring control.
- Composite rubber covered grip to increase holding feel.
- Jumbo-hammer mechanism.



67mm



## NE-462

1/2" Drive Air Angle Impact Wrench

Air inlet : 1/4" Pin Clutch Type

10 pieces in one carton

- Pin-Clutch design mechanism generates 100 Nm torque output.
- Fasten to Stop design provides comfortable feel.



## NE-499N [SET]

1/2" Drive Air Angle Impact Wrench

Air inlet : 1/4"

8 pieces in one carton

- Air Angle Impact Wrench : 1pc (NE-499)
- Stubby impact sockets, 6 points : 9pcs 9, 10, 11, 13, 14, 17, 19, 22, 24 mm
- 1/4" plug : 1pc



## NC-4210N

1/2" Drive Air Impact Wrench

Twin Hammer Type  
Air inlet : 1/4"

- stubby impact sockets, 6 points: 5pcs 13, 17, 19, 22, 24 mm

10 pieces in one carton



## NC-4610N

1/2" Drive Air Impact Wrench

Jumbo Hammer Type  
Air inlet : 1/4"

- stubby impact sockets, 6 points: 5pcs 13, 17, 19, 22, 24 mm

10 pieces in one carton



	Square Drive	Bolt Capacity	Torque Range	Max Torque	Free Speed	Avg. Air Consumption	Air Pressure	Overall Length	Net Weight	Air Hose	Sound Pressure	Vibration Level
	Inch	Inch (mm)	FT-LB (Nm)	FT-LB Nm	R.P.M	CFM (L/min)	PSI (bar)	Inch (mm)	LBS kg	Inch	dBA	m/s <sup>2</sup>
NC-4610N	1/2"	5/8"(16)	200-350(271-475)	450	610	9000	4.4(124)	4-9/16"(115.5)	3.5 1.60	3/8"	93.0	2.8
NC-4210N	1/2"	5/8"(16)	150-350(203-475)	400	542	10000	4.2(119)	5-5/8"(142)	3.5 1.60	3/8"	90.6	2.8
NC-4630	1/2"	5/8"(16)	200-350(271-475)	450	610	9000	4.4(124)	3-27/32"(97)	3.3 1.50	3/8"	96.0	2.8
NC-4630Q	1/2"	5/8"(16)	200-350(271-475)	450	610	9000	4.4(124)	3-27/32"(97)	3.3 1.50	3/8"	85.0	2.8
NC-4811	1/2"	9/16"(M14)	118-140 (160-189)	210	285	5500	8.5(240)	10-9/32" (260)	3.7 1.70	3/8"	85.0	5.3
NE-462	1/2"	-----	10-55(13.5-74)	74	100	200	4.0(113.28)	13"(330)	4.1 1.88	3/8"	84.0	2.5
NE-499	1/2"	9/16"(14)	50-150(68-203)	250	339	7500	2.45(69.4)	13-3/8"(340)	4.0 1.83	3/8"	93.0	9.9
NE-399	3/8"	1/2"(13)	50-130(68-176)	180	244	7500	2.45(69.4)	13-3/8"(340)	4.0 1.83	3/8"	93.0	9.9



# AIR IMPACT WRENCH



**NC-6236**  
**NC-6236Q**  
 3/4" Drive Air Impact Wrench  
 Twin Hammer Type  
 Air inlet : 1/4"  
 8 pieces in one carton

- Ultimate power reach 1200 ft-lb under 5seconds
- Does the toughest job efficiently with industrial level quality & durability.



**33%**  
Lighter



**NC-6210/6220**  
**NC-6210Q**  
 3/4" Drive Air Impact Wrench  
 Twin Hammer Type  
 Air inlet : 1/4"  
 NC-6220 is equipped with 6" extended anvil  
 8 pieces in one carton

**76%**  
Lighter



**PNEUMATIC TOOLS**  
GLOBAL EXPANSION



**NC-6213**  
 3/4" Drive Air Impact Wrench  
 Twin Hammer Type  
 Air inlet : 3/8"  
 • Composite material

**12%**  
Lighter



5 pieces in one carton



**NC-6255Q**  
 3/4" Drive Air Impact Wrench  
 Twin Hammer Type  
 Air inlet : 1/4"  
 • Light weight 1.9kg  
 • The front housing & back head cover made by magnesium alloy  
 • Durability composite material  
 8 pieces in one carton

8 pieces in one carton



**NC-6217**  
 3/4" Drive Air Impact Wrench  
 Twin Hammer Type  
 Air inlet : 3/8"

- Alloy steel forward/reverse switch
- torque output 1400ft-lb reached in 5 seconds
- Special Alloy Steel impact mechanism to keep longer life time.

4 pieces in one carton



**NC-6113/6123**  
 3/4" Drive Air Impact Wrench  
 Pin Clutch Type  
 Air inlet : 1/4"  
 NC-6123 is equipped with 6" extended anvil  
 • Common applications include maintenance of buses, trucks, farm machinery and construction equipment.

4 pieces in one carton



	Square Drive	Bolt Capacity	Torque Range	Max Torque	Free Speed	Avg. Air Consumption	Air Pressure	Overall Length	Net Weight	Air Hose	Sound Pressure	Vibration Level
	Inch	Inch (mm)	FT-LB (Nm)	FT-LB Nm	R.P.M	CFM (L/min)	PSI (bar)	Inch (mm)	LBS kg	Inch	dBA	m/s²
NC-6113	3/4"	1"(25)	150-600(203-814)	850 1153	4500	7.0(198)	90(6.3)	10"(252)	10.1 4.60	1/2"	94.3	7.2
NC-6123	3/4"	1"(25)	150-600(203-814)	850 1153	4500	7.0(198)	90(6.3)	14-3/16" (360)	11.6 5.30	1/2"	94.3	7.2
NC-6217	3/4"	1-1/4"(30)	200-1300(271-1762)	1400 1898	4800	5.4(153)	90(6.3)	8-15/32" (215)	11.0 5.00	1/2"	92.0	6.1
NC-6213	3/4"	1-1/16"(27)	200-1000(271-1356)	1200 1627	6000	6.9(195)	90(6.3)	9-7/16" (239)	8.5 3.88	1/2"	92.0	5.0
NC-6236	3/4"	1"(25)	200-900(271-1220)	1200 1627	7500	5.5(155)	90(6.3)	6-45/64" (171)	5.9 2.68	3/8"	87.0	4.5
NC-6236Q	3/4"	1"(25)	200-900(271-1220)	1200 1627	7500	5.5(155)	90(6.3)	6-45/64" (171)	5.9 2.68	3/8"	83.0	4.5
NC-6210	3/4"	3/4"(19)	180-600(244-810)	750 1017	7500	4.5(127)	90(6.3)	6-45/64" (170)	5.6 2.55	3/8"	87.0	4.5
NC-6210Q	3/4"	3/4"(19)	180-600(244-810)	750 1017	6500	4.5(127)	90(6.3)	6-45/64" (170)	5.6 2.55	3/8"	85.0	4.5
NC-6220	3/4"	3/4"(19)	180-600(244-810)	750 1017	6500	4.5(127)	90(6.3)	12-23/32" (323)	6.7 3.08	3/8"	85.0	4.5
NC-6255Q	3/4"	1"(25)	200-1100(271-1491)	1400 1890	8500	4.8(136)	90(6.3)	7-13/16" (198)	4.2 1.90	3/8"	85.0	4.7



# AIR IMPACT WRENCH



## NC-6216 / 6226

3/4" Drive Air Impact Wrench New Twin Hammer Type  
Air inlet : 3/8"

NC-6226 is equipped with 6" extended anvil

- Composite material

4 pieces in one carton

**10%**  
Lighter



## NC-6215 / 6225

3/4" Drive Air Impact Wrench New Twin Hammer Type  
Air inlet : 1/4"

NC-6225 is equipped with 6" extended anvil

4 pieces in one carton



## NC-6218

3/4" Drive Air Impact Wrench Twin Hammer Type  
Air inlet : 1/2"

2 pieces in one carton



## NC-8212

1" Drive Air Impact Wrench New Twin Hammer Type  
Air inlet : 3/8"

- Composite material



4 pieces in one carton



## NC-8217

1" Drive Air Impact Wrench Twin Hammer Type  
Air inlet : 3/8"



4 pieces in one carton



## NC-8219

1" Drive Air Impact Wrench New Twin Hammer Type  
Air inlet : 1/2"



2 pieces in one carton



## NC-8237

1" Drive Air Impact Wrench Twin Hammer Type  
Air inlet : 3/8"

- Light weight 5.7kg



4 pieces in one carton

	Square Drive	Bolt Capacity	Torque Range	Max Torque	Free Speed	Avg. Air Consumption	Air Pressure	Overall Length	Net Weight	Air Hose	Sound Pressure	Vibration Level	
	Inch	Inch (mm)	FT-LB (Nm)	FT-LB Nm	R.P.M	CFM (L/min)	PSI (bar)	Inch (mm)	LBS kg	Inch	dBA	m/s²	
NC-6215	3/4"	1"(25)	180-600(244-810)	900	1220	6500	7.0(198)	9-7/32" (234)	10.0	4.50	1/2"	91.5	10.8
NC-6225	3/4"	1"(25)	180-600(244-810)	900	1220	6500	7.0(198)	13-3/4" (350)	10.8	4.90	1/2"	91.5	10.8
NC-6216	3/4"	1-1/16"(27)	200-1000(271-1356)	1200	1627	6000	6.0(170)	9-1/4" (235)	9.0	4.10	1/2"	91.2	5.0
NC-6226	3/4"	1-1/16"(27)	200-1000(271-1356)	1200	1627	6000	6.0(170)	13-3/4" (350)	9.9	4.50	1/2"	91.2	5.0
NC-6218	3/4"	1-1/16"(27)	200-1400(271-1898)	1500	2034	6000	6.34(182)	12-9/16"(320)	12.5	5.70	1/2"	106.0	3.3
NC-8212	1"	1-1/16"(27)	200-1000(271-1356)	1300	1762	6000	6.0(170)	9-1/4"(235)	9.6	4.40	1/2"	91.2	5.0
NC-8217	1"	1-1/4"(30)	200-1300(271-1762)	1500	2034	4800	5.4(153)	8-3/4"(222)	11.0	5.00	1/2"	92.0	6.1
NC-8219	1"	1-7/16"(36)	200-1600(271-2170)	1800	2441	4000	11.0(311)	12-13/32"(315)	21.6	9.84	1/2"	103.4	16.7
NC-8237	1"	1-3/8"(33)	200-1500(271-2034)	1800	2441	4500	5.4(153)	8-3/4"(222)	12.8	5.70	1/2"	92.0	6.1



# AIR IMPACT WRENCH



## NC-8216 / 8226

**1" Drive Air Impact Wrench** Twin Hammer Type  
Air inlet : 1/2"

NC-8226 is equipped with 6" extended anvil

**48%**  
Lighter

2 pieces in one carton



## NC-8211 / 8221

**1" Drive Air Impact Wrench** Twin Hammer Type  
Air inlet : 1/2"

NC-8221 is equipped with 6" extended anvil

1 piece in one carton



## NC-8242 / 8242-8

**1" Drive Air Impact Wrench** Twin Hammer Type  
Air inlet : 1/2"

NC-8242-8 is equipped with 8" extended anvil

2 piece in one carton NC-8242  
1 piece in one carton NC-8242-8

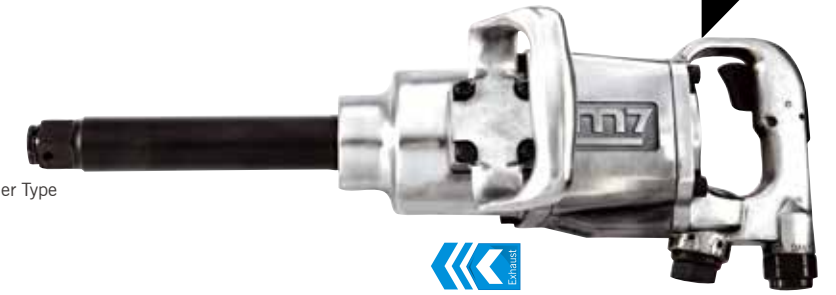


## NC-8232

**1" Drive Air Impact Wrench** New Twin Hammer Type  
Air inlet : 1/2"

NC-8232 is equipped with 6" extended anvil

1 pieces in one carton



## NC-8252 / 8262

**1" Drive Air Impact Wrench** Twin Hammer Type  
Air inlet : 1/2"

NC-8262 is equipped with 6" extended anvil

1 piece in one carton

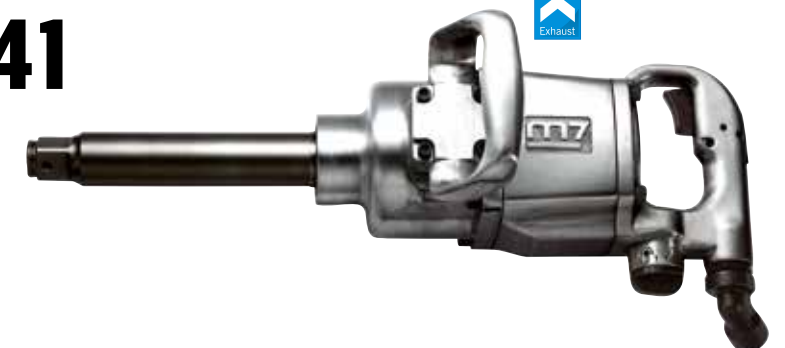


## NC-8321 / 8341

**1" Drive Air Impact Wrench** Pin Less Type  
Air inlet : 1/2"

NC-8341 is equipped with 6" extended anvil

1 pieces in one carton



	Square Drive	Bolt Capacity	Torque Range	Max Torque	Free Speed	Avg. Air Consumption	Air Pressure	Overall Length	Net Weight	Air Hose	Sound Pressure	Vibration Level
	Inch	Inch (mm)	FT-LB (Nm)	FT-LB Nm	R.P.M	CFM (L/min)	PSI (bar)	Inch (mm)	LBS kg	Inch	dBA	m/s <sup>2</sup>
NC-8216	1"	1-3/8"(33)	200-1600(271-2170)	1800 2441	6000	9.0(254)	90(6.3)	13-1/2"(343)	15.5 7.00	1/2"	102.0	9.3
NC-8226	1"	1-3/8"(33)	200-1600(271-2170)	1800 2441	6000	9.0(254)	90(6.3)	19-3/16"(487)	18.4 8.40	1/2"	102.0	9.3
NC-8211	1"	1-3/8"(33)	200-1600(271-2170)	1800 2441	5000	10.0(284)	90(6.3)	14-8/15"(370)	22.2 10.10	1/2"	100.0	10.0
NC-8221	1"	1-3/8"(33)	200-1600(271-2170)	1800 2441	5000	10.0(284)	90(6.3)	20-7/8"(530)	25.2 11.50	1/2"	100.0	10.0
NC-8242	1"	1-9/16"(40)	200-2000(271-2710)	2500 3390	5000	15.9(450)	90(6.3)	14-17/32"(370)	23.1 10.50	1/2"	100.0	6.4
NC-8242-8	1"	1-9/16"(40)	200-2000(271-2710)	2500 3390	5000	15.9(450)	90(6.3)	22-15/32"(570)	26.2 11.90	1/2"	100.0	6.4
NC-8252	1"	1-7/16"(36)	200-2000(271-2170)	2400 3250	4000	10.0(284)	90(6.3)	15-3/8"(390)	26.6 12.10	1/2"	100.0	10.0
NC-8262	1"	1-7/16"(36)	200-2000(271-2170)	2400 3250	4000	10.0(284)	90(6.3)	22"(560)	29.7 13.50	1/2"	100.0	10.0
NC-8232	1"	1-7/16"(36)	200-1600(271-2170)	1800 2441	4000	11.0(311)	90(6.3)	20-13/32"(518)	24.8 11.30	1/2"	102	11.5
NC-8321	1"	1-3/8"(33)	200-1600(271-2170)	1800 2441	4000	11.5(325)	90(6.3)	15"(380)	24.0 10.90	1/2"	97.0	6.3
NC-8341	1"	1-3/8"(33)	200-1600(271-2170)	1800 2441	4000	11.5(325)	90(6.3)	20"(510)	27.6 12.50	1/2"	97.0	6.3



# AIR IMPACT WRENCH



## NC-8382 NC-8382-8

1" Drive Air Impact Wrench  
Pin Less Type  
Air inlet : 1/2"

**38%** more Powerful  
**40%** Lighter

Compare With ordinary models

NC-8382-8 is equipped with 8" extended anvil



- Max. torque 2500 ft-lb (reverse in 5 seconds).
- Weight 30% less comparing with equal torque output models to reduce physical loading 30%.
- Torque output 38% higher comparing with equal weight models, such as NC-8341.
- Two-stage trigger for easier operation.

2 piece in one carton NC-8382  
1 piece in one carton NC-8382-8

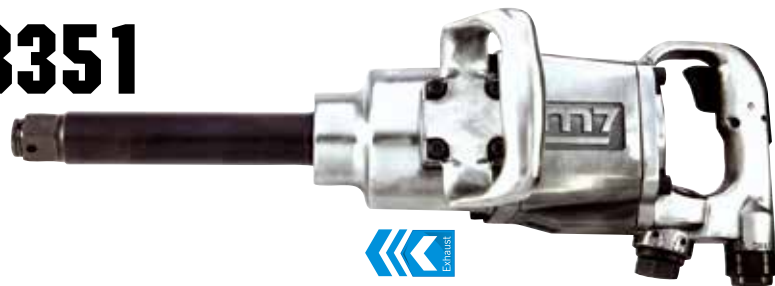


## NC-8311/8351

1" Drive Air Impact Wrench  
Pin Less Type  
Air inlet : 1/2"

NC-8351 is equipped with 6" extended anvil

2 pieces in one carton



## NC-8322/8342

1" Drive Air Impact Wrench  
Pin Less Type  
Air inlet : 1/2"

NC-8342 is equipped with 8" extended anvil

1 pieces in one carton



## NC-8362/8372

1" Drive Air Impact Wrench  
Pin Less Type  
Air inlet : 1/2"

NC-8372 is equipped with 6" extended anvil

1 pieces in one carton



## NC-9223/9243

1-1/2" Drive Air Impact Wrench  
New Twin Hammer Type  
Air inlet : 1/2"

- Common applications include Energy and Gas Maintenance and Manufacturing.

NC-9243 is equipped with 8" extended anvil

1 piece in one carton



	Square Drive	Bolt Capacity	Torque Range	Max Torque	Free Speed	Avg. Air Consumption	Air Pressure	Overall Length	Net Weight	Air Hose	Sound Pressure	Vibration Level
	Inch	Inch (mm)	FT-LB (Nm)	FT-LB Nm	R.P.M	CFM (L/min)	PSI (bar)	Inch (mm)	LBS kg	Inch	dBA	m/s <sup>2</sup>
NC-8382	1"	1-3/8"(33)	200-2000(271-2710)	2500 3390	5000	15.9(450)	90(6.3)	14-17/32"(370)	22.0 11.00	1/2"	100.0	6.4
NC-8382-8	1"	1-3/8"(33)	200-2000(271-2710)	2500 3390	5000	15.9(450)	90(6.3)	22-15/32"(570)	27.5 12.50	1/2"	100.0	6.4
NC-8311	1"	1-3/8" (33)	200-1600(271-2170)	1800 2441	4000	11.5(325)	90(6.3)	15" (380)	24.0 10.90	1/2"	101.0	7.3
NC-8351	1"	1-3/8" (33)	200-1600(271-2170)	1800 2441	4000	11.5(325)	90(6.3)	20" (510)	27.6 12.50	1/2"	101.0	7.3
NC-8322	1"	1-7/16" (36)	200-2000(271-2170)	2500 3390	3300	11.0(311)	90(6.3)	17-5/16" (440)	34.2 15.50	1/2"	93.9	8.8
NC-8342	1"	1-7/16" (36)	200-2000(271-2170)	2500 3390	3300	11.0(311)	90(6.3)	24-3/8" (619)	38.0 17.30	1/2"	93.9	8.8
NC-8362	1"	1-7/16" (36)	200-2000(271-2170)	2500 3390	3700	11.0(284)	90(6.3)	17-7/8" (455)	35.2 16.00	1/2"	93.9	8.8
NC-8372	1"	1-7/16" (36)	200-2000(271-2170)	2500 3390	3700	11.0(284)	90(6.3)	24-7/32" (615)	38.7 17.60	1/2"	93.9	8.8
NC-9223	1-1/2"	2"(50)	200-3000(271-4065)	3500 4746	3000	16.0(453)	90(6.3)	17-3/4" (450)	43.2 19.70	3/4"	104.5	8.8
NC-9243	1-1/2"	2"(50)	200-3000(271-4065)	3500 4746	3000	16.0(453)	90(6.3)	24-1/4" (616)	50.2 22.8	3/4"	104.5	8.8



# AIR IMPACT WRENCH

## NC-0410 [SET]

1/2" Drive Air Impact Wrench 10PCS

- 1pc - Air Impact Wrench
- 5pcs - Impact sockets, 6 points, standard length 11, 13 mm, deep version 17, 19, 21mm
- 1pc - Extension bar 3"
- 1pc - Mini Oiler 1/4" female x 1/4" male
- 1pc - 1/4" plug
- 1pc - Oil box

4 pieces in one carton



NC-0410M0 NC-4212  
NC-0410M2 NC-4217  
NC-0410M3 NC-4258



## NC-0415 [SET]

1/2" Drive Air Impact Wrench 15PCS

- 1pc-1/2" Air Impact Wrench
- 10pcs-Impact sockets, 6 points, standard length 9, 10, 11, 13, 14, 17, 19, 22, 24, 27mm
- 1pc-Extension bar 5"
- 1pc-Allen Key : 4mm
- 1pc-Mini Oiler 1/4" female x 1/4" male
- 1pc-1/4" plug

5 pieces in one carton



NC-0425M0 NC-4212  
NC-0425M2 NC-4216  
NC-0425M4 NC-4230  
NC-0415M6 NC4217  
NC-0415M4 NC-4213



## NC-0615 [SET]

3/4" Drive Air Impact Wrench 15PCS

- 1pc-3/4" Air Impact Wrench
- 8pcs-Impact sockets, 6 points, standard length 26, 27, 29, 30, 32, 35, 36, 38mm
- 1pc-Extension bar 7"
- 1pc-Universal Joint
- 2pcs-Allen Key : 4mm, 5mm
- 1pc-Mini Oiler 1/4"-6113,6215, 3/8"-6216
- 1pc-1/4" plug - 6113.6215, 3/8" plug - 6216
- 1pc-O-Ring&Pin

2 pieces in one carton



NC-0615M0 NC-6113  
NC-0615M1 NC-6216  
NC-0615M2 NC-6215

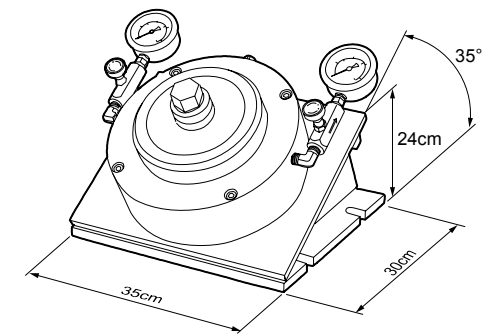


## ZT-13-1 Forward ZT-13-2 Reverse

Torque Test Machine

Torque testing for maintaining pneumatic impact wrenches

- Applicable Range: 50ft-lb~2000ft-lb(70Nm~2700Nm)
- Max. Torque: 3500 ft-lb(5000Nm)
- Applicable Size:SQ.DR-1/2" ~3/4"
- Measuring Direction:ZT-13-1Forward/ZT-13-2Reverse
- Screw Size:M32
- Length x Width:35cm\*30cm
- Weight:49KG

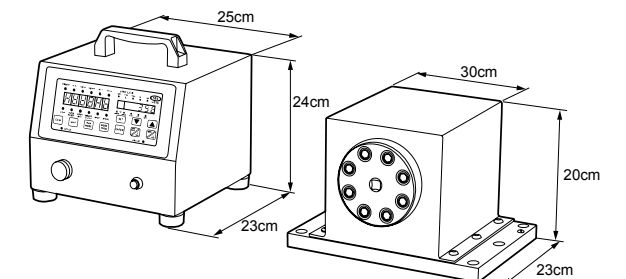


## ZT-13-3

Digital Torque Tester ( Electric Type )

For testing and maintaining pneumatic impact wrenches

- Applicable Range:90ft-lb~1800ft-lb(125Nm~2500Nm)
- Square Drive:SQ.DR-1/2" ~ 3/4"
- Applicable Voltage:110V~220V
- Measuring Direction:Forward/Reverse
- Length x Width:55cm\*23cm
- Weight:32KG






# REPAIR KIT


Replacement Parts

**NC-3111K01**




Anvil Ass'y	Hammer	Rotor Blade	Gasket	O-Ring	Muffler Elemen
Rubber Grip	Retaining Ring	Washer	Motor Clamp Washer	Cylinder Dowel	Rubber Cap

**NC-3210K01**




Anvil Ass'y	Hammer	Rotor Blade	Gasket	O-Ring	Muffler Elemen
Rubber Grip	Retaining Ring	Washer	Motor Clamp Washer	Cylinder Dowel	Rubber Cap

**NC-3610QK01**




Anvil Ass'y	Hammer	Rotor Blade	Gasket	O-Ring	Muffler Elemen
Rubber Grip	Retaining Ring	Washer	Motor Clamp Washer	Cylinder Dowel	Rubber Cap

**NC-3611QK01**



Anvil Ass'y	Hammer	Rotor Blade	Gasket	O-Ring	Muffler Elemen
Rubber Grip	Retaining Ring	Washer	Motor Clamp Washer	Cylinder Dowel	Rubber Cap

**NC-4216K01**




Anvil Ass'y	Hammer	Rotor Blade	Gasket	O-Ring	Muffler Elemen
Rubber Grip	Retaining Ring	Washer	Motor Clamp Washer	Cylinder Dowel	Rubber Cap

**NC-4217K01**




Anvil Ass'y	Hammer	Rotor Blade	Gasket	O-Ring	Muffler Elemen
Rubber Grip	Retaining Ring	Washer	Motor Clamp Washer	Cylinder Dowel	Rubber Cap

**NC-4258K01**




Anvil Ass'y	Hammer	Rotor Blade	Gasket	O-Ring	Muffler Elemen
Rubber Grip	Retaining Ring	Washer	Motor Clamp Washer	Cylinder Dowel	Rubber Cap

**NC-4233K01**



Anvil Ass'y	Hammer	Rotor Blade	Gasket	O-Ring	Muffler Elemen
Rubber Grip	Retaining Ring	Washer	Motor Clamp Washer	Cylinder Dowel	Rubber Cap

**NC-4210K01**




Anvil Ass'y	Hammer	Rotor Blade	Gasket	O-Ring	Muffler Elemen
Rubber Grip	Retaining Ring	Washer	Motor Clamp Washer	Cylinder Dowel	Rubber Cap

**NC-4213K01**




Anvil Ass'y	Hammer	Rotor Blade	Gasket	O-Ring	Muffler Elemen
Rubber Grip	Retaining Ring	Washer	Motor Clamp Washer	Cylinder Dowel	Rubber Cap

**NC-4236K01**




Anvil Ass'y	Hammer	Rotor Blade	Gasket	O-Ring	Muffler Elemen
Rubber Grip	Retaining Ring	Washer	Motor Clamp Washer	Cylinder Dowel	Rubber Cap

**NC-4611QK01**




Anvil Ass'y	Hammer	Rotor Blade	Gasket	O-Ring	Muffler Elemen
Rubber Grip	Retaining Ring	Washer	Motor Clamp Washer	Cylinder Dowel	Rubber Cap

**NC-4610QK01**



Anvil Ass'y	Hammer	Rotor Blade	Gasket	O-Ring	Muffler Elemen
Rubber Grip	Retaining Ring	Washer	Motor Clamp Washer	Cylinder Dowel	Rubber Cap

**NC-6216K01**




Anvil Ass'y	Hammer	Rotor Blade	Gasket	O-Ring	Muffler Elemen
Rubber Grip	Retaining Ring	Washer	Motor Clamp Washer	Cylinder Dowel	Rubber Cap

**NC-6218K01**




Anvil Ass'y	Hammer	Rotor Blade	Gasket	O-Ring	Muffler Elemen
Rubber Grip	Retaining Ring	Washer	Motor Clamp Washer	Cylinder Dowel	Rubber Cap

**NC-6236K01**



Anvil Ass'y	Hammer	Rotor Blade	Gasket	O-Ring	Muffler Elemen
Rubber Grip	Retaining Ring	Washer	Motor Clamp Washer	Cylinder Dowel	Rubber Cap

**NC-6210K01**




Anvil Ass'y	Hammer	Rotor Blade	Gasket	O-Ring	Muffler Elemen
Rubber Grip	Retaining Ring	Washer	Motor Clamp Washer	Cylinder Dowel	Rubber Cap

**PNEUMATIC TOOLS**  
GLOBAL EXPANSION

# REPAIR KIT

**NE-399/499K01**




Anvil Ass'y	Hammer	Ratchet Anvil Ass'y	Planet Gear Ass'y	Rotor Blade	Gasket	O-Ring
Work Spindle	Needle Bearing	Ball Bearing	Muffler	Washer	Planet Pin	

**NE-352K01**




Anvil Ass'y	Hammer	Ratchet Anvil Ass'y	Planet Gear Ass'y	Rotor Blade	Gasket	O-Ring
Work Spindle	Needle Bearing	Ball Bearing	Muffler	Washer	Planet Pin	

**NE-251K01**




Anvil Ass'y	Hammer	Ratchet Anvil Ass'y	Planet Gear Ass'y	Rotor Blade	Gasket	O-Ring
Work Spindle	Needle Bearing	Ball Bearing	Muffler	Washer	Planet Pin	

**NE-351K01**




Anvil Ass'y	Hammer	Ratchet Anvil Ass'y	Planet Gear Ass'y	Rotor Blade	Gasket	O-Ring
Work Spindle	Needle Bearing	Ball Bearing	Muffler	Washer	Planet Pin	

**NE-321K01**




Anvil Ass'y	Hammer	Ratchet Anvil Ass'y	Planet Gear Ass'y	Rotor Blade	Gasket	O-Ring
Work Spindle	Needle Bearing	Ball Bearing	Muffler	Washer	Planet Pin	

**NE-421K01**



Anvil Ass'y	Hammer	Ratchet Anvil Ass'y	Planet Gear Ass'y	Rotor Blade	Gasket	O-Ring
Work Spindle	Needle Bearing	Ball Bearing	Muffler	Washer	Planet Pin	

**NE-332/432K01**




Anvil Ass'y	Hammer	Ratchet Anvil Ass'y	Planet Gear Ass'y	Rotor Blade	Gasket	O-Ring
Work Spindle	Needle Bearing	Ball Bearing	Muffler	Washer	Planet Pin	

**NE-461K01**



Anvil Ass'y	Hammer	Ratchet Anvil Ass'y	Planet Gear Ass'y	Rotor Blade	Gasket	O-Ring
Work Spindle	Needle Bearing	Ball Bearing	Muffler	Washer	Planet Pin	

**NE-443K01**



Anvil Ass'y	Hammer	Ratchet Anvil Ass'y	Planet Gear Ass'y	Rotor Blade	Gasket	O-Ring
Work Spindle	Needle Bearing	Ball Bearing	Muffler	Washer	Planet Pin	





# AIR RATCHET WRENCH



## NE-332 / 432

3/8" & 1/2" DRIVE Air Ratchet Wrench

Air inlet : 1/4"

**NO.1**  
Sales

**20%**  
Longer  
Life-time

Compare With ordinary models

20 pieces in one carton

- Quick release button enables fast and efficient socket change.
- Allows fast positioning on nut.
- Hardened gears, needle and ball bearings provide longer lifetime.
- Ultimate Torque: 60ft-lbs.



★★★  
**NE-352**

3/8" Drive Air Ratchet Wrench

Air inlet : 1/4"

20 pieces in one carton

**15%**  
Lighter

**39%**  
Shorter



## NE-0357[SET]

3/8" Drive Air Ratchet Wrench 57PCS

Air inlet : 1/4"

- 1pc Air Ratchet Wrench (NE-352)
- 7pcs 1/4" Dr. socket : 4,5,6,7,8,9,10 mm
- 6pcs 3/8" Dr. socket : 11,12,13,14,15,17 mm
- 40pcs 1/4" Bits
- 1pc 3/8" Extension Bar
- 1pc 1/4" Hex Size shank driver
- 1pc Plug

10 pieces in one carton



## NE-321 / 421

3/8" & 1/2" Drive Air Ratchet Wrench

Air inlet : 1/4"

20 pieces in one carton



	Square Drive	Torque Range	Max Torque	Free Speed	Avg. Air Consumption	Air Pressure	Overall Length	Net Weight	Air Hose	Sound Pressure	Vibration Level
	Inch	FT-LB (Nm)	FT-LB Nm	R.P.M	CFM (L/min)	PSI (bar)	Inch (mm)	LBS kg	Inch	dB(A)	m/s <sup>2</sup>
NE-321	3/8"	10-35(13.5-47)	50 68	160	4.0(113.28)	90(6.3)	10-3/8"(265)	2.3 1.04	3/8"	91.0	3.9
NE-421	1/2"	10-35(13.5-47)	50 68	160	4.0(113.28)	90(6.3)	10-3/8"(265)	2.3 1.04	3/8"	92.8	4.6
NE-352	3/8"	5-15(6.7-20)	22 30	350	3.0(84.96)	90(6.3)	5"(125)	1.1 0.50	3/8"	89.0	4.4
NE-332	3/8"	10-45(13.5-61)	60 81	160	4.0(113.28)	90(6.3)	10-3/8"(265)	2.6 1.22	3/8"	90.5	4.4
NE-432	1/2"	10-45(13.5-61)	60 81	160	4.0(113.28)	90(6.3)	10-3/8"(265)	2.6 1.22	3/8"	89.8	5.2

**PNEUMATIC TOOLS**  
GLOBAL EXPANSION



# AIR RATCHET WRENCH

**NE-488**  
1/2" Drive Air Ratchet Wrench  
Air inlet : 1/4"  
12 pieces in one carton

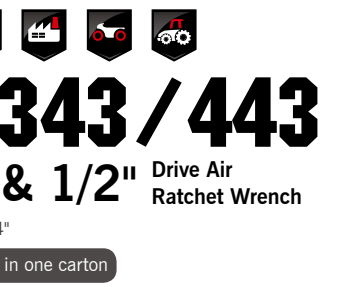
**New**



**NE-251 / 351**  
1/4" & 3/8" Drive Air Ratchet Wrench  
Air inlet : 1/4"  
20 pieces in one carton




**NE-343 / 443**  
3/8" & 1/2" Drive Air Ratchet Wrench  
Air inlet : 1/4"  
10 pieces in one carton




**NE-251R / 351R**



**NE-261 / 361**  
1/4" / 3/8" Drive Air Ratchet Wrench  
Air inlet : 1/4"  
20 pieces in one carton




**NE-362**  
3/8" Drive Air Ratchet Wrench  
Air inlet : 1/4"  
20 pieces in one carton

- back exhaust design to reduce flying dusts
- NE-361 with 3/8" square drive
- NE-362 with dual-use square drive
- 160mm long suitable for narrow space




**NE-0413[SET]**  
**NE-0413S[SET]**  
1/2" Drive Air Ratchet Wrench Thru-Hole 13pcs  
Air inlet : 1/4"  
6 pieces in one carton

- 1pc Air Ratchet Wrench(NE-461)
- 8pcs 3/4" Hex Thru-hole socket : 8,9,10,12,13,14,17,19 mm (NE-0413)
- 8pcs 3/4" Hex Thru-hole socket : 5/16",3/8",7/16",1/2",9/16",5/8",11/16",3/4" (NE-0413S)
- 1pc 3" Extension Bar
- 2pcs 1/2" 3/8" Adapter
- 1pc Plug



	Square Drive	Torque Range	Max Torque	Free Speed	Avg. Air Consumption	Air Pressure	Overall Length	Net Weight	Air Hose	Sound Pressure	Vibration Level
	Inch	FT-LB (Nm)	FT-LB Nm	R.P.M	CFM (L/min)	PSI (bar)	Inch (mm)	LBS kg	Inch	dB(A)	m/s²
NE-251	1/4"	5-15(6.7-20)	22 30	350	3.0(84.96)	90(6.3)	5"(125)	1.1 0.50	3/8"	89.0	4.4
NE-351	3/8"	5-15(6.7-20)	22 30	350	3.0(84.96)	90(6.3)	5"(125)	1.1 0.50	3/8"	89.0	4.4
NE-343	3/8"	10-55(13.5-74)	75 101.7	160	4.0(113)	90(6.3)	11"(280)	2.8 1.30	3/8"	84.0	4.4
NE-443	1/2"	10-55(13.5-74)	100 135.6	160	4.0(113)	90(6.3)	11"(280)	2.8 1.30	3/8"	84.0	4.4
NE-261	1/4"	10-35(13.5-47)	37 50	230	4.6(130)	90(6.3)	6-5/16"(160)	1.1 0.50	3/8"	88.0	3.0
NE-361	3/8"	10-35(13.5-47)	37 50	230	4.6(130)	90(6.3)	6-5/16"(160)	1.1 0.50	3/8"	88.0	3.0
NE-362	3/8"	10-35(13.5-47)	37 50	230	4.6(130)	90(6.3)	6-5/16"(160)	1.1 0.50	3/8"	88.0	3.0
NE-461	1/2"	10-65(13.5-88)	100 135	180	4.0(113)	90(6.3)	10-3/8"(270)	2.6 1.20	3/8"	83.0	2.3
NE-488	1/2"	10-40(13.5-54)	60 81	150	4.5(127.4)	90(6.3)	10-13/16"(275)	3.2 1.45	3/8"	85.0	3.9





# QA-633QA/B

**97° AIR Angle Die Grinder**

Air inlet : 1/4"

**64%**  
Lower sound

**50%**  
longer  
Life-time

Compare With ordinary models

20 pieces in one carton



# AIR DIE GRINDER

- No gear type to reduce maintenance costs
- 97 degree angle to reduce wrist fatigue
- Low sound pressure 75dBA
- Composite grip / long time usage without cold feeling
- Enlarged motor design for bigger power output



	Collet Size A mm	Collet Size B inch	Free Speed R.P.M	Avg. Air Consumption CFM (L/min)	Air Pressure PSI (bar)	Overall Length Inch (mm)	Motor HP	Net Weight LBS(kg)	Air Hose Inch	Sound Pressure dBA	Vibration Level m/s <sup>2</sup>
QA-633Q	6 & 3	1/4" & 1/8"	15000	17.2(490)	90(6.3)	7-1/8"(180)	0.6	1.54 0.70	3/8"	75.0	>2.5

m7 is the official sponsor of CATERHAM



# AIR DIE GRINDER

★★★    **80% Longer Life-time** **70% More Powerful**

## QA-141 A/B QA-141L A/B

**Air Die Grinder** Air inlet : 1/4"   
 QA-141-Roll Type Throttle   
 QA-141L-Lever Type Throttle

- 6mm clip collet / overall type
- Iron steel overall housing / high strength
- Front exhaust design

10 pieces in one carton

★★★  

## QA-143 A/B

**Air Die Grinder** Air inlet : 1/4" **Roll Type Throttle**

10 pieces in one carton

★★★  

## QA-151 A/B

**Air Die Grinder** Air inlet : 1/4" **Roll Type Throttle**

10 pieces in one carton

★★★   

## QA-163 A/B QA-163L A/B

**Air Die Grinder** Air inlet : 3/8"   
 QA-163 Roll Type Throttle   
 QA-163L Lever Type Throttle

10 pieces in one carton



## QA-632Q A/B

**97° Air Angle Die Grinder** Air inlet : 1/4"

20 pieces in one carton

- No gear type to reduce maintenance costs
- 97 degree angle to reduce wrist fatigue
- Low sound pressure 75dAB
- Composite grip / long time usage without cold feeling



## QA-611A/B

**90° Air Angle Die Grinder** Air inlet : 1/4"

20 pieces in one carton

- 90° working angle provides wide flexibility in confined areas.
- Both 3mm and 6mm or 1/8" and 1/4" collets are included.



	Collet Size	Collet Size	Free Speed	Avg. Air Consumption	Air Pressure	Overall Length	Motor	Net Weight	Air Hose	Sound Pressure	Vibration Level
	A mm	B inch	R.P.M	CFM (L/min)	PSI (bar)	Inch (mm)	HP	LBS(kg)	Inch	dBA	m/s²
QA-141	6	1/4"	24000	14.0(396)	90(6.3)	6-11/16"(170)	0.4	1.3 0.60	3/8"	75.0	2.5
QA-141L	6	1/4"	24000	14.0(396)	90(6.3)	6-11/16"(170)	0.4	1.3 0.60	3/8"	75.0	2.5
QA-143	6	1/4"	24000	14.0(396)	90(6.3)	11-11/16"(296)	0.4	2.0 0.90	3/8"	75.0	2.5
QA-151	6	1/4"	18000	12.2(345)	90(6.3)	7"(177)	0.9	1.76 0.80	3/8"	75.0	2.1
QA-163	6	1/4"	16000	5.0(141)	90(6.3)	12"(305)	0.9	2.7 1.25	3/8"	75.0	2.8
QA-163L	6	1/4"	16000	5.0(141)	90(6.3)	13-25/32"(350)	0.9	2.9 1.31	3/8"	75.0	2.8
QA-611	6 & 3	1/4" & 1/8"	19000	10.0(283)	90(6.3)	6-1/8"(160)	0.3	1.12 0.51	3/8"	74.4	1.7
QA-632Q	6 & 3	1/4" & 1/8"	22000	12.3(350)	90(6.3)	7"(177)	0.4	1.12 0.51	3/8"	75.0	>2.5



# AIR DIE GRINDER

★★   
**QA-111A/B**  
Air Die Grinder Air inlet : 1/4"  
20 pieces in one carton



★★   
**QA-210A/B**  
Air Die Grinder Air inlet : 1/4"  
20 pieces in one carton



★★   
**QA-211A/B**  
Air Die Grinder Air inlet : 1/4"  
20 pieces in one carton



★★   
**QA-231QA/B**  
Air Die Grinder Air inlet : 1/4"  
20 pieces in one carton



★★   
**QA-241A/B**  
Air Die Grinder Air inlet : 1/4"  
20 pieces in one carton



★★   
**QA-311A/B**  
Air Die Grinder Air inlet : 1/4"  
12 pieces in one carton



★★   
**QA-313A/B**  
Air Die Grinder Air inlet : 1/4"  
12 pieces in one carton



★★   
**QA-315A/B**  
Air Die Grinder Air inlet : 1/4"  
12 pieces in one carton



	Collet Size A mm	Collet Size B inch	Free Speed R.P.M	Avg. Air Consumption CFM (L/min)	Air Pressure PSI (bar)	Overall Length Inch (mm)	Motor HP	Net Weight LBS(kg)	Air Hose Inch	Sound Pressure dBA	Vibration Level m/s <sup>2</sup>
QA-111	6 & 3	1/4" & 1/8"	25000	10.0(283)	90(6.3)	6"(155)	0.3	0.8 0.38	3/8"	81.5	1.8
QA-210	6	1/4"	20000	10.0(283)	90(6.3)	7-1/2"(190)	0.9	1.4 0.65	3/8"	75.7	0.8
QA-211	6 & 3	1/4" & 1/8"	20000	10.0(283)	90(6.3)	7-1/2"(190)	0.9	1.4 0.65	3/8"	75.7	0.8
QA-231Q	6 & 3	1/4" & 1/8"	20000	14.8(420)	90(6.3)	5-29/32"(150)	0.45	0.8 0.35	3/8"	80.0	>2.5
QA-241	6	1/4"	4000	10.6(283)	90(6.3)	8-5/8"(220)	0.5	1.6 0.75	3/8"	75.0	0.87
QA-311	6 & 3	1/4" & 1/8"	25000	10.0(283)	90(6.3)	7-1/2"(190)	0.3	1.0 0.48	3/8"	81.5	1.8
QA-313	6 & 3	1/4" & 1/8"	25000	10.0(283)	90(6.3)	9-1/4"(235)	0.3	1.2 0.58	3/8"	81.5	1.8
QA-315	6 & 3	1/4" & 1/8"	25000	10.0(283)	90(6.3)	11"(280)	0.3	1.4 0.63	3/8"	81.5	1.8



# AIR DIE GRINDER



## QA-0115 A/B [SET] QA-111 QA-0215 A/B [SET] QA-211

Air Die Grinder 15 kit Air inlet : 1/4"

- 1pc Air Die Grinder
- 1pc Collet (3 mm or 1/8")
- 2pcs Spanner Wrench
- 5pcs Grinder Stone (3 mm or 1/8")
- 5pcs Shank Stone (6 mm or 1/4")
- 1pc Plug (adapter)

10 pieces in one carton



## QA-0615 A/B [SET]

Air Die Grinder 15 kit Air inlet : 1/4"

- 1pc Air Die Grinder (QA-611)
- 1pc Collet (3 mm or 1/8")
- 2pcs Spanner Wrench
- 5pcs Grinder Stone (3 mm or 1/8")
- 5pcs Shank Stone (6 mm or 1/4")
- 1pc Plug (adapter)

10 pieces in one carton



## QA-0207[SET] QA-210

Air Die Grinder 7 kit Air inlet : 1/4"

- 1pc Air Die Grinder (QA-210)
- 5pcs Shank stone
- 1pc Plug (adapter)

10 pieces in one carton



# MICRO AIR DIE GRINDER



## QA-441

Heavy Duty Micro AIR Die Grinder

Air inlet : 1/4"

20 pieces in one carton

- Heavy Duty 3mm Pencil Grinder
- Rust-free stainless steel front housing
- Ideal for machining dies, molds or other restricted grinding applications



## QA-412

A:3mm B:1/8"

Micro AIR Die Grinder

Air inlet : 1/4"

20 pieces in one carton



## QA-421

A:3mm B:1/8"

Micro AIR Die Grinder

Air inlet : 1/4"

20 pieces in one carton



## QA-432

A:3mm B:1/8"

Micro AIR Die Grinder

Air inlet : 1/4"

20 pieces in one carton



## QA-511

Engraving Pen

Air inlet : 1/4"

20 pieces in one carton



	Collet Size inch(mm)	Free Speed R.P.M	Blow Per Minute bpm	Avg. Air Consumption CFM (L/min)	Air Pressure PSI (bar)	Overall Length Inch (mm)	Hose Length mm	Net Weight LBS(kg)	Air Hose Inch	Sound Pressure dBA	Vibration Level m/s <sup>2</sup>
QA-412	1/8" (3)	60000	-----	2.7(76)	90(6.3)	6-3/4"(170)	1500	0.50 0.24	3/8"	70.0	0.5
QA-421	1/8" (3)	60000	-----	2.7(76)	90(6.3)	6"(150)	1500	0.50 0.22	3/8"	70.0	0.5
QA-432	1/8" (3)	70000	-----	1.0(29)	90(6.3)	5-3/8"(137)	1425	0.40 0.20	3/8"	70.0	0.5
QA-511	-----	-----	13000	1.0(29)	90(6.3)	5-1/2"(140)	1420	0.50 0.23	3/8"	78.0	0.6
QA-441	1/8"(3)	60000	-----	2.0(56)	90(6.3)	5-5/16"(135)	1500	0.40 0.21	3/8"	71.0	1.0





# QB-7114[S/M] QB-7115[S/M] QB-7145[S/M]



**100° Air Angle Grinder / Lever Type Throttle**

Note : The grinding wheel is not supplied along with the tool

Air inlet : 1/4"

**20%**  
More Powerful

Compare With ordinary models

6 pieces in one carton

- Strengthened motor design can reach 1.3HP.
- Metric and inch spindle design can meet accessory demands in every market.
- Spindle lock enables easier accessory changes.
- 100 degree design enables easier operation.
- Heavy duty air cooled spiral gears and double bearings for durability.





# AIR ANGLE GRINDER

m7 is the official sponsor of CATERRHAM

	Pad Dia inch(mm)	Spindle Size	Free Speed R.P.M	Avg. Air Consumption CFM (L/min)	Air Pressure PSI (bar)	Overall Length Inch (mm)	Motor HP	Net Weight LBS(kg)	Air Hose Inch	Sound Pressure dBA	Vibration Level m/s²
QB-7114(S/M)	4"(100)	3/8"-24 / M10*P1.5	11000	4.2(119)	90(6.3)	9-1/8"(232)	1.30	4.0 1.81	3/8"	90.0	1.2
QB-7115(S/M)	5"(125)	5/8"-11 / M14*P2.0	11000	4.2(119)	90(6.3)	9-1/8"(232)	1.30	4.0 1.81	3/8"	90.0	1.2
QB-7145(S/M)	4-1/2"(114)	5/8"-11 / M14*P2.0	11000	4.2(119)	90(6.3)	9-1/8"(232)	1.30	4.0 1.81	3/8"	90.0	1.2



# AIR ANGLE GRINDER

★★   

## QB-104/105

**Air Angle Grinder/Roll Type Throttle**  
Air inlet : 1/4"  
Note : The grinding wheel is not supplied along with the tool

10 pieces in one carton



★★   

## QB-114/115

**Air Angle Grinder/Lever Type Throttle**  
Air inlet : 1/4"  
Note : The grinding wheel is not supplied along with the tool

10 pieces in one carton



★★   

## QB-124/125

**Air Angle Grinder/Lever Type Throttle**  
Air inlet : 1/4"  
Note : The grinding wheel is not supplied along with the tool

8 pieces in one carton



★★   

## QB-134/135

## QB-154/155

**Air Angle Grinder/Lever Type Throttle**  
Air inlet : 1/4"  
Note : The grinding wheel is not supplied along with the tool

10 pieces in one carton



★★   

## QB-144/145

## QB-164/165

**Air Angle Grinder/Roll Type Throttle**  
Air inlet : 1/4"  
Note : The grinding wheel is not supplied along with the tool

10 pieces in one carton



★★   

## QB-107

**Air Angle Grinder/Roll Type Throttle**  
Air inlet : 3/8"  
Note : The grinding wheel is not supplied along with the tool

6 pieces in one carton



	Pad Dia / Arbor Size	Spindle Size	Free Speed	Avg. Air Consumption	Air Pressure	Overall Length	Motor	Net Weight	Air Hose	Sound Pressure	Vibration Level
	inch(mm)		R.P.M	CFM (L/min)	PSI (bar)	Inch (mm)	HP	LBS(kg)	Inch	dB(A)	m/s <sup>2</sup>
QB-104	4"(100x16)	3/8"-24	11000	6.0(170)	90(6.3)	8-7/8"(226)	0.78	4.0 1.81	3/8"	87.8	1.2
QB-105	5"(125x22)	3/8"-24	11000	6.0(170)	90(6.3)	8-7/8"(226)	0.78	4.0 1.81	3/8"	87.1	1.2
QB-114	4"(100x16)	3/8"-24	11000	6.0(170)	90(6.3)	9"(230)	0.78	4.0 1.81	3/8"	87.8	1.2
QB-115	5"(125x22)	3/8"-24	11000	6.0(170)	90(6.3)	9"(230)	0.78	4.0 1.81	3/8"	87.1	1.2
QB-124	4"(100x16)	3/8"-24	11000	6.0(170)	90(6.3)	9"(230)	0.80	3.8 1.73	3/8"	85.7	1.2
QB-125	5"(125x22)	5/8"-11	11000	6.0(170)	90(6.3)	9"(230)	0.80	3.9 1.78	3/8"	87.0	1.2
QB-134	4"(100x16)	M10xP1.5	11000	6.0(170)	90(6.3)	9"(230)	0.78	4.0 1.81	3/8"	87.8	1.2
QB-135	5"(125x22)	M14xP2.0	11000	6.0(170)	90(6.3)	9"(230)	0.78	4.0 1.81	3/8"	87.1	1.2
QB-144	4"(100x16)	M10xP1.5	11000	6.0(170)	90(6.3)	8-7/8"(226)	0.78	4.0 1.81	3/8"	87.8	1.2
QB-145	5"(125x22)	M14xP2.0	11000	6.0(170)	90(6.3)	8-7/8"(226)	0.78	4.0 1.81	3/8"	87.8	1.2
QB-154	4"(100x16)	3/8"-24	11000	6.0(170)	90(6.3)	9"(230)	0.78	3.8 1.73	3/8"	87.8	1.2
QB-155	5"(125x22)	3/8"-24	11000	6.0(170)	90(6.3)	9"(230)	0.78	3.8 1.73	3/8"	87.8	1.2
QB-164	4"(100x16)	3/8"-24	11000	6.0(170)	90(6.3)	8-7/8"(226)	0.78	4.0 1.81	3/8"	87.8	1.2
QB-165	5"(125x22)	3/8"-24	11000	6.0(170)	90(6.3)	8-7/8"(226)	0.78	4.0 1.81	3/8"	87.8	1.2
QB-107	7"(178x22)	.....	7000	9.0(255)	90(6.3)	11-1/4"(290)	1.0	7.1 3.24	1/2"	89.7	1.0



# AIR ANGLE GRINDER

## QB-117

**Air Angle Grinder/Lever Type Throttle**  
Air inlet : 3/8"  
Note : The grinding wheel is not supplied along with the tool

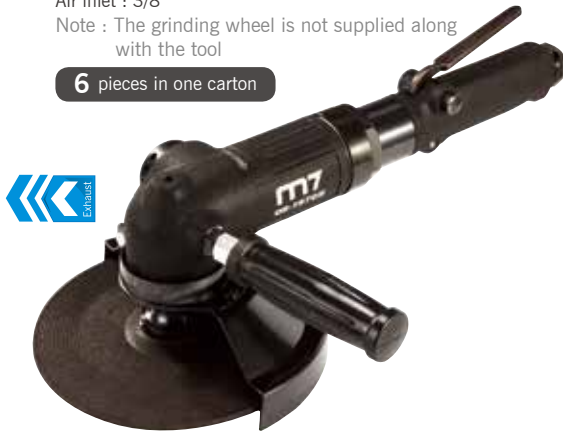
6 pieces in one carton



## QB-197Q

**Air Angle Grinder/Lever Type Throttle**  
Air inlet : 3/8"  
Note : The grinding wheel is not supplied along with the tool

6 pieces in one carton



## QB-177

**Air Angle Grinder/Lever Type Throttle**  
Air inlet : 3/8"  
Note : The grinding wheel is not supplied along with the tool

6 pieces in one carton



## QB-179

**Air Angle Grinder/Lever Type Throttle**  
Air inlet : 1/2"  
Note : The grinding wheel is not supplied along with the tool

4 pieces in one carton



- Specially coated body for improved durability
- Over run governor fitted

## QB-185

**Air Angle Grinder/Lever Type Throttle**  
Air inlet : 3/8"  
Note : The grinding wheel is not supplied along with the tool

4 pieces in one carton



## QB-187

**Air Angle Grinder/Lever Type Throttle**  
Air inlet : 3/8"  
Note : The grinding wheel is not supplied along with the tool

4 pieces in one carton



## QB-194

**Air Angle Grinder/Roll Type Throttle**  
Air inlet : 3/8"  
Note : The grinding wheel is not supplied along with the tool

10 pieces in one carton



## QB-194L

**Air Angle Grinder/Lever Type Throttle**  
Air inlet : 3/8"  
Note : The grinding wheel is not supplied along with the tool

6 pieces in one carton



	Pad Dia / Arbor Size	Spindle Size	Free Speed	Avg. Air Consumption	Air Pressure	Overall Length	Motor	Net Weight	Air Hose	Sound Pressure	Vibration Level
	inch(mm)		R.P.M	CFM (L/min)	PSI (bar)	Inch (mm)	HP	LBS(kg)	Inch	dBA	m/s <sup>2</sup>
QB-117	7"(178x22)	-----	7000	9.0(255)	90(6.3)	13-1/2"(343)	1.0	7.1 3.2	1/2"	89.7	1.0
QB-197Q	7"(178x22)	5/8"-11	7000	6.0(170)	90(6.3)	13-15/16"(353)	2.2	6.8 3.1	3/8"	77.0	1.5
QB-177	7"(178x22)	5/8"-11	7600	6.0(170)	90(6.3)	11-13/16"(300)	2.0	7.2 3.3	3/8"	92.0	2.7
QB-179	9"(230x22)	5/8"-11	6000	7.0(198)	90(6.3)	11"(279)	3.8	13.2 6.0	3/4"	86.0	2.1
QB-185	5"(125x22)	5/8"-11	12000	6.0(170)	90(6.3)	9-9/64"(232)	1.4	6.2 2.8	1/2"	86.0	2.1
QB-187	7"(178x22)	5/8"-11	7000	6.0(170)	90(6.3)	9-23/32"(247)	2.0	8.8 4.0	1/2"	86.0	2.1
QB-194	4"(100x16)	M8 X 1.25	12000	4.9(138)	90(6.3)	8-15/32"(215)	0.9	4.2 1.9	3/8"	91.0	2.6
QB-194L	4"(100x16)	M8 X 1.25	12000	4.9(138)	90(6.3)	10-23/32"(272)	0.9	4.6 2.1	3/8"	89.0	2.5

**PNEUMATIC TOOLS**  
GLOBAL EXPANSION



# AIR ANGLE GRINDER



## QB-194-CN

**Air Angle Grinder/Roll Type Throttle**  
Air inlet : 3/8"  
Note : The grinding wheel is not supplied along with the tool

10 pieces in one carton



## QB-195-85 QB-195-120

**Air Angle Grinder/Roll Type Throttle**  
Air inlet : 3/8"  
Note : The grinding wheel is not supplied along with the tool

10 pieces in one carton



## QB-195L-85 QB-195L-120

**Air Angle Grinder/Lever Type Throttle**  
Air inlet : 3/8"  
Note : The grinding wheel is not supplied along with the tool

6 pieces in one carton



## QB-195-CN

**Air Angle Grinder/Roll Type Throttle**  
Air inlet : 3/8"  
Note : The grinding wheel is not supplied along with the tool

10 pieces in one carton



## QB-199

**Air Straight Grinder / Lever Type Throttle**  
Air inlet : 3/8"  
Note : The grinding wheel is not supplied along with the tool

6 pieces in one carton



## QB-2925

**Air Straight Grinder / Roll Type Throttle**  
Air inlet : 3/8"  
Note : The grinding wheel is not supplied along with the tool

12 pieces in one carton



## QB-2925L

**Air Straight Grinder /Lever Type Throttle**  
Air inlet : 3/8"  
Note : The grinding wheel is not supplied along with the tool

12 pieces in one carton



## QB-623

**Air Angle Grinder/Lever Type Throttle**  
Air inlet : 1/4"

20 pieces in one carton



	Pad Dia / Arbor Size	Spindle Size	Free Speed	Avg. Air Consumption	Air Pressure	Overall Length	Motor	Net Weight	Air Hose	Sound Pressure	Vibration Level
	inch(mm)		R.P.M	CFM (L/min)	PSI (bar)	Inch (mm)	HP	LBS(kg)	Inch	dBA	m/s <sup>2</sup>
QB-194-CN	4"(100x16)	M8 X 1.25	13500	4.8(136)	90(6.3)	8-15/64"(210)	0.8	4.2 1.9	3/8"	92.0	2.8
QB-195-85	5"(125x22)	1/2"-13	8500	4.9(138)	90(6.3)	8-15/16"(227)	1.4	5.3 2.4	3/8"	91.0	2.1
QB-195-120	5"(125x22)	1/2"-13	12000	5.1(144)	90(6.3)	8-15/16"(227)	1.4	5.3 2.4	3/8"	91.0	2.1
QB-195L-85	5"(125x22)	1/2"-13	8500	4.9(138)	90(6.3)	10-13/16"(275)	1.4	5.5 2.5	3/8"	91.0	2.1
QB-195L-120	5"(125x22)	1/2"-13	12000	5.1(144)	90(6.3)	10-13/16"(275)	1.4	5.5 2.4	3/8"	91.0	2.1
QB-195-CN	5"(125x22)	M8 X 1.25	12000	4.9(138)	90(6.3)	8-15/32"(215)	1.0	4.4 2.0	3/8"	91.0	2.6
QB-199	9"(230x22)	5/8"-11	5900	6.8(178)	90(6.3)	14"(360)	2.5	9.9 4.5	3/8"	98.0	3.75
QB-2925	(65x13x9.5)	3/8"-16	16000	5.0(141)	90(6.3)	10-11/16"(270)	0.9	2.9 1.33	3/8"	90.0	2.8
QB-2925L	(65x13x9.5)	3/8"-16	16000	5.0(141)	90(6.3)	12-25/32"(215)	0.9	3.0 1.39	3/8"	90.0	2.8
QB-623	2"(50x10)	----	19000	8.1(283)	90(6.3)	6-5/16"(160)	0.3	1.2 0.57	3/8"	80.0	0.5



# AIR BELT SANDER

**PNEUMATIC TOOLS**  
GLOBAL EXPANSION



## QB-322 QB-322C

**Air Belt Sander** 10 pieces in one carton

Air inlet : 1/4"



QB-322C-Rubber pulley



- Ergonomic grip with streamline plastic cover
- Air adjusting switch for adjusting speed
- Serial sander can use non-woven material sanding belt
- No screw type -> 360 degree open shield, easy to change sanding belts



	Belt Size Pad Dia	Free Speed	Avg. Air Consumption	Air Pressure	Overall Length	Motor	Net Weight	Air Hose	Sound Pressure	Vibration Level
	inch(mm)	R.P.M	CFM (L/min)	PSI (bar)	Inch (mm)	HP	LBS kg	Inch	dBA	m/s <sup>2</sup>
QB-322	3/4"x20-1/2"(20x520)	16000	4.0(113)	90(6.3)	17"(430)	-----	3.1 1.40	3/8"	88.0	1.3

m7 is the official sponsor of CATERHAM



# AIR BELT SANDER

AIR BELT SANDER

m7 is the official sponsor of CATERHAM



## QB-311

**Air Belt Sander** 20 pieces in one carton

Air inlet : 1/4"

- 10mm belt-can be easily changed.
- Belt automatically adjusts to correct position.
- Belt shroud protects hands.
- Rubber handle offers non-slip grip and insulates hands from cold housing.
- Common applications include sanding and smoothing of welds, paint, rust and deburring removal.



## QB-312

**Air Belt Sander** 10 pieces in one carton

Air inlet : 1/4"

- Common applications include sanding and smoothing of welds, paint, rust and deburring removal in difficult-to-access locations



## QB-313

**Air Belt Sander**

Air inlet : 1/4"

6 pieces in one carton



## QB-321

**Air Belt Sander**

Air inlet : 1/4"

10 pieces in one carton



## QB-324

**Air Belt Sander**

Air inlet : 1/4"

10 pieces in one carton

- Adjustable belt speed control regulator
- Common applications include sanding and smoothing of welds, paint, rust and deburring removal in difficult-to-access locations



	Belt Size Pad Dia Inch(mm)	Free Speed R.P.M	Avg. Air Consumption CFM (L/min)	Air Pressure PSI (bar)	Overall Length Inch (mm)	Net Weight LBS kg	Air Hose Inch	Sound Pressure dBA	Vibration Level m/s <sup>2</sup>
QB-311	3/8"x13"(10x330)	16000	8.0(226)	90(6.3)	11-1/2"(290)	1.7 0.80	3/8"	89.7	0.5
QB-312	3/4"x20-1/2"(20x520)	16000	9.0(254)	90(6.3)	14"(360)	2.6 1.20	3/8"	91.8	0.4
QB-313	1-3/16"x21-1/4"(30x540)	13000	10.0(283)	90(6.3)	15-3/8"(390)	5.2 2.40	3/8"	81.0	1.2
QB-321	3/8"x13"(10x330)	16000	4.0(113)	90(6.3)	12-5/8"(320)	2.1 0.95	3/8"	88.0	1.0
QB-324	1/2"x24"(12.7x610)	16000	4.0(113)	90(6.3)	18"(455)	2.4 1.10	3/8"	88.0	1.1





# QB-54

**Air Random Orbital Sander  
Central-Vacuum**

Air inlet : 1/4"

10 pieces in one carton



# AIR SANDER

- Composite body housing, light weight
- Strengthened composite rotor, durable and longer lifetime



	Pad Dia	Free Speed	Avg. Air Consumption	Air Pressure	Overall Length	Motor	Net Weight	Air Hose	Sound Pressure	Vibration Level	orbit
	inch(mm)	R.P.M	CFM (L/min)	PSI (bar)	Inch (mm)	HP	LBS(kg)	Inch	dBA	m/s <sup>2</sup>	mm
QB-54602	6"(152)	10000	3.0(85)	90(6.3)	8-1/4"(210)	0.24	1.7 0.78	3/8"	81.6	1.5	5
QB-54702	6"(152)	10000	3.0(85)	90(6.3)	8-1/4"(210)	0.24	1.7 0.78	3/8"	81.6	1.5	5



# AIR SANDER



## QB-52

Air Random Orbital Sander  
Non-Vacuum  
Air inlet : 1/4"

8 pieces in one carton



## QB-55

Air Random Orbital Sander  
Non-Vacuum  
Air inlet : 1/4"

10 pieces in one carton



## QB-53

Air Random Orbital Sander  
Self-Generated Vacuum  
Air inlet : 1/4"

8 pieces in one carton



## QB-56

Air Random Orbital Sander  
Self-Generated Vacuum  
Air inlet : 1/4"

10 pieces in one carton



## QB-45

Air Random Orbital Sander  
Central-Vacuum  
Air inlet : 1/4"

10 pieces in one carton

- Excellent for refinishing or smoothing the surface of metal, wood, leather etc.



## QB-46

Air Random Orbital Sander  
Non-Vacuum  
Air inlet : 1/4"

10 pieces in one carton

- Excellent for refinishing or smoothing the surface of metal, wood, leather etc.



	Pad Dia	Free Speed	Avg. Air Consumption	Air Pressure	Overall Length	Motor	Net Weight	Air Hose	Sound Pressure	Vibration Level	orbit	
	inch(mm)	R.P.M	CFM (L/min)	PSI (bar)	Inch (mm)	HP	LBS(kg)	Inch	dBA	m/s <sup>2</sup>	mm	
QB-52502	5"(127)	10000	6(170)	90(6.3)	6"(153)	0.24	2.2 1.00	3/8"	87.6	1.2	5	
QB-52602	6"(152)	10000	6(170)	90(6.3)	6-1/2"(166)	0.24	2.6 1.20	3/8"	87.6	1.7	5	
QB-53802	5"(127)	10000	6(170)	90(6.3)	6"(153)	0.24	2.2 1.00	3/8"	86.2	1.1	5	
QB-53902	6"(152)	10000	6(170)	90(6.3)	6-1/2"(166)	0.24	2.6 1.20	3/8"	80.1	1.6	5	
QB-55602	6"(152)	10000	3.0(85)	90(6.3)	6-11/16"(157)	0.24	1.5 0.68	3/8"	81.6	1.5	5	
QB-56602	6"(152)	10000	3.0(85)	90(6.3)	8-1/4"(210)	0.24	1.7 0.78	3/8"	81.6	1.5	5	
QB-45602	6"(152)	10000	3.85(109)	90(6.3)	7-1/2"(193)	0.24	1.8 0.84	3/8"	81.6	2.2	5	
QB-45612	6"(152)	10000	3.85(109)	90(6.3)	7-1/2"(193)	0.24	1.8 0.84	3/8"	81.6	2.2	2.5	
QB-46502	5"(127)	10000	3.85(109)	90(6.3)	6"(153)	0.24	1.7 0.79	3/8"	80.1	2.2	5	
QB-46512	5"(127)	10000	3.85(109)	90(6.3)	6"(153)	0.24	1.7 0.79	3/8"	80.1	2.2	2.5	
QB-46602	6"(152)	10000	3.85(109)	90(6.3)	6-1/2"(166)	0.24	1.7 0.79	3/8"	80.1	2.2	5	
QB-46612	6"(152)	10000	3.85(109)	90(6.3)	6-1/2"(166)	0.24	1.7 0.79	3/8"	80.1	2.2	2.5	



# AIR SANDER



## QB-47

Air Random Orbital Sander  
Self-Generated Vacuum

Air inlet : 1/4"

10 pieces in one carton

- Excellent for refinishing or smoothing the surface of metal, wood, leather etc.



## QB-42

Air Random Orbital Sander  
Non-Vacuum

Air inlet : 1/4"

10 pieces in one carton



## QB-41

Air Random Orbital Sander  
Central-Vacuum

Air inlet : 1/4"

10 pieces in one carton



## QB-43

Air Random Orbital Sander  
Self-Generated Vacuum

Air inlet : 1/4"

6 pieces in one carton



## QB-48111

Air Jitterbug Sander

Non-Vacuum

Air inlet : 1/4"

10 pieces in one carton



## QB-49602

Dual Action Sander

Air Random Orbital Sander

Non-Vacuum

Air inlet : 1/4"

10 pieces in one carton



	Pad Dia	Free Speed	Avg. Air Consumption	Air Pressure	Overall Length	Motor	Net Weight	Air Hose	Sound Pressure	Vibration Level	orbit
	inch(mm)	R.P.M	CFM (L/min)	PSI (bar)	Inch (mm)	HP	LBS(kg)	Inch	dBA	m/s <sup>2</sup>	mm
QB-47602	6"(152)	10000	3.85(109)	90(6.3)	7-1/2"(193)	0.24	2.4 1.13	3/8"	84.7	2.2	5
QB-47612	6"(152)	10000	3.85(109)	90(6.3)	7-1/2"(193)	0.24	2.4 1.13	3/8"	84.7	2.2	2.5
QB-41902	6"(152)	10000	3.85(109)	90(6.3)	8"(206)	0.24	2.0 0.91	3/8"	81.5	1.2	5
QB-42502	5"(127)	10000	3.85(109)	90(6.3)	6"(153)	0.24	1.7 0.81	3/8"	75.7	1.4	5
QB-42602	6"(152)	10000	3.85(109)	90(6.3)	6-1/2"(166)	0.24	1.8 0.85	3/8"	74.4	1.4	5
QB-43802	5"(127)	10000	3.85(109)	90(6.3)	8"(206)	0.24	3.2 1.49	3/8"	83.9	1.3	5
QB-43902	6"(152)	10000	3.85(109)	90(6.3)	8-3/4"(221)	0.24	3.3 1.54	3/8"	83.0	1.4	5
QB-48111	4"x4-3/8"(100x110)	11000	7.0(198)	90(6.3)	5-1/5"(130)	0.28	2.0 0.91	3/8"	83.0	1.5	2.5
QB-49602	6"(152)	10000	3.60(102)	90(6.3)	8-21/32"(220)	0.75	2.0 0.91	3/8"	92.5	3.3	9.5

**PNEUMATIC TOOLS**  
GLOBAL EXPANSION



# AIR SANDER

## QB-57602

Air 2-Hand Random Orbital Sander  
Central-Vacuum  
Air inlet : 1/4"

10 pieces in one carton

- Aluminum alloy body housing completely covered with composite materials, robust and no cold feeling during long time usage.
- Long grip can reduce reaction while sanding.
- Air adjusting switch for adjusting speed.

**40%**  
Powerful



## QB-58502 QB-58602

Air 2-Hand Random Orbital Sander  
Non-Vacuum  
Air inlet : 1/4"

10 pieces in one carton



## QB-59602

Air 2-Hand Random Orbital Sander  
Self-Generated Vacuum  
Air inlet : 1/4"

10 pieces in one carton



## QB-57642

Air 2-Hand Gear-Driven Sander  
Central-Vacuum  
Air inlet : 1/4"

10 pieces in one carton

- Gear transmission for quicker hard sanding, saving time and longer lifespan.
- Aluminum alloy body housing completely covered with composite materials, robust and no cold feeling during long time usage.
- Long grip can reduce reaction while sanding.
- Air adjusting switch for adjusting speed.



## QB-58642 QB-58542

Air 2-Hand Gear-Driven Sander  
Non-Vacuum  
Air inlet : 1/4"

10 pieces in one carton



## QB-59642

Air 2-Hand Gear-Driven Sander  
Self-Generated Vacuum  
Air inlet : 1/4"

10 pieces in one carton



**PNEUMATIC TOOLS**  
GLOBAL EXPANSION

	Pad Dia inch(mm)	Free Speed R.P.M	Avg. Air Consumption CFM (L/min)	Air Pressure PSI (bar)	Overall Length Inch (mm)	Motor HP	Net Weight LBS(kg)	Air Hose Inch	Sound Pressure dBA	Vibration Level m/s <sup>2</sup>	orbit mm
QB-57602	6"(152)	10000	3.10(88)	90(6.3)	9-7/16"(240)	0.4	2.6 1.2	3/8"	80.0	1.3	5
QB-58502	5"(127)	10000	3.10(88)	90(6.3)	9-7/16"(240)	0.4	2.6 1.2	3/8"	80.0	1.3	5
QB-58602	6"(152)	10000	3.10(88)	90(6.3)	9-7/16"(240)	0.4	2.6 1.2	3/8"	80.0	1.3	5
QB-59602	6"(152)	10000	3.10(88)	90(6.3)	9-7/16"(240)	0.4	2.6 1.2	3/8"	80.0	1.3	5
QB-57642	6"(152)	900	3.10(88)	90(6.3)	9-7/16"(240)	0.4	3.5 1.6	3/8"	82.0	<2.5	5
QB-58542	5"(127)	900	3.10(88)	90(6.3)	9-7/16"(240)	0.4	3.3 1.5	3/8"	82.0	<2.5	5
QB-58642	6"(152)	900	3.10(88)	90(6.3)	9-7/16"(240)	0.4	3.5 1.6	3/8"	82.0	<2.5	5
QB-59642	6"(152)	900	3.10(88)	90(6.3)	9-7/16"(240)	0.4	3.5 1.6	3/8"	82.0	<2.5	5



# AIR PISTOL SANDER

★★★     
**QP-113**

Air Pistol Sander  
Air inlet : 1/4"

10 pieces in one carton



★★★     
**QP-123**

Air Pistol Polisher  
Air inlet : 1/4"

10 pieces in one carton



★★★     
**QP-215**

Air High Speed Sander  
Air inlet : 1/4"

10 pieces in one carton



★★★     
**QP-317/327**

Air Angle Polisher  
Air inlet : 1/4"

10 pieces in one carton



★★★★★     
**QD-321**

Low Vibration Air Body Saw

Air inlet : 1/4"

**30%**  
Lower  
Vibration

**20%**  
Efficiency

Compare With ordinary models

- Special air flow design to reduce vibration 30%
- streamline modelling for better ergonomics
- Long stroke to raise work efficiency 20%
- Cylinder specially processed to raise lifetime 30%



	Pad Dia inch(mm)	Free Speed R.P.M	Avg. Air Consumption CFM (L/min)	Air Pressure PSI (bar)	Overall Length Inch (mm)	Motor HP	Net Weight LBS(kg)	Air Hose Inch	Sound Pressure dBA	Vibration Level m/s <sup>2</sup>	orbit mm
QP-113	3"(76)	15000	3.5(99)	90(6.3)	5"(127)	0.40	1.5 0.72	3/8"	74.0	0.3	2.5
QP-123	3"(76)	2100	3.5(99)	90(6.3)	5-5/16"(135)	0.40	1.6 0.77	3/8"	74.0	0.3	---
QP-215	4-2/1"	16000	6.5(184)	90(6.3)	6-19/64"(160)	0.80	2.6 1.20	3/8"	60.0	1.8	---
QP-317	7"(178)	2500	6.0(169)	90(6.3)	16"(406)	0.40	4.0 2.04	3/8"	84.0	2.5	---



	Strokes Length mm	Strokes Per min. S.P.M	Avg. Air Consumption CFM (L/min)	Air Pressure PSI (bar)	Overall Length Inch (mm)	Net Weight LBS kg	Air Hose Inch	Sound Pressure dBA	Vibration Level m/s <sup>2</sup>
QD-321	14.5	11000	4.5 (113)	90(6.3)	9-1/4"(230)	1.7 0.6	3/8"	83.0	2.0



# AIR CUTTING TOOLS

**PNEUMATIC TOOLS**  
GLOBAL EXPANSION



## QC-213

**3" Heavy Duty Air Cut-Off Tool**  
Note: wheel is supplied with the tool

Available Dimension of inner hold : Ø 10mm  
Air inlet : 1/4"

- 0.9hp high power motor
- Excellent for cutting rusted bolts, nuts, motor exhaust clamps or hangers, sheet metal, fiberglass etc.

20 pieces in one carton



## QC-234

**4" Air Corner Cut-Off Tool**  
Note: wheel is supplied with the tool

Available Dimension of inner hold : Ø 10mm Ø 16mm  
Air inlet : 1/4"

- Excellent for cutting rusted bolts, nuts, motor exhaust clamps or hangers, sheet metal, fiberglass etc.

6 pieces in one carton



## QC-253

**3" Air Cut-Off Tool**  
Note: wheel is supplied with the tool

Air inlet : 1/4"

10 pieces in one carton



## QC-254

**4" Air Corner Cut-Off Tool**  
Note: wheel is supplied with the tool

Available Dimension of inner hold : Ø 10mm  
Air inlet : 1/4"

10 pieces in one carton



## QG-102

**Air Shear / Straight Type**  
Air inlet : 1/4"

10 pieces in one carton



## QG-202

**Air Shear / Pistol Type**  
Air inlet : 1/4"

10 pieces in one carton



## QG-103

**Air Nibbler**  
Air inlet : 1/4"

10 pieces in one carton



## PN-150 PN-180

**Air Punch & Flange Tool**  
Air inlet : 1/4"

10 pieces in one carton



	Punch Diameter	Capacity	Avg. Air Consumption	Air Pressure	Overall Length	Net Weight	Air Hose	Sound Pressure	Vibration Level
PN-150	5	1.6 mm (Steel)	4.0(113)	90(6.3)	10"(254)	2.5 1.15	3/8"	62.0	0.1
PN-180	8	1.2 mm (Steel)	4.0(113)	90(6.3)	10"(254)	2.5 1.15	3/8"	62.0	0.1

	Belt Size Pad Dia	Free Speed	Avg. Air Consumption	Air Pressure	Overall Length	Motor	Net Weight	Air Hose	Sound Pressure	Vibration Level
QC-213	3"(75)	20000	10.0(283)	90(6.3)	7-7/8"(200)	0.9	1.9	0.8	3/8"	80.2
QC-234	4"(100)	16000	10.0(283)	90(6.3)	14"(355)	0.9	3.5	1.5	3/8"	85.0
QC-253	3"(75)	24000	4.0(113)	90(6.3)	8"(203)	0.6	1.7	0.8	3/8"	91.0
QC-254	4"(100)	20000	5.0(141)	90(6.3)	8-1/8"(206)	0.6	2.0	0.9	3/8"	81.0

	Strokes Per min	Avg. Air Consumption	Air Pressure	Overall Length	Net Weight	Air Hose	Sound Pressure	Vibration Level	Cut Capacity
QG-102	2600	6.0(170)	90(6.3)	10"(254)	2.2 1.00	3/8"	85.8	2.4	1.2 1.6
QG-202	2600	6.5(184)	90(6.3)	8-1/4"(210)	2.4 1.10	3/8"	89.1	2.9	1.2 1.6
QG-103	2600	3.0 (85)	90(6.3)	7-3/5"(193)	2.2 1.00	3/8"	88.0	2.8	1.2 1.6



# AIR CUTTING TOOLS

## QD-221

**Air Saw With Hose**  
Air inlet : 1/4"

10 pieces in one carton

- Quick change saw blade holder allows for easy blade changing
- Adjustable guard / guide controls depth of cut precisely
- Excellent for cutting sheet aluminum, plastic and sheet metal up to 1.6mm



## QD-230

**Air Mini Saw with hose**  
Air inlet : 1/4"

10 pieces in one carton



## QD-291

**Air Saw Set**  
Air inlet : 1/4"

10 pieces in one carton

- Quick change saw blade holder allows blade changing easily.
- 5 pieces file set and 12 saw blades are included.
- Adjustable guard / guide controls depth of cut precisely.

**Contents**

- Air saw tool (1 pcs)
- 24T Saw Blade (6 pcs)
- 32T Saw Blade (6 pcs)
- Allen Key: 4mm, 3mm (1 pcs)
- 1/4" 360° plug
- 5 Pieces file set
- Mini oiler 1/4" (1 pcs)

10 pieces in one carton



## QK-111

**Air Knife**  
Air inlet : 1/4"

10 pieces in one carton



## QK-121

**Air Knife**  
Air inlet : 1/4"

10 pieces in one carton



	Oscillation per min	Avg. Air Consumption CFM (L/min)	Overall Length Inch (mm)	Net Weight LBS(kg)	Air Hose Inch	Sound Pressure dBA	Vibration Level m/s <sup>2</sup>
QK-111	20000	6.0(170)	7-5/64" (180)	2.4(1.1)	10	75	3.9
QK-121	19000	4.3(121)	6-15/16" (176)	1.3(0.6)	10	91	2.8

	Strokes Length mm	Strokes Per min. S.P.M	Collef Size mm	Avg. Air Consumption CFM (L/min)	Air Pressure PSI (bar)	Overall Length Inch (mm)	Net Weight LBS kg	Air Hose Inch	Sound Pressure dBA	Vibration Level m/s <sup>2</sup>
QD-221	10	5000	4.0	4.0 (113)	90(6.3)	9-3/4"(250)	1.76 0.8	3/8"	81.9	4.1
QD-230	5	7000	5.0	2.5 (70)	90(6.3)	7"(180)	1.10 0.5	3/8"	80.0	2.4
QD-291	10	9000	5.0	4.0 (113)	90(6.3)	9-1/4"(235)	1.30 0.6	3/8"	80.0	2.4



# AIR DRILL



## QE-831

3/8" Air Reversible Drill  
With Keyless Chuck

Air inlet : 1/4"

10 pieces in one carton

- one finger forward/reverse switch.
- Planet gear to strengthen drilling capability.



	Chuck Size	Free Speed	Motor	Avg. Air Consumption	Air Pressure	Overall Length	Net Weight	Air Hose	Sound Pressure	Vibration Level
	inch(mm)	R.P.M	hp	CFM (L/min)	PSI (bar)	Inch (mm)	LBS kg	Inch	dBA	m/s²
QE-831	3/8"(10)	1800	0.45	4.0(113)	90(6.3)	7-1/4"(185)	2.5 1.10	3/8"	83.0	0.3



# AIR DRILL



## QE-331 / 332

QE-331 3/8" Air Reversible Drill  
QE-332 3/8" Air Drill  
With Keyless Chuck  
Air inlet : 1/4"

10 pieces in one carton



3pcs Planet Gear



## QE-333 / 334

QE-333 3/8" Air Reversible Drill  
QE-334 3/8" Air Drill  
With Key Chuck  
Air inlet : 1/4"

10 pieces in one carton



3pcs Planet Gear



## QE-341 / 342

QE-341 1/2" Air Reversible Drill  
QE-342 1/2" Air Drill  
With Keyless Chuck  
Air inlet : 1/4"

10 pieces in one carton



3pcs Planet Gear x 2 Set



## QE-343 / 344

QE-343 1/2" Air Reversible Drill  
QE-344 1/2" Air Drill  
With Key Chuck  
Air inlet : 1/4"

10 pieces in one carton



3pcs Planet Gear x 2 Set



## QE-431 / 432

QE-431 3/8" Air Reversible Drill  
QE-432 3/8" Air Drill  
With Keyless Chuck  
Air inlet : 1/4"

10 pieces in one carton



2pcs Planet Gear



## QE-433 / 434

QE-433 3/8" Air Reversible Drill  
QE-434 3/8" Air Drill  
With Key Chuck  
Air inlet : 1/4"

10 pieces in one carton



2pcs Planet Gear

	Chuck Size inch(mm)	Free Speed R.P.M	Motor hp	Avg. Air Consumption CFM (L/min)	Air Pressure PSI (bar)	Overall Length Inch (mm)	Net Weight LBS kg	Air Hose Inch	Sound Pressure dBA	Vibration Level m/s <sup>2</sup>
QE-331	3/8"(10)	1800	0.65	6.5(184)	90(6.3)	8"(203)	2.42 1.1	3/8"	96.5	0.3
QE-332	3/8"(10)	2200	0.60	6.5(184)	90(6.3)	7-1/2"(190)	2.20 1.0	3/8"	96.5	0.3
QE-333	3/8"(10)	1800	0.65	6.5(184)	90(6.3)	8"(203)	2.42 1.1	3/8"	92.0	0.2
QE-334	3/8"(10)	2200	0.60	6.5(184)	90(6.3)	7-1/2"(190)	2.20 1.0	3/8"	92.0	0.2
QE-341	1/2"(13)	800	0.65	6.5(184)	90(6.3)	9"(230)	3.96 1.8	3/8"	96.5	0.1
QE-342	1/2"(13)	800	0.60	6.5(184)	90(6.3)	8-1/4"(209)	3.74 1.7	3/8"	96.5	0.1
QE-343	1/2"(13)	800	0.65	6.5(184)	90(6.3)	9"(230)	3.96 1.8	3/8"	97.5	0.1
QE-344	1/2"(13)	800	0.60	6.5(184)	90(6.3)	8-1/4"(209)	3.74 1.7	3/8"	97.5	0.1
QE-431	3/8"(10)	1800	0.50	4.0(112)	90(6.3)	8-29/32"(226)	2.6 1.18	3/8"	90.0	3.0
QE-432	3/8"(10)	2200	0.70	4.8(135)	90(6.3)	8-29/32"(226)	2.6 1.18	3/8"	90.0	3.0
QE-433	3/8"(10)	1800	0.50	4.0(112)	90(6.3)	9-1/16"(230)	2.7 1.23	3/8"	90.0	3.0
QE-434	3/8"(10)	2200	0.70	4.8(135)	90(6.3)	9-1/16"(230)	2.7 1.23	3/8"	90.0	3.0



# AIR DRILL

**PNEUMATIC TOOLS**  
GLOBAL EXPANSION

## QE-441 / 442

QE-441 1/2" Air Reversible Drill  
QE-442 1/2" Air Drill  
With Keyless Chuck 10 pieces in one carton  
Air inlet : 1/4"



2pcs Planet Gear x2Set

## QE-443 / 444

QE-443 1/2" Air Reversible Drill  
QE-444 1/2" Air Drill  
With Key Chuck 10 pieces in one carton  
Air inlet : 1/4"



2pcs Planet Gear x2Set

## QE-532

3/8" Air Drill  
With Keyless Chuck 10 pieces in one carton  
Air inlet : 1/4"



3pcs Planet Gear

## QE-533

3/8" Air Reversible Drill  
With Key Chuck 10 pieces in one carton  
Air inlet : 1/4"



3pcs Planet Gear



## QE-542

1/2" Air Drill  
With Keyless Chuck 10 pieces in one carton  
Air inlet : 1/4"



3pcs Planet Gear X 2Set



## QE-543

1/2" Air Reversible Drill  
With Key Chuck 10 pieces in one carton  
Air inlet : 1/4"



3pcs Planet Gear X 2Set

	Chuck Size inch(mm)	Free Speed R.P.M	Motor hp	Avg. Air Consumption CFM (L/min)	Air Pressure PSI (bar)	Overall Length Inch (mm)	Net Weight LBS kg	Air Hose Inch	Sound Pressure dBA	Vibration Level m/s <sup>2</sup>
QE-441	1/2"(13)	1100	0.50	4.0(112)	90(6.3)	10-53/64"(270)	3.5 1.58	3/8"	90.0	3.0
QE-442	1/2"(13)	1300	0.70	4.8(135)	90(6.3)	10-53/64"(270)	3.5 1.58	3/8"	90.0	3.0
QE-443	1/2"(13)	1100	0.50	4.0(112)	90(6.3)	10-53/64"(270)	3.8 1.73	3/8"	90.0	3.0
QE-444	1/2"(13)	1300	0.70	4.8(135)	90(6.3)	10-53/64"(270)	3.8 1.73	3/8"	90.0	3.0
QE-532	3/8"(10)	2800	0.70	4.8(135)	90(6.3)	9-9/16"(243)	2.7 1.23	3/8"	90.0	2.0
QE-533	3/8"(10)	2200	0.50	4.0(112)	90(6.3)	9-13/32"(189)	2.7 1.23	3/8"	90.0	2.0
QE-542	1/2"(13)	1300	0.70	4.8(135)	90(6.3)	11-1/64"(280)	3.8 1.73	3/8"	90.0	2.0
QE-543	1/2"(13)	1100	0.50	4.0(112)	90(6.3)	10-55/64"(276)	3.8 1.73	3/8"	90.0	2.0

m7 is the official sponsor of CATERHAM



# AIR DRILL

★ ★ ★  
**QE-833**

3/8" Air Reversible Drill With Key Chuck  
Air inlet : 1/4" **10** pieces in one carton



3pcs Planet Gear

★ ★ ★  
**QE-841**

1/2" Air Reversible Drill With Keyless Chuck  
Air inlet : 1/4" **10** pieces in one carton



3pcs Planet Gear X 2Set

★ ★ ★  
**QE-843**

1/2" Air Reversible Drill With Key Chuck  
Air inlet : 1/4" **10** pieces in one carton



3pcs Planet Gear X 2Set

★ ★ ★  
**QE-633**

3/8" 90° Air Reversible Angle Drill With Keyless Chuck  
Air inlet : 1/4" **10** pieces in one carton



2pcs Planet Gear

★ ★ ★  
**QE-933**

3/8" Air Reversible Straight Drill With Keyless Chuck  
Air inlet : 1/4"

**10** pieces in one carton



2pcs Planet Gear



**QE-98L**

Double Axis Bubble Spirit Level Gradienter



★ ★ ★  
**QE-231**

Spot Drill&Hook  
Air inlet : 1/4"

**10** pieces in one carton

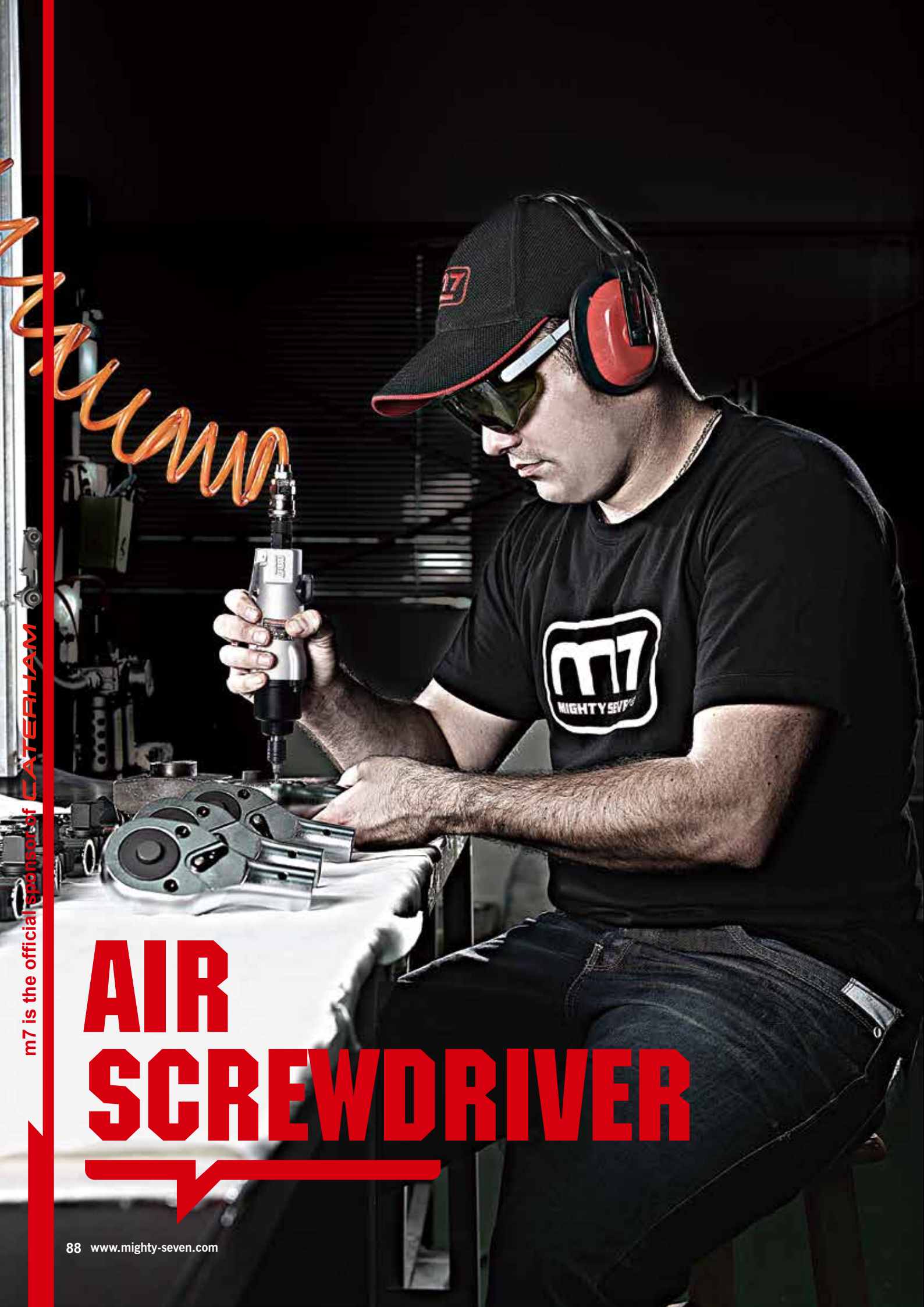
- 8mm drill bit included
- 6.5 . 8 . 10 mm drill are available
- Adjustable chunk for easy control
- Hook is easily removed or installed.
- High quality piston improves torque and efficiency
- Common applications are drilling into odd shaped objects.
- Maximum drill depth:4.5mm steel,3.8mm stainless



2pcs Planet Gear

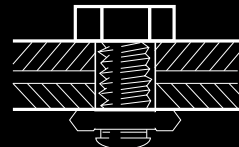
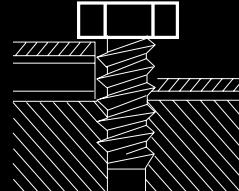
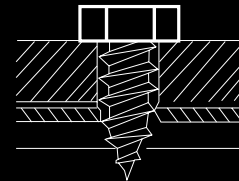
	Chuck Size inch(mm)	Free Speed R.P.M	Motor hp	Avg. Air Consumption CFM (L/min)	Air Pressure PSI (bar)	Overall Length Inch (mm)	Net Weight LBS kg	Air Hose Inch	Sound Pressure dBA	Vibration Level m/s <sup>2</sup>
QE-833	3/8"(10)	1800	0.45	4.0(113)	90(6.3)	7-1/4"(185)	2.5 1.10	3/8"	83.0	0.3
QE-841	1/2"(13)	800	0.45	4.0(113)	90(6.3)	8-1/4"(210)	3.7 1.70	3/8"	83.0	0.3
QE-843	1/2"(13)	800	0.45	4.0(113)	90(6.3)	8-1/4"(210)	3.9 1.80	3/8"	83.0	0.3
QE-633	3/8"(10)	1600	0.50	3.0(85)	90(6.3)	8-1/4"(210)	2.4 1.10	3/8"	72.0	2.5
QE-933	3/8"(10)	2600	0.50	3.0(85)	90(6.3)	8-15/32"(215)	2.0 0.90	3/8"	72.0	2.5
QE-231	5/16"(8)	1600	0.50	6.0(170)	90(6.3)	9-1/4"(235)	4.4 2.00	3/8"	88.2	0.1





# AIR SCREWDRIVER

## SELECTION GUIDE

Joint & Torque Curve	Feature	Clutch Type
<p>Free Running Hard Stop /Soft Stop</p> 	<p>Turns easily until head seats, then instant resistance to torque build-up.</p>	<p><b>Shut-off Screwdriver</b></p>
<p>Self-Tapping Thick Material / Self-Tapping / Sheet Metal</p> 	<p>Constant heavy resistance until head seats. Then gradual or sudden build-up.</p>	<p><b>Adjustable Clutch</b></p>
<p>Self-Tapping Plastic / Wood Screws</p> 	<p>Constant heavy resistance until head seats. Then gradual or sudden build-up.</p>	<p><b>Twin Hammer Type Twin Dog Type</b></p>



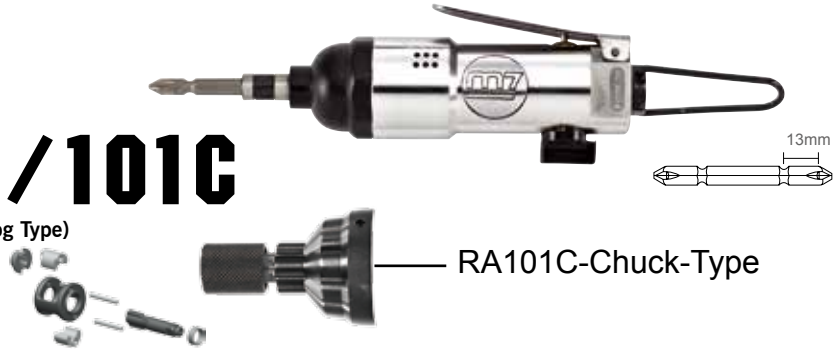
# AIR SCREWDRIVER



## RA-101/101C

AIR Screwdriver (Twin Dog Type)  
Screw Capacity : M4  
Air inlet : 1/4"

20 pieces in one carton



## RA-102

AIR Screwdriver (Twin Dog Type)  
Screw Capacity : M5  
Air inlet : 1/4"

20 pieces in one carton



## RA-105

AIR Screwdriver (Twin Dog Type)  
Screw Capacity : M6  
Air inlet : 1/4"

20 pieces in one carton



## RA-110

AIR Screwdriver (Twin Hammer Type)  
Screw Capacity : M6  
Air inlet : 1/4"

20 pieces in one carton



## RA-111

3/8" AIR Drive Screwdriver (Twin Hammer Type)  
Screw Capacity : M8  
Air inlet : 1/4"

20 pieces in one carton



## RA-1232

AIR Screwdriver (Twin Dog Type)  
Screw Capacity : M4  
Air inlet : 1/4"

12 pieces in one carton



## RA-1242

AIR Screwdriver (Twin Dog Type)  
Screw Capacity : M4  
Air inlet : 1/4"

12 pieces in one carton



## RA-1272

AIR Screwdriver (Twin Dog Type)  
Screw Capacity : M8  
Air inlet : 1/4"

12 pieces in one carton



	Chuck Size inch(mm)	Torque Range FT-LB(Nm)	Free Speed R.P.M	Avg. Air Consumption CFM (L/min)	Air Pressure PSI (bar)	Overall Length Inch (mm)	Net Weight LBS kg	Air Hose Inch	Sound Pressure dBA	Vibration Level m/s <sup>2</sup>
RA-101	1/4"(6.35)	3.7-8.9(5-12)	9000	6.0(170)	90(6.3)	6-1/2"(166)	1.32 0.6	3/8"	85.7	2.2
RA-102	1/4"(6.35)	3.7-10.3(5-14)	9000	6.0(170)	90(6.3)	6-3/4"(172)	1.54 0.7	3/8"	86.7	3.7
RA-105	1/4"(6.35)	3.7-16.2(5-22)	8500	8.5(241)	90(6.3)	8-1/4"(208)	2.20 1.0	3/8"	96.7	4.9
RA-110	1/4"(6.35)	3.7-29.5(5-40)	8500	8.5(241)	90(6.3)	8-1/4"(208)	2.20 1.0	3/8"	96.7	4.9
RA-111	3/8"(10.0)	3.7-36.9(5-50)	8500	8.5(255)	90(6.3)	8-1/4"(208)	2.20 1.0	3/8"	96.7	4.9
RA-1232	1/4"(6.35)	11-22 (15-30)	9000	4.5(127)	90(6.3)	7-11/16"(195)	1.47 0.67	3/8"	80.0	3.2
RA-1242	1/4"(6.35)	14-22 (19-30)	12500	5.0(170)	90(6.3)	6-11/16"(170)	1.25 0.57	3/8"	89.0	3.9
RA-1272	1/4"(6.35)	44-177(60-240)	8000	7.5(254)	90(6.3)	7-27/32"(200)	2.30 1.06	3/8"	97.0	5.1



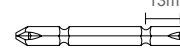
# AIR SCREWDRIVER

**PNEUMATIC TOOLS**  
GLOBAL EXPANSION



**RA-2272**  
AIR Screwdriver (Twin Dog Type)

Screw Capacity : M8  
Air inlet : 1/4"



10 pieces in one carton



**RA-606**

AIR Screwdriver (Twin Dog Type)

Screw Capacity : M6  
Air inlet : 1/4"

12 pieces in one carton

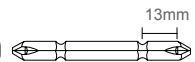


**RA-608**

AIR Screwdriver (Twin Dog Type)

Screw Capacity : M8  
Air inlet : 1/4"

12 pieces in one carton

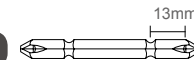


**RA-1132**

AIR Screwdriver Adjustable Clutch

Screw Capacity : M4  
Air inlet : 1/4"

10 pieces in one carton

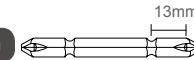


**RA-1141**

AIR Screwdriver Adjustable Clutch

Screw Capacity : M4  
Air inlet : 1/4"

10 pieces in one carton



**RA-1142**

AIR Screwdriver Adjustable Clutch

Screw Capacity : M4  
Air inlet : 1/4"

10 pieces in one carton

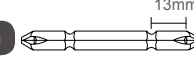


**RA-1162**

AIR Screwdriver Adjustable Clutch

Screw Capacity : M4  
Air inlet : 1/4"

10 pieces in one carton



**RA-201**

AIR Screwdriver (Twin Dog Type)

Screw Capacity : M6  
Air inlet : 1/4"

10 pieces in one carton



10 pieces in one carton

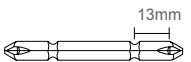


**RA-2242**

AIR Screwdriver (Twin Dog Type)

Screw Capacity : M5  
Air inlet : 1/4"

10 pieces in one carton



10 pieces in one carton



	Chuck Size inch(mm)	Torque Range FT-LB(Nm)	Free Speed R.P.M	Avg. Air Consumption CFM (L/min)	Air Pressure PSI (bar)	Overall Length Inch (mm)	Net Weight LBS kg	Air Hose Inch	Sound Pressure dBA	Vibration Level m/s <sup>2</sup>
RA-201	1/4"(6.35)	3.7-18.5(5-25)	10000	9.0(255)	90(6.3)	7"(180)	2.65 1.2	3/8"	93.0	5.3
RA-606	1/4"(6.35)	3.7-33.2(5-45)	8000	5.6(160)	90(6.3)	7-4/5"(198)	2.2 1.0	3/8"	82.0	2.2
RA-608	1/4"(6.35)	3.7-42.8(5-58)	8000	4.6(130)	90(6.3)	8-9/16"(217)	2.86 1.3	3/8"	86.0	3.5
RA-1132	1/4"(6.35)	0.7-2.2(1-3)	2200	6.0(170)	90(6.3)	9-7/32"(235)	1.7 0.8	3/8"	80.0	2.3
RA-1141	1/4"(6.35)	0.7-2.2(1-3)	800	4.5(127)	90(6.3)	8-7/8"(226)	1.6 0.76	3/8"	80.0	2.3
RA-1142	1/4"(6.35)	0.7-2.2(1-3)	1700	5.0(141)	90(6.3)	9-7/32"(235)	1.34 0.61	3/8"	80.0	2.0
RA-1162	1/4"(6.35)	1.5-5.9(2-8)	600	6.0(170)	90(6.3)	10-7/16"(265)	2.1 0.95	3/8"	90.0	2.2
RA-2242	1/4"(6.35)	18-26(24.4-35.2)	13000	7.0(240)	90(6.3)	5-15/16"(150)	2.0 0.9	3/8"	88.0	2.7
RA-2272	1/4"(6.35)	44-177(59-240)	7700	7.0(240)	90(6.3)	7-11/16"(195)	3.0 1.38	3/8"	93.0	4.9

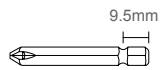


# AIR SCREWDRIVER



## RA-301

AIR Screwdriver Adjustable Clutch  
Screw Capacity : M4  
Air inlet : 1/4"

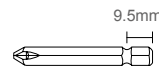


10 pieces in one carton



## RA-302

AIR Screwdriver Adjustable Clutch  
Screw Capacity : M6  
Air inlet : 1/4"

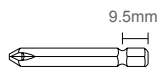


10 pieces in one carton



## RA-2161

AIR Screwdriver Adjustable Clutch  
Screw Capacity : M5  
Air inlet : 1/4"

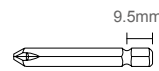


10 pieces in one carton



## RA-801

AIR Screwdriver Adjustable Clutch  
Screw Capacity : M4  
Air inlet : 1/4"

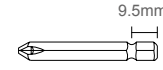


10 pieces in one carton



## RA-802

AIR Screwdriver Adjustable Clutch  
Screw Capacity : M6  
Air inlet : 1/4"

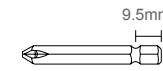


10 pieces in one carton



## RA-811

AIR Screwdriver (Positive Clutch Type)  
Screw Capacity : M6  
Air inlet : 1/4"

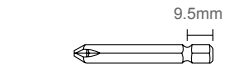


10 pieces in one carton



## RA-402

AIR Screwdriver (Positive Clutch Type)  
Screw Capacity : M6  
Air inlet : 1/4"



10 pieces in one carton

	Chuck Size inch(mm)	Torque Range FT-LB(Nm)	Free Speed R.P.M	Avg. Air Consumption CFM (L/min)	Air Pressure PSI (bar)	Overall Length Inch (mm)	Net Weight LBS kg	Air Hose Inch	Sound Pressure dBA	Vibration Level m/s <sup>2</sup>
RA-301	1/4"(6.35)	3.8-10(5-13.5)	1800	6.0(170)	90(6.3)	7-1/2"(190)	2.40 1.1	3/8"	95.3	4.2
RA-302	1/4"(6.35)	3.8-12(5-16.3)	800	6.0(170)	90(6.3)	9"(226)	2.80 1.3	3/8"	96.5	2.2
RA-402	1/4"(6.35)	5-14(6-19)	2200	3.9(111)	90(6.3)	7-3/32"(180)	2.47 1.1	3/8"	91.0	2.3
RA-801	1/4"(6.35)	3.8-10.4(5-14)	1800	4.0(113)	90(6.3)	7-3/4"(195)	2.70 1.20	3/8"	83.0	4.2
RA-802	1/4"(6.35)	3.8-13.3(5-18)	800	4.0(113)	90(6.3)	8-9/32"(210)	2.80 1.30	3/8"	83.0	4.2
RA-811	1/4"(6.35)	5.0-13.0(6-17)	2100	4.0(113)	90(6.3)	7"(178)	2.50 1.13	3/8"	83.0	3.7
RA-2161	1/4"(6.35)	1.4-3.7(2-5)	750	7.5(212)	90(6.3)	7-15/32"(190)	2.20 1.00	3/8"	80.0	2.0



# AIR SCREWDRIVER



**RA-1131**  
AIR Screwdriver Adjustable Clutch  
Screw Capacity : M4  
Air inlet : 1/4"



10 pieces in one carton



**RA-1151**  
AIR Screwdriver Adjustable Clutch  
Screw Capacity : M5  
Air inlet : 1/4"



10 pieces in one carton



**RA-30/RA-40/RA-50 SERIES**  
Shut-off Screwdriver  
Air inlet : 1/4"

- Proved by the life-time tester, these items can be operated continuously up to 1.5 million times.
- Industrial grade, excellent for long continuous operation on various mass production lines.
- Precise machined components, unique internal mechanism design.
- Low noise and vibration rate, high adjustable accuracy up to + - 5%.
- Pressing to start level, ergonomic design, compact volume, light weight, easy and comfortable to operate.



20 pieces in one carton



**ZT-31**  
Digital Torque Tester  
Torque Range 0~150kgf-cm



	Chuck Size inch(mm)	Torque Range IN-LB(Nm)	Free Speed R.P.M	Avg. Air Consumption CFM (L/min)	Air Pressure PSI (bar)	Overall Length Inch (mm)	Net Weight LBS kg	Air Hose Inch	Sound Pressure dBA	Vibration Level m/s <sup>2</sup>
RA-1131	1/4"(6.35)	0.7~2.9(1~4)	1800	4.5(127)	90(6.3)	9"(228)	1.6 0.76	3/8"	80.0	2.3
RA-1151	1/4"(6.35)	1.4~3.7(2~5)	1900	4.5(127)	90(6.3)	9-1/32"(229)	2.2 1.01	3/8"	85.0	2.3
RA-3011	1/4"(6.35)	9.7-18.5(1.1-2.1)	1100	3.2(90.2)	90(6.3)	7-3/8"(187)	0.94 0.42	1/4"	70.0	2.0
RA-3017	1/4"(6.35)	6.2-13.2(0.7-1.5)	1700	3.2(90.2)	90(6.3)	7-3/8"(187)	0.94 0.42	1/4"	70.0	2.0
RA-3023	1/4"(6.35)	3.5-8.8(0.4-1.0)	2300	3.2(90.2)	90(6.3)	7-3/8"(187)	0.94 0.42	1/4"	70.0	2.0
RA-4008	1/4"(6.35)	14.1-35.4(1.6-4.0)	800	3.7(104.3)	90(6.3)	8-1/4"(209)	1.43 0.65	1/4"	74.0	2.5
RA-4015	1/4"(6.35)	8.8-19.4(1.0-2.2)	1500	3.7(104.3)	90(6.3)	8-1/4"(209)	1.43 0.65	1/4"	74.0	2.5
RA-4021	1/4"(6.35)	8.8-13.2(1.0-1.7)	2100	3.7(104.3)	90(6.3)	8-1/4"(209)	1.43 0.65	1/4"	74.0	2.5
RA-5005	1/4"(6.35)	44.2-92.9(5.0-10.5)	480	4.0(112.8)	90(6.3)	9-1/2"(240)	2.2 1.0	3/8"	75.0	10
RA-5008	1/4"(6.35)	26.5-48.6(3.0-5.5)	800	4.0(112.8)	90(6.3)	9-1/2"(240)	2.2 1.0	3/8"	75.0	10
RA-5017	1/4"(6.35)	13.2-23.0(1.5-2.6)	1700	4.0(112.8)	90(6.3)	9-1/2"(240)	2.2 1.0	3/8"	75.0	10

# SPRING BALANCER

- The Install Hook can perform 360 degree revolving.
- Durable Aluminum die casting housing.
- Outfit with anti-dropping steel wire installation hole.(must be installed to avoid the failure of the original mounting location)
- Enclosed type of lifting hook and install hook
- Tool anti-dropping device is provided in case of the spring breaking. (Available with balancer specs above 9 kgs)
- High durable spring

**SP-101/102/103**  
**SP-104/105/111**  
**SP-112/113**

Spring Balancer

30 pieces in one carton



**SP-212/SP-213**  
Spring Balancer

30 pieces in one carton



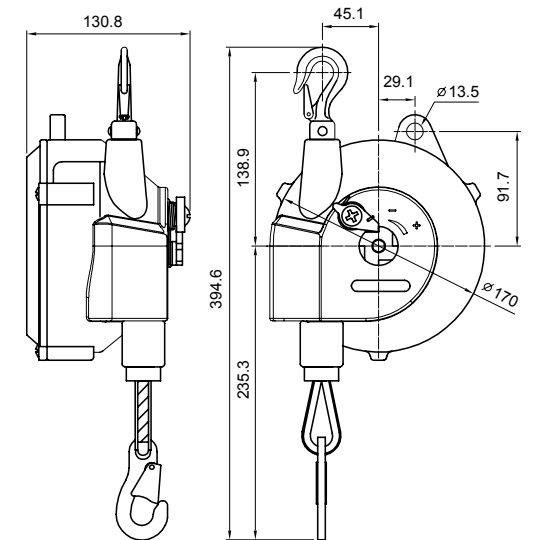
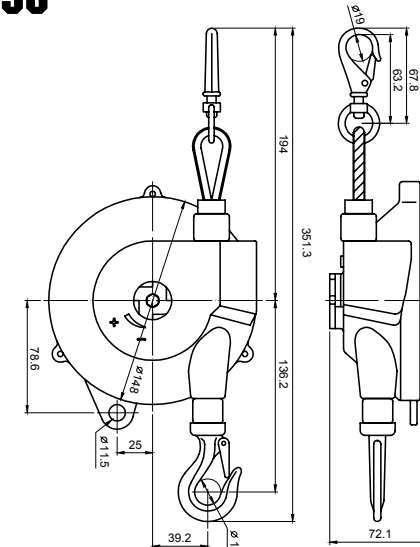
**SP-3050/3070**  
**SP-3090/3150**

Spring Balancer

2 pieces in one carton

SP-3050-3070  
unit:mm

SP-3090-3150  
unit:mm



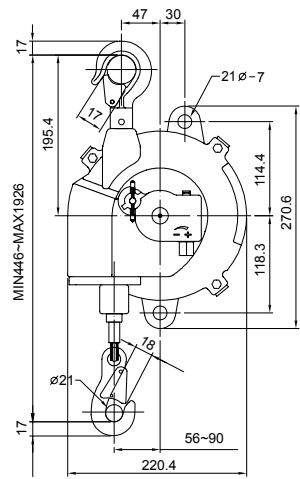
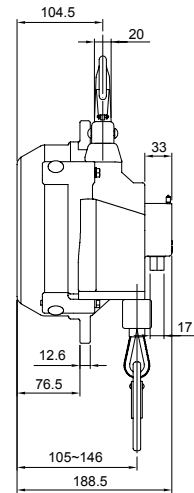
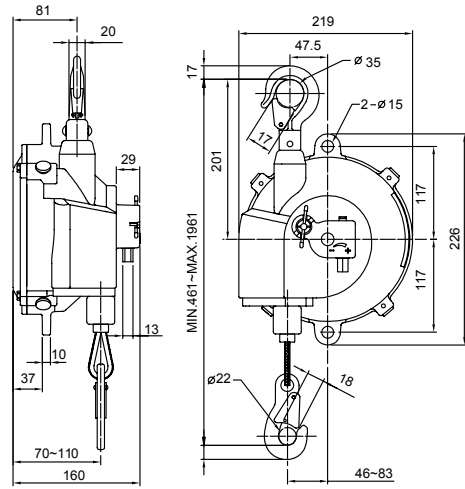
	Capacity Kg	Travel m	Rope	Rope Dia mm	Weight kg
SP-101	0.3~0.8	1.6	Cable	2.5	0.49
SP-102	0.6~1.5	1.6	Cable	2.5	0.52
SP-103	1.0~2.0	1.6	Cable	2.5	0.53
SP-104	1.5~3.0	1.5	Cable	3.2	0.76
SP-105	3.0~5.0	1.5	Cable	3.2	0.81
SP-111	0.3~0.8	1.6	Nylon	2.5	0.49
SP-112	0.6~1.5	1.6	Nylon	2.5	0.52
SP-113	1.0~2.0	1.6	Nylon	2.5	0.53

	Capacity Kg	Travel m	Rope	Rope Dia mm	Weight kg
SP-212	0.3~1.2	1.6	Nylon	4.0	0.57
SP-213	0.8~2.0	1.6	Nylon	4.0	0.57
SP-3050	3.0~5.0	1.3	Cable	3.2	1.82
SP-3070	5.0~7.0	1.3	Cable	3.2	1.85
SP-3090	5.0~9.0	1.3	Cable	4.0	3.59
SP-3150	9.0~15.0	1.3	Cable	4.0	3.61



**SP-3220/3300**  
Spring Balancer

2 pieces in one carton

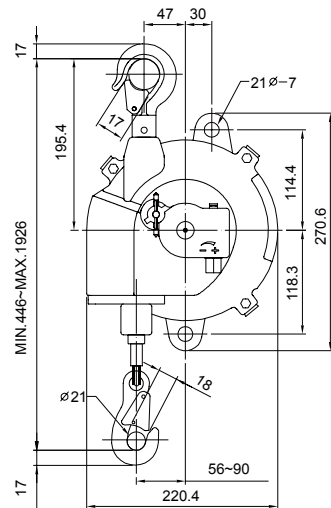
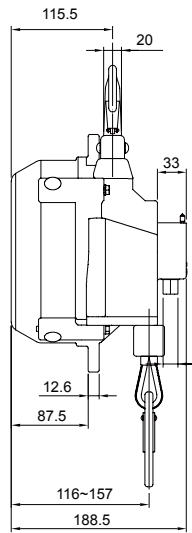


**SP-3400**  
**SP-3500**  
Spring Balancer

2 pieces in one carton

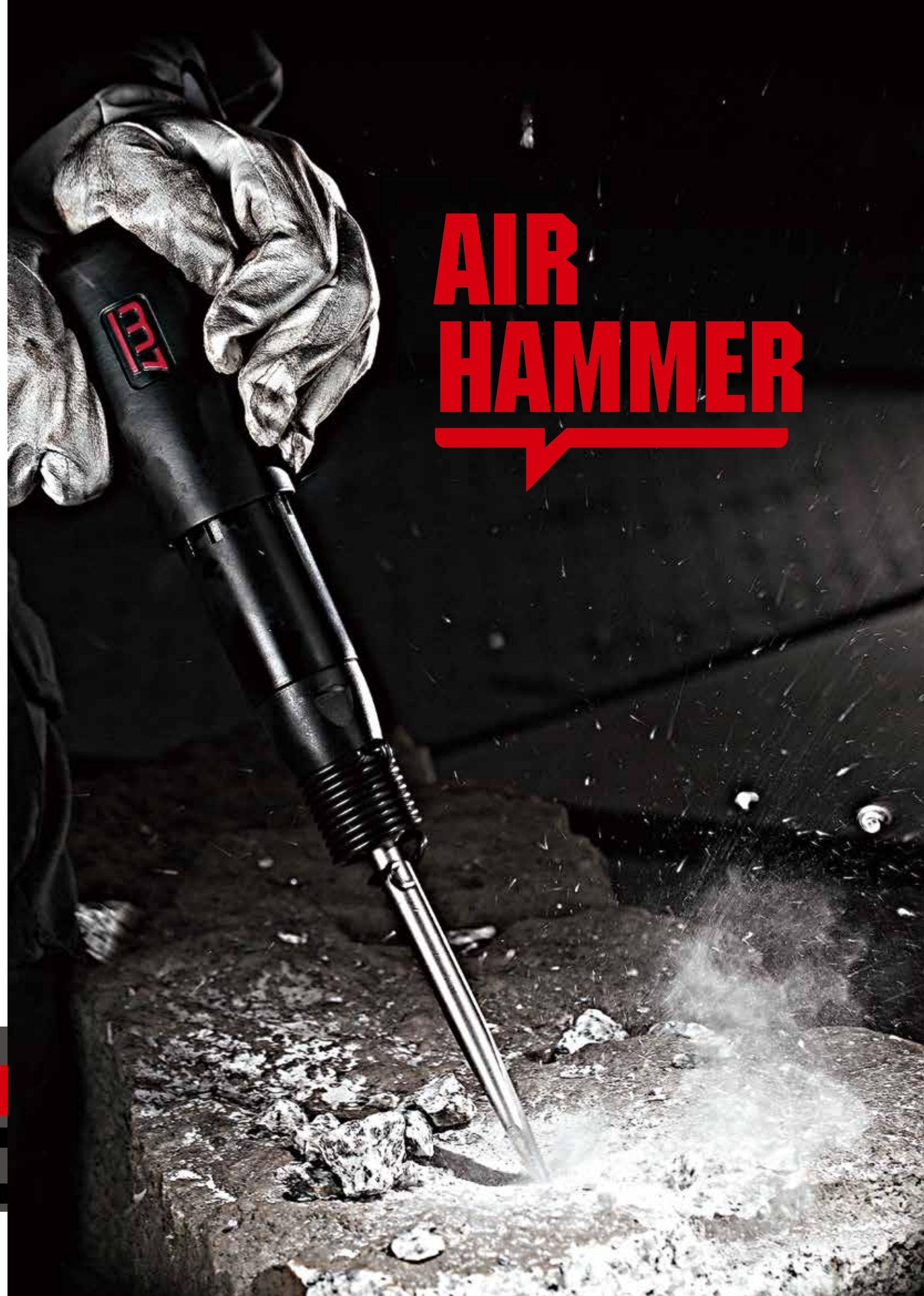
**SP-3600**  
**SP-3700**  
Spring Balancer

2 pieces in one carton



	Capacity Kg	Travel m	Rope	Rope Dia mm	Weight kg
SP-3220	15.0-22.0	1.3	Cable	4.8	7.7
SP-3300	22.0-30.0	1.3	Cable	4.8	8.3
SP-3400	30.0-40.0	1.5	Cable	4.8	9.7

	Capacity Kg	Travel m	Rope	Rope Dia mm	Weight kg
SP-3500	40.0-50.0	1.5	Cable	4.8	10.1
SP-3600	50.0-60.0	1.5	Cable	4.8	11.1
SP-3700	60.0-70.0	1.5	Cable	4.8	11.4



**AIR  
HAMMER**





# SC-331C SC-341C

Low Vibration Air Hammer  
Air Hammer Round Shank  
Air Hammer Hex Shank

SC-4 chisel kit is provided along with the tool.

Air inlet : 1/4"

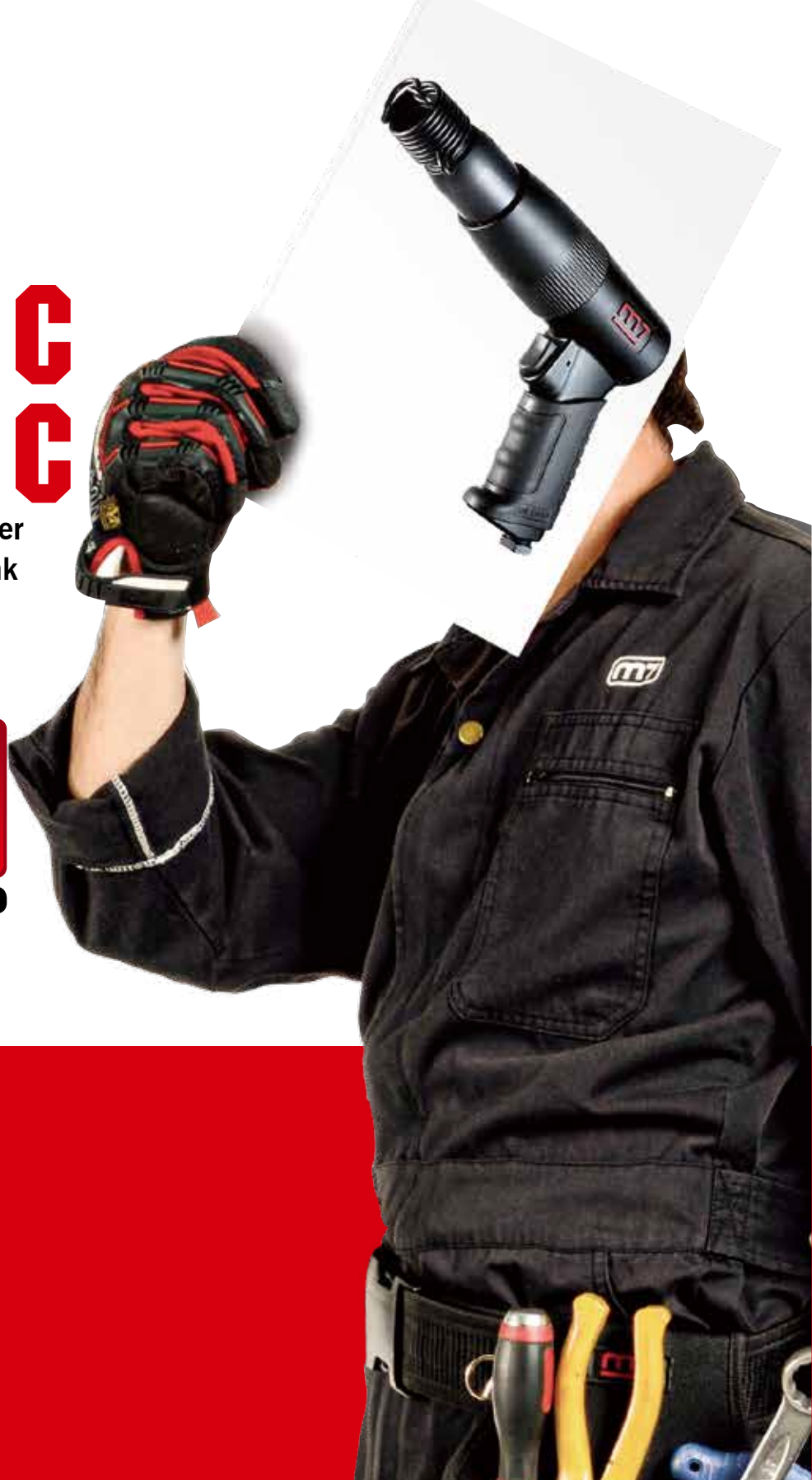
10 pieces in one carton

**30%**  
Lower  
Vibration

**20%**  
Longer  
Life-time

Compare With ordinary models

- Vibration-reduced grip
- Reduce vibration by controlling air passage



# SC-332C SC-342C

Air Hammer Round Shank  
Air Hammer Hex Shank

SC-4 chisel kit is provided along with the tool.

Air inlet : 1/4"

10 pieces in one carton

**30%**  
Lower  
Vibration

**20%**  
Longer  
Life-time



**PNEUMATIC  
TOOLS**  
GLOBAL EXPANSION



# SC-211C SC-221C

Air Hammer Round Shank  
Air Hammer Hex Shank

SC-4 chisel kit is provided along with the tool.

Air inlet : 1/4"

10 pieces in one carton



# SC-212C SC-222C

Air Hammer Round Shank  
Air Hammer Hex Shank

SC-4 chisel kit is provided along with the tool.

Air inlet : 1/4"

10 pieces in one carton



Shank	Chuck Size	Stroke Length	Bolw Per Minute	Avg. Air Consumption	Air Pressure	Overall Length	Net Weight	Air Hose	Sound Pressure	Vibration Level
	inch(mm)	mm	bpm	CFM (L/min)	PSI (bar)	Inch (mm)	LBS kg	Inch	dBA	m/s <sup>2</sup>
SC-331C	●	0.401(10.2)	71	3000	7.8(113)	7-31/64"(190)	3.7 1.70	3/8"	92.0	9.5
SC-341C	●	0.401(10.2)	71	3000	4.0(113)	7-31/64"(190)	4.4 2.00	3/8"	94.7	9.5

Shank	Chuck Size	Stroke Length	Bolw Per Minute	Avg. Air Consumption	Air Pressure	Overall Length	Net Weight	Air Hose	Sound Pressure	Vibration Level
	inch(mm)	mm	bpm	CFM (L/min)	PSI (bar)	Inch (mm)	LBS kg	Inch	dBA	m/s <sup>2</sup>
SC-211C	●	0.401(10.2)	67	3200	4.0(113)	6-7/8"(175)	3.7 1.7	3/8"	98.0	12.3
SC-221C	●	0.393(10)	67	3200	4.0(113)	6-7/8"(175)	3.7 1.7	3/8"	98.0	12.3
SC-212C	●	0.401(10.2)	89	2200	4.0(113)	8-7/8"(225)	4.4 2.0	3/8"	94.7	13.2
SC-222C	●	0.393(10)	89	2200	4.0(113)	8-7/8"(225)	4.4 2.0	3/8"	94.7	13.2
SC-332C	●	0.401(10.2)	92	2200	8.2(232)	8-63/64"(228)	4.4 2.0	3/8"	94.0	10.6
SC-342C	●	0.393(10)	92	2200	4.0(113)	8-63/64"(228)	4.4 2.0	3/8"	94.7	10.6



# AIR HAMMER

## SC-07C[SET]

Air Hammer

- 1pc- Air Hammer (Various Selections)
- 5pcs-Chisel Kits
- 1pc- Spring Retainer

5 pieces in one carton



Item No.	Shank	Contents	Item No.	Shank	Contents
SC-0517C	Round Shank	SC-211C	SC-0617C	Hex Shank	SC-221C
SC-0527C	Round Shank	SC-212C	SC-0627C	Hex Shank	SC-222C

## SN-1032

Air Flux Chipper  
Air inlet : 1/4"

12 pieces in one carton



include the chisel

## SN-3111C/3112C/3113C/3114C SN-3121C/3122C/3123C/3124C

AIR Chipping Hammer

Air inlet : 1/2"

2 pieces in one carton



include the chisel

## SN-3212C/3213C/3214C SN-3222C/3223C/3224C

AIR Chipping Hammer

Air inlet : 1/2"

2 pieces in one carton



include the chisel

## SC-33C/34C

Needle Scaler Adaptor for Air Hammer Tools use  
Round / Hex  
19pcs 3mmx180mm

- SC-33C - / Round
- SC-34C - / Hex

20 pieces in one carton

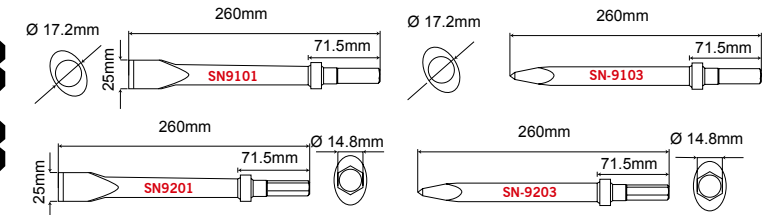


Item No.	Shank	Contents
SC-33C	Round Shank	SC-211/212/331/332
SC-34C	Hex Shank	SC-221/222/341/342



## SN-9101/9103 SN-9201/9203

Chisel For SN-31/SC-32 SERIES



include the chisel

Shank	Chuck Size	Stroke Length	Bolw Per Minute	Avg. Air Consumption	Air Pressure	Overall Length	Net Weight	Air Hose	Sound Pressure	Vibration Level
	inch(mm)	mm	bpm	CFM (L/min)	PSI (bar)	Inch (mm)	LBS kg	Inch	dBA	m/s <sup>2</sup>
SN-1032	0.51(13)	33	4000	4.23(120)	90(6.3)	11-1/2"(290)	2.9 1.33	3/8"	91.0	14.5
SN-3111	0.68(17.2)	75	2500	10.0(283)	90(6.3)	15-1/2"(395)	15.4 7.0	1/2"	115.3	8.0
SN-3121	0.58(14.8)	75	2500	10.0(283)	90(6.3)	15-1/2"(395)	15.4 7.0	1/2"	115.3	8.0
SN-3112	0.68(17.2)	90	2300	20.0(566)	90(6.3)	16"(405)	16.1 7.3	1/2"	114.3	9.4
SN-3122	0.58(14.8)	90	2300	20.0(566)	90(6.3)	16"(405)	16.1 7.3	1/2"	114.3	9.4
SN-3113	0.68(17.2)	127	2000	22.0(622.6)	90(6.3)	17-3/4"(450)	17.6 8.0	1/2"	113.3	4.8
SN-3123	0.58(14.8)	127	2000	22.0(622.6)	90(6.3)	17-3/4"(450)	17.6 8.0	1/2"	113.3	4.8
SN-3114	0.68(17.2)	154	1600	24.0(679.2)	90(6.3)	18-1/2"(470)	18.3 8.3	1/2"	114.1	6.2
SN-3124	0.58(14.8)	154	1600	24.0(679.2)	90(6.3)	18-1/2"(470)	18.3 8.3	1/2"	114.1	6.2
SN-3212	0.68(17.2)	78	2300	5.0(141.5)	90(6.3)	14-5/8"(373)	17.2 7.8	1/2"	114.3	9.4
SN-3222	0.58(14.8)	78	2300	5.0(141.5)	90(6.3)	14-5/8"(373)	17.2 7.8	1/2"	114.3	9.4
SN-3213	0.68(17.2)	119	1900	5.6(158.5)	90(6.3)	16-1/2"(419)	18.7 8.5	1/2"	113.3	4.8
SN-3223	0.58(14.8)	119	1900	5.6(158.5)	90(6.3)	16-1/2"(419)	18.7 8.5	1/2"	113.3	4.8
SN-3214	0.68(17.2)	142	1700	5.9(167.0)	90(6.3)	17-1/2"(445)	19.4 8.8	1/2"	114.1	6.2
SN-3224	0.58(14.8)	142	1700	5.9(167.0)	90(6.3)	17-1/2"(445)	19.4 8.8	1/2"	114.1	6.2



# AIR NEEDLE SCALER

★★★      
**SN-1368**

Air Needle Scaler  
Air inlet : 1/4"

10 pieces in one carton



**50%**  
longer  
lifetime

**10%**  
more  
Powerful

- Strengthened internal parts to raise lifespan by one time
- Strengthened front casing mechanism, not tend to wear out
- Quick accessory change for needles or chisels
- Adjust spring easily and effortlessly

★★      
**SN-1268**

Air Needle Scaler  
Air inlet : 1/4"

10 pieces in one carton



★★      
**SN-1288**

Air Needle Scaler  
Air inlet : 1/4"

10 pieces in one carton



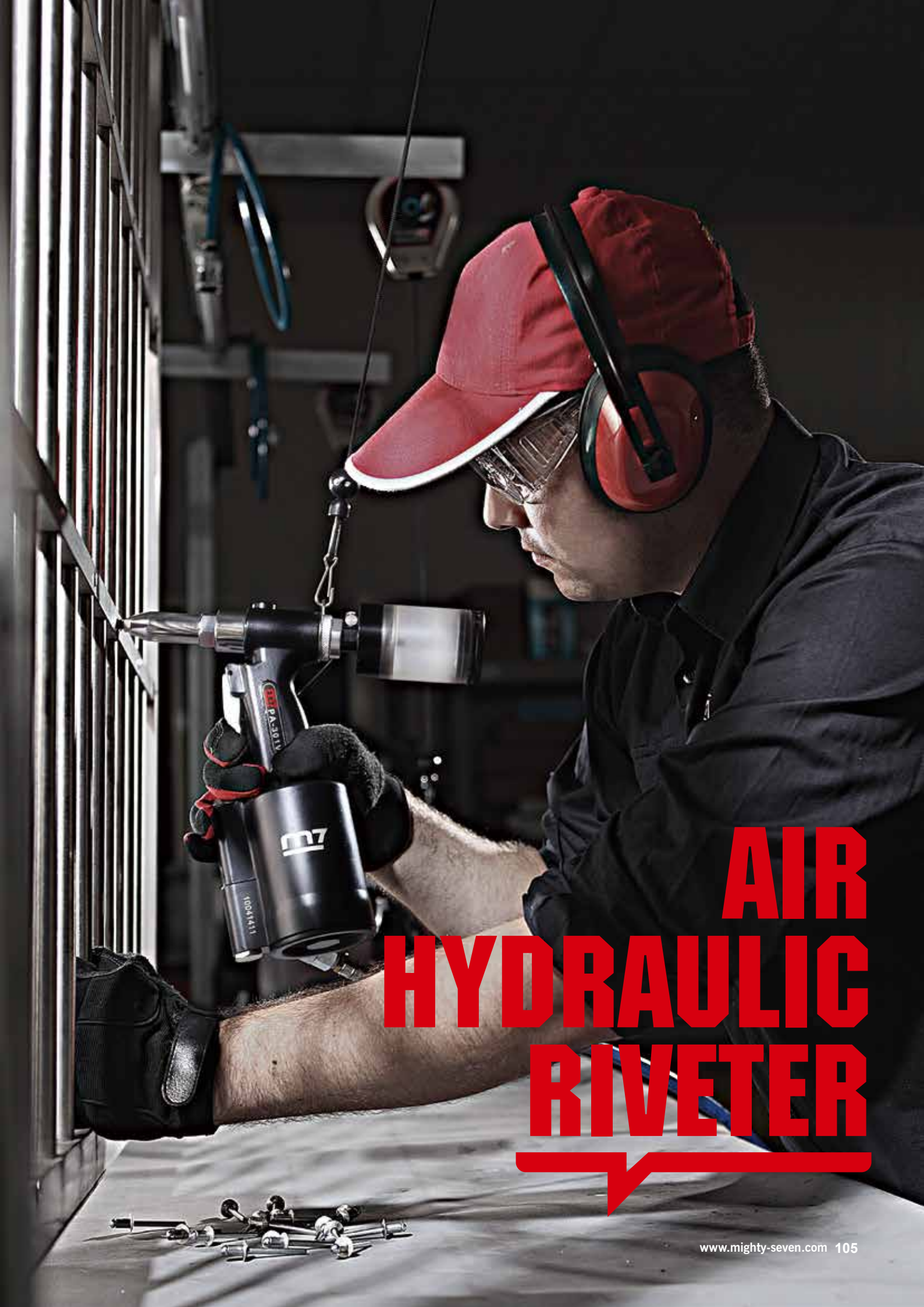
★★      
**SN-2110**

Air Pistol Needle Scaler  
Air inlet : 1/4"

10 pieces in one carton



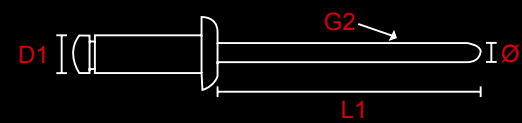
	Needle Diameter mm	Numbers of Needle inch(mm)	Stroke Length mm	Bolw Per Minute bpm	Avg. Air Consumption CFM (L/min)	Air Pressure PSI (bar)	Overall Length Inch (mm)	Net Weight LBS kg	Air Hose Inch	Sound Pressure dBA	Vibration Level m/s²
SN-1268	3x180	19	28	4600	15(424)	90(6.3)	18-1/8"(460)	6.1 2.80	3/8"	91.0	13.7
SN-1288	3x125	12	32	5500	3(84.96)	90(6.3)	11-3/8"(290)	2.8 1.30	3/8"	86.0	7.6
SN-1368	3x180	19	27	3400	16(453)	90(6.3)	17"(430)	5.9 2.70	3/8"	91.0	13.7
SN-2110	3x180	19	33	3700	15(424)	90(6.3)	13"(330)	6.1 2.80	3/8"	97.0	9.7



# AIR HYDRAULIC RIVETER



RIVET	MATERIAL		RIVET DIAMETER (ØMM)						
	RIVET	MANDREL	(2.5) 2.4	(3.0) 3.2	4.0	(5.0) 4.8	6.4	7.2	8.0
PA-111	aluminum	aluminum							
	aluminum	steel							
	steel	steel							
	stainless	stainless							
PA-201	aluminum	aluminum							
	aluminum	steel							
	steel	steel							
	stainless	stainless							
PA-201V	aluminum	aluminum							
	aluminum	steel							
	steel	steel							
	stainless	stainless							
PA-211	aluminum	aluminum							
	aluminum	steel							
	steel	steel							
	stainless	stainless							
PA-301	aluminum	aluminum							
	aluminum	steel							
	steel	steel							
	stainless	stainless							
PA-301V	aluminum	aluminum							
	aluminum	steel							
	steel	steel							
	stainless	stainless							
PA-301MV	aluminum	aluminum							
	aluminum	steel							
	steel	steel							
	stainless	stainless							
PA-321	aluminum	aluminum							
	aluminum	steel							
	steel	steel							
	stainless	stainless							
PA-202	aluminum	aluminum							
	aluminum	steel							
	steel	steel							
	stainless	stainless							
PA-312	aluminum	aluminum							
	aluminum	steel							
	steel	steel							
	stainless	stainless							
PA-401V	aluminum	aluminum							
	aluminum	steel							
	steel	steel							
	stainless	stainless							
PA-401MV	aluminum	aluminum							
	aluminum	steel							
	steel	steel							
	stainless	stainless							
PA-211TS	aluminum	aluminum							
	aluminum	steel							
	steel	steel							
	stainless	stainless							



	Rivet (D1)	Mandrel (L1)	Rivet Dia. (Ø)
Blind Rivet	2.4mm	above27mm	1.42~1.51(G2)
	3.2mm	above28mm	1.83~1.92(G2)
	4.0mm	above29mm	2.28~2.42(G2)
	4.8mm	above30mm	2.64~2.91(G2)
PA-211TS	6.4mm	above30mm	3.84~4.15(G2)
	6.4mm	above40mm	3.84~4.15(G2)
	8.0mm	above40mm	4.35~4.65(G2)

### Hydraulic cylinder Recommended Oil

SHELL Tellus NO.46  
 ESSO Teresso NO.46  
 MOBIL D.T.E 25 oil  
 USM Spec NO.300B Oil  
 CPC Circulation Oil R68  
 106www.mighty-seven.com



## PA-111

Air Hydraulic Riveter  
 Air inlet : 1/4"

4 pieces in one carton



## PA-201

Air Hydraulic Riveter  
 Air inlet : 1/4"

6 pieces in one carton



## PA-211

Air Hydraulic Riveter  
 Air inlet : 1/4"

6 pieces in one carton



## PA-301

Air Hydraulic Riveter  
 Air inlet : 1/4"

10 pieces in one carton



## PA-321

Air Hydraulic Riveter  
 Air inlet : 1/4"

6 pieces in one carton




	Traction Power lb.-f.(kg.-f)	Stroke Length mm	Capacity mm	Air Pressure PSI (bar)	Avg. Air Consumption L/cycle	Net Weight LBS kg	Air Hose Inch	Sound Pressure dBA	Vibration Level m/s <sup>2</sup>
PA-111	4100(1860)	26	4.8-6.4	90(6.3)	2.88	6.6 3.00	3/8"	82.0	0.8
PA-201	3534(1603)	14	2.4-6.4	90(6.3)	2.32	3.9 1.80	3/8"	79.7	0.5
PA-211	3748(1700)	18	2.4-6.4	90(6.3)	2.9	3.8 1.75	3/8"	79.7	0.8
PA-301	2303(1045)	16	2.4-4.8	90(6.3)	1.48	3.3 1.50	3/8"	79.7	0.3
PA-321	2612(1185)	22	2.4-4.8	90(6.3)	1.48	3.3 1.50	3/8"	79.7	0.4




# AIR HYDRAULIC RIVETER




★★★   
**PA-401MV**  
Air Hydraulic Riveter Vacuum Type  
Air inlet : 1/4"  
6 pieces in one carton



★★★   
**PA-312**  
Air Hydraulic Riveter  
Air inlet : 1/4"  
6 pieces in one carton




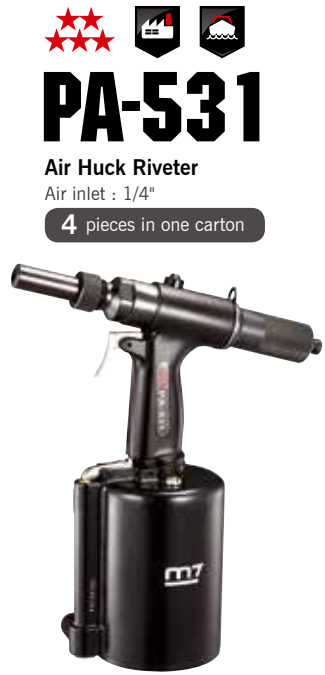
★★★   
**PA-202**  
Air Hydraulic Riveter  
Air inlet : 1/4"  
6 pieces in one carton




★★★   
**PA-201V**  
Air Hydraulic Riveter Vacuum Type  
Air inlet : 1/4"  
6 pieces in one carton




★★★   
**PA-541**  
Air Huck Riveter  
Air inlet : 1/4"  
4 pieces in one carton



★★★   
**PA-531**  
Air Huck Riveter  
Air inlet : 1/4"  
4 pieces in one carton




★★★   
**PA-312**  
Air Hydraulic Riveter  
Air inlet : 1/4"  
6 pieces in one carton



★★★   
**PA-401V**  
Air Hydraulic Riveter Vacuum Type  
Air inlet : 1/4"  
6 pieces in one carton



★★★   
**PA-301MV**  
Air Hydraulic Riveter Vacuum Type  
Air inlet : 1/4"  
6 pieces in one carton



★★★   
**PA-301V**  
Air Hydraulic Riveter Vacuum Type  
Air inlet : 1/4"  
6 pieces in one carton

	Traction Power lb.-f/(kg.-f)	Stroke Length mm	Capacity mm	Air Pressure PSI (bar)	Avg. Air Consumption L/cycle	Net Weight LBS kg	Air Hose Inch	Sound Pressure dBA	Vibration Level m/s <sup>2</sup>
PA-531	4100(1860)	23	4.8	90(6.3)	2.88	6.6 3.00	3/8"	82.0	0.8
PA-541	4100(1860)	23	6.4	90(6.3)	2.88	6.6 3.00	3/8"	82.0	0.8
PA-201V	3534(1603)	14	2.4-6.4	90(6.3)	2.32	3.9 1.79	3/8"	79.7	0.5
PA-301V	2303(1045)	16	2.4-4.8	90(6.3)	1.48	3.3 1.50	3/8"	79.7	0.3
PA-301MV	2303(1045)	16	2.4-4.8	90(6.3)	1.48	3.3 1.50	3/8"	79.7	0.3
PA-401V	1532(695)	16	2.4-4.0	90(6.3)	0.67	2.5 1.25	3/8"	79.7	0.3
PA-401MV	1532(695)	16	2.4-4.0	90(6.3)	0.67	2.5 1.25	3/8"	79.7	0.3
PA-202	2460(1200)	14	3.2-6.4	90(6.3)	1.8	4.2 1.91	3/8"	79.7	0.3
PA-312	1983(900)	18	2.4-4.8	90(6.3)	1.8	3.8 1.74	3/8"	75.3	0.4



# AIR HYDRAULIC RIVETER



## PA-211TS

Air Hydraulic Riveter  
Air inlet : 1/4"

6 pieces in one carton



## PB-1305 PB-1308 PB-1310

Air Rivet Nut Tool  
Air inlet : 1/4"

- Automatic mechanism to quickly push up and pull back rivet
- Quick release clip design to change spindle easily
- Two trigger design for quick forward/reverse operation

12 pieces in one carton



## PB-2402

Air Nut Setter  
Air inlet : 1/4"

6 pieces in one carton



## PB-1312

Air Rivet Nut Tool  
Air inlet : 1/4"



**PNEUMATIC TOOLS**  
GLOBAL EXPANSION



## PC-1012

Air Tapping Tool  
Air inlet : 1/4"

4 pieces in one carton



Collet	Metric	SAE
T4	3	1/8"
T5	4	5/62"
T5.5	5	3/16"
T6	6	1/4"
T6.2	7	5/16"
T7	8	3/8"
T8.5	10	7/16"

## PA-MC

Automatic Mandrel Collection

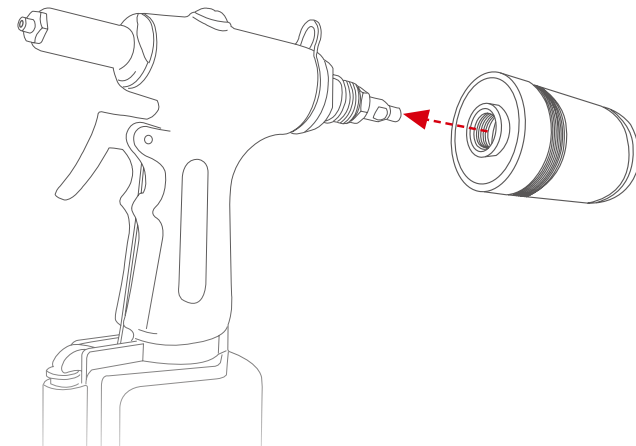
### CONTENTS

- 3/32"(2.4mm) 220pcs
- 1/8" (3.2mm) 160pcs
- 5/32"(4.0mm) 110pcs
- 3/16"(4.8mm) 80pcs



## PE-MC

Automatic Mandrel Collection



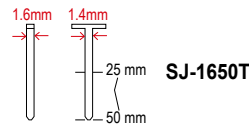
	Capacity			Free Speed	Stroke Length	Avg. Air Consumption	Air Pressure	Net Weight		Air Hose	Sound Pressure	Vibration Level
	steel	copper	aluminum	R.P.M	inch( mm )	L/cycle	PSI (bar)	LBS	kg	Inch	dBA	m/s²
PC-1012	M3-M10	M3-M12	M3-M12	265	10-7/16"(265)	4.0(113)	90(6.3)	4.7	2.1	3/8"	89	1.5

	Traction Power	Free Speed	Stroke Length	Capacity	Air Pressure	Avg. Air Consumption	Net Weight		Air Hose	Sound Pressure	Vibration Level
	lb-(kg-f)	R.P.M	mm	mm	PSI (bar)	L/cycle	LBS	kg	Inch	dBA	m/s²
PB-1305	----	1200	----	M3.M4.M5	90(6.3)	7.8	2.42	1.10	3/8"	86.0	1.6
PB-1308	----	600	----	M6.M8	90(6.3)	7.8	2.86	1.30	3/8"	86.0	1.6
PB-1310	----	400	----	M10. M12	90(6.3)	7.8	2.80	1.30	3/8"	86.0	1.6
PB-1312	----	400	----	M10-M12	90(6.3)	7.8	2.79	1.28	3/8"	86.0	1.6
PB-2402	3638(1650)	----	9	Steel M4-M10 Stainless M4-M8	90(6.3)	1.50	3.40	1.55	3/8"	82.0	0.8
PA-211TS	3748(1700)	----	18	2.4-6.4	90(6.3)	2.90	3.80	1.75	3/8"	79.7	0.8

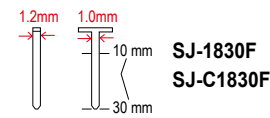


# AIR NAILER AIR STAPLER

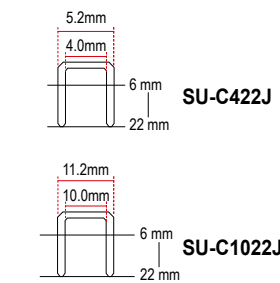
**SJ-1650T**  
Air Nailer  
Air inlet : 1/4" **Safety trigger**



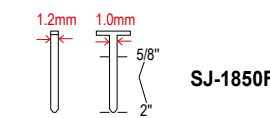
**SJ-1830F**  
**SJ-C1830F**  
Air Nailer  
Air inlet : 1/4" **Safety trigger**



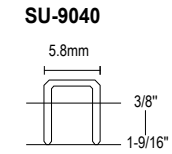
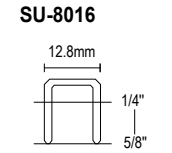
**SU-C422J**  
**SU-C1022J**  
Air Stapler  
Air inlet : 1/4"



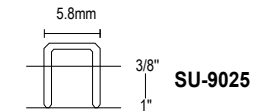
**SJ-1850F**  
Air Nailer  
Air inlet : 1/4"



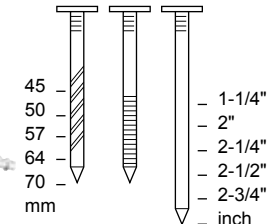
**SU-8016**  
**SU-9025**  
Air Stapler  
Air inlet : 1/4"



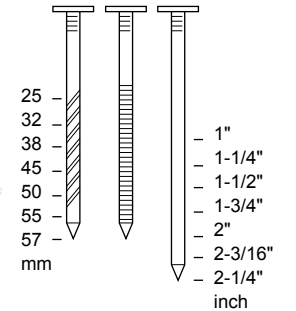
**SU-9040**  
Air Stapler  
Air inlet : 1/4"



**SJ-CN55** **New**  
Coil Nailer  
Air inlet : 1/4"



**SJ-CN70** **New**  
Coil Nailer  
Air inlet : 1/4"

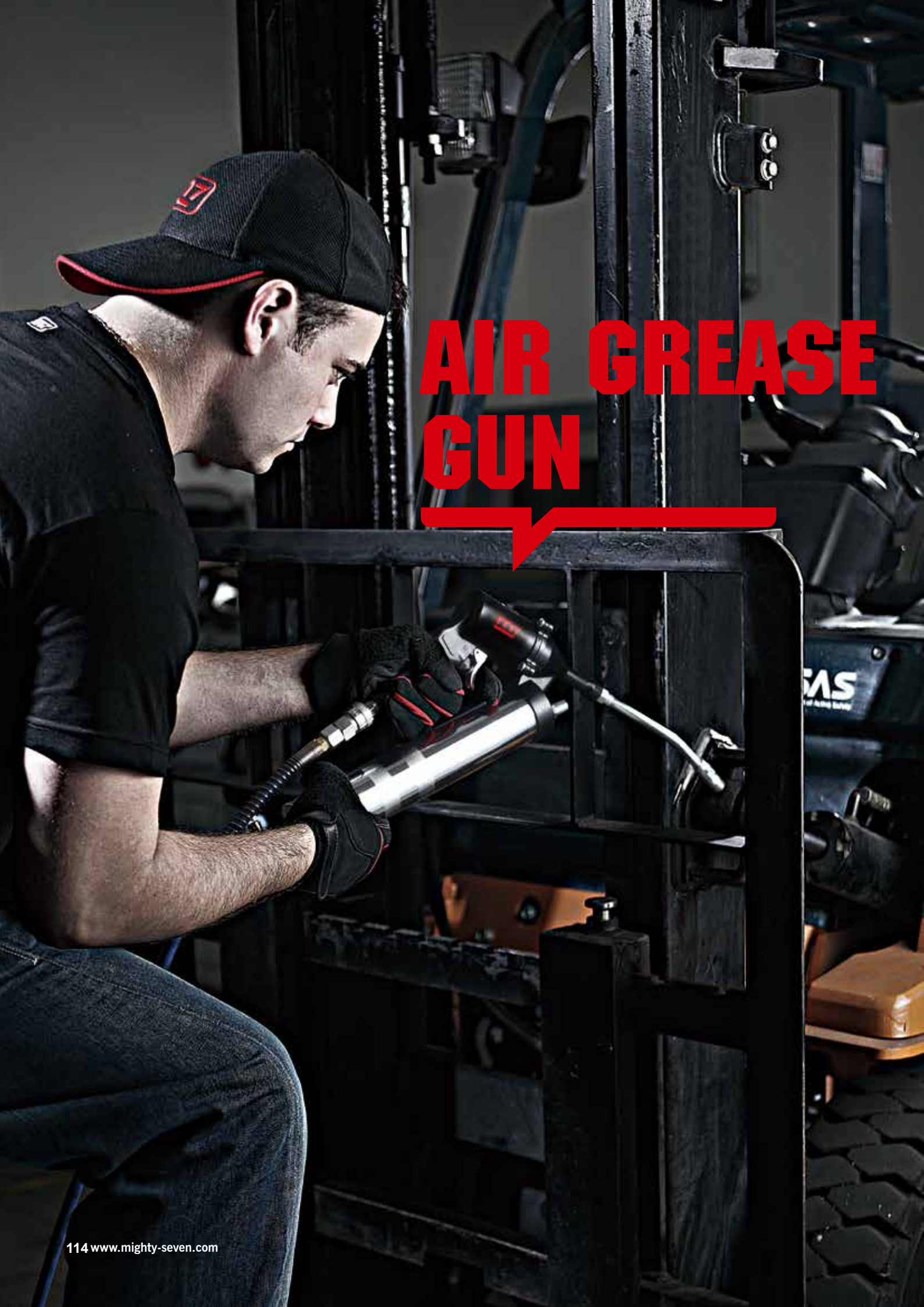


	Shank Dia. mm	Head Dia. mm	Nail Length mm	Collated	Driving Power (ft-lb)	Load Capacity	Dimensions (H*W*L)mm	Weight kg	Working Pressure PSI
SJ-CN55	2.1-2.3	5.0-5.7	25-57	Wire	36.54	300-350	283*131*270	2.8	90
SJ-CN70	2.3-2.9	5.7-7.0	25-57	Wire	61.07	150-300	303*129*307	3.7	90

	Gauge	Nail Length mm(inch)	Shank Thickness mm	Shank Width mm	Load Capacity Nails	Weight kgs	Working Pressure PSI
SJ-1650T	16	25-50(3/4"-2")	1.4	1.6	100	2.35	90
SJ-1830F	18	10-30(3/8"-1-1/6")	1.0	1.2	100	1.20	90
SU-C422J	20	6-22(1/4"-7/8")	5.2	1.15*0.58	100	1.15	90
SU-C1022J	20	6-22(1/4"-7/8")	11.2	1.15*0.58	100	1.20	90
SJ-1850F	18	(15-50)5/8"-2"	1.0	1.2	100	1.40	90
SU-8016	21	(6-16)1/4"-5/8"	12.8	0.95*0.65	100	0.96	90
SU-9025	18	(10-25)3/8"-1"	5.8	1.25*1.0	100	1.10	90
SU-9040	18	(19-40)3/8"-1-9/16"	5.8	1.25*1.0	100	2.18	90

**PNEUMATIC TOOLS**  
GLOBAL EXPANSION





# AIR GREASE GUN

**PNEUMATIC TOOLS**  
GLOBAL EXPANSION



## SG-400/500

Air Grease Gun  
Air inlet : 1/4"  
Note: SG-500 for Australia

10 pieces in one carton



## SG-400C

Composite Air Grease Gun  
Air inlet : 1/4"

10 pieces in one carton

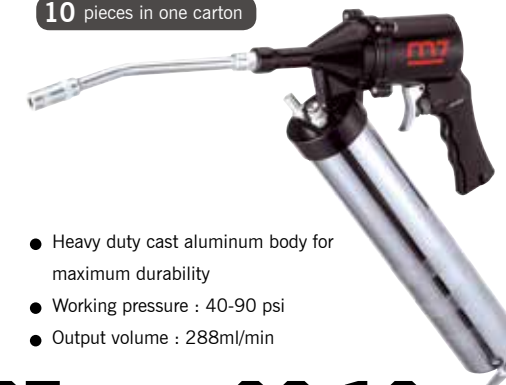


## SG-401/501

Air Grease Gun / Continuous Type  
Air inlet : 1/4"

Note: SG-501 for Australia

10 pieces in one carton



- Heavy duty cast aluminum body for maximum durability
- Working pressure : 40-90 psi
- Output volume : 288ml/min

## SG-101

Lubrication Kit  
50 pieces in one carton



## SO-10T

Lubrication Kit  
8 pieces in one carton



## SO-10

Lubrication  
50 pieces in one carton



	Air Inlet inch	Working Pressure kgf/cm <sup>2</sup>	Proof Pressure kgf/cm <sup>2</sup>	Capacity C.C	Air Hose Inch	Net Weight LBS kg	Sound Pressure dBA	Vibration Level m/s <sup>2</sup>
SG-400	1/4"	2.8-8.4	10.5	400	3/8"	3.2 1.46	80.2	0.7
SG-500	1/4"	2.8-8.4	10.5	500	3/8"	3.52 1.6	80.2	0.7
SG-400C	1/4"	2.8-8.4	10.5	400	3/8"	2.2 1.0	81.4	0.6
SG-401	1/4"	2.8-8.4	10.5	400	3/8"	3.52 1.6	74.0	2.0
SG-501	1/4"	2.8-8.4	10.5	500	3/8"	3.74 1.7	74.0	2.0



# AIR BLOW GUN

## JC-304 / JC-310 / JC-313 JC-320 / JC-340

Air Blow Gun  
Air inlet : 1/4"

- Steel nozzle provides long life on the tool.
- Used for cleaning.
- Special Hi-tech material provide durable, quiet and comfortable operation preventing user fatigue.



## JC-405 / JC-410 / JC-412 New JC-424 / JC-435

Air Blow Gun  
Air inlet : 1/4"

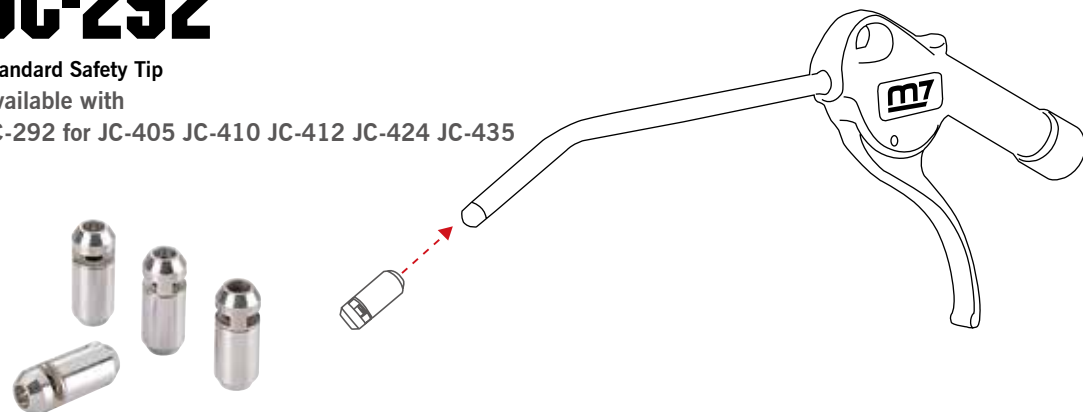


- JC-304 / JC-405 **60** pieces in one carton
- JC-310 / JC-410 **50** pieces in one carton
- JC-313 / JC-412 **50** pieces in one carton
- JC-320 / JC-424 **50** pieces in one carton
- JC-340 / JC-435 **60** pieces in one carton



## JC-292

Standard Safety Tip  
Available with  
JC-292 for JC-405 JC-410 JC-412 JC-424 JC-435



PNEUMATIC TOOLS  
GLOBAL EXPANSION

## JC-640 / JC-641 / JC-680 New

Super Air Blow Gun **30** pieces in one carton  
Air inlet : 1/4"  
JC-640/JC-641 40"  
JC-680 80"



## JC-0424 [SET]

Air Blow Gun  
Air inlet : 1/4"  
**Contenes**  
JC-405 8PCS  
JC-410 8PCS  
JC-412 8PCS

4 set in one carton



## JC-0415 [SET]

Air Blow Gun  
Air inlet : 1/4"  
**Contenes**  
JC-405 15PCS

4 set in one carton



	Nozzle Length inch	Working Pressure PSI (bar)	Max Pressure PSI (bar)	Avg. Air Consumption CFM(L/min)	Avg. Air Consumption CFM(L/min)	Net Weight LBS kg	Air Hose Inch	Sound Pressure dBA
JC-304	4"	75-120(5.3-8.5)	150(10.6)	13.0(368)	15.0(425)	0.15 0.07	3/8"	90.0
JC-310	10"	75-120(5.3-8.5)	150(10.6)	13.0(368)	15.0(425)	0.22 0.10	3/8"	90.0
JC-313	13"	75-120(5.3-8.5)	150(10.6)	13.0(368)	15.0(425)	0.24 0.11	3/8"	90.0
JC-320	20"	75-120(5.3-8.5)	150(10.6)	13.0(368)	15.0(425)	0.31 0.14	3/8"	90.0
JC-340	40"	75-120(5.3-8.5)	150(10.6)	13.0(368)	15.0(425)	0.50 0.23	3/8"	90.0
JC-405	5"	75-120(5.3-8.5)	150(10.6)	13.0(368)	15.0(425)	0.24 0.11	3/8"	90.0
JC-410	10"	75-120(5.3-8.5)	150(10.6)	13.0(368)	15.0(425)	0.26 0.12	3/8"	90.0
JC-412	12"	75-120(5.3-8.5)	150(10.6)	13.0(368)	15.0(425)	0.28 0.13	3/8"	90.0
JC-424	24"	75-120(5.3-8.5)	150(10.6)	13.0(368)	15.0(425)	0.31 0.14	3/8"	90.0
JC-435	35"	75-120(5.3-8.5)	150(10.6)	13.0(368)	15.0(425)	0.55 0.25	3/8"	90.0
JC-640	40"	75-120(5.3-8.5)	150(10.6)	13.0(368)	15.0(425)	0.75 0.34	3/8"	90.0
JC-680	80"	75-120(5.3-8.5)	150(10.6)	13.0(368)	15.0(425)	1.41 0.64	3/8"	90.0



# AUTO REPAIR TOOL



**PNEUMATIC TOOLS**  
GLOBAL EXPANSION



## NC-0208[SET]

1/4" Drive Air Impact Wrench 8 PCS  
Twin Dog Type

Air inlet : 1/4"

10 pieces in one carton

- 1pc 1/4" Air Impact Wrench (NC-2710)
- 5pcs Socket:8.9.10.11.12mm
- 1pc 1/4" Drive Universal Joint
- 1pc 1/4" Extension Bar
- 1pc Plug



NC-2710



	Square Drive	Bolt Capacity	Torque Range	Max Torque	Free Speed	Avg. Air Consumption	Air Pressure	Overall Length	Net Weight	Air Hose	Sound Pressure	Vibration Level
	Inch	Inch (mm)	FT-LB (Nm)	FT-LB Nm	R.P.M	CFM (L/min)	PSI (bar)	Inch (mm)	LBS kg	Inch	dBA	m/s <sup>2</sup>
NC-2710	1/4"	M8	7.4-29.5 (10-40)	29 40	11000	5.3(150)	90 (6.3)	5-3/8" (163)	1.76 0.8	3/8"	91.0	3.4



## QB-802

Air surface-cleaning tool

Air inlet : 1/4"

5 pieces in one carton



## QB-0808

Air surface-cleaning tool

Air inlet : 1/4"

- Air Surface-Cleaning Tool:1pc(QB-802)
- Eraser Wheel:1pc
- Stripping Wheel :1pc
- Wire Wheel(Coarse):1pc
- Wire Wheel:1pcs
- Allen Key 6mm:1pc
- Spanner Wrench:1pc
- 1/4" Plug:1pc
- Adapter Male UNF 5/16"-24 Female M6×1.0:1pc

5 set in one carton



QB-9411

QB-9412

QB-9414

QB-9415

QB-9400



## QB-812

Air Eraser

Air inlet : 1/4"

20 pieces in one carton



Spindle 3/8"-24

	Free Speed	Avg. Air Consumption	Air Pressure	Overall Length	Motor	Net Weight	Air Hose	Sound Pressure	Vibration Level
	R.P.M	CFM (L/min)	PSI (bar)	Inch (mm)	HP	LBS kg	Inch	dBA	m/s <sup>2</sup>
QB-802	3600	10.6(300)	90(6.3)	7-7/8"(200)	0.7	2.6 1.2	3/8"	86	0.3
QB-812	4000	10.0(283)	90(6.3)	8-7/8"(225)	0.5	1.7 0.8	3/8"	75	0.87



# AUTO REPAIR TOOL



## NC-2210N [SET]

1/4" Drive Air Impact Wrench  
Twin Dog Type Air inlet : 1/4"

1 carton / 5 set

20 pieces in one carton



Contents:

- + 1 pc D.R1/4" Impact Socket 8 mm
- + 1 pc D.R1/4" Impact Socket 9 mm
- + 1 pc D.R1/4" Impact Socket 10 mm
- + 1 pc D.R1/4" Impact Socket 11 mm
- + 1 pc D.R1/4" Impact Socket 12 mm
- + 1 pc D.R1/4" Extension Bar (L:50mm)
- + 1 pc D.R1/4" Extension Bar (L:125mm)
- + 1 pc D.R1/4" Universal Joint
- + 1 pc 1/4" Plug
- + 1 pc Air Impact Wrench



	Square Drive Inch	Bolt Capacity Inch (mm)	Torque Range FT-LB (Nm)	Max Torque FT-LB Nm	Free Speed R.P.M	Avg. Air Consumption CFM (L/min)	Air Pressure PSI (bar)	Overall Length Inch (mm)	Net Weight LBS kg	Air Hose Inch	Sound Pressure dBA	Vibration Level m/s <sup>2</sup>		
NC-2210	1/4"	M5	4-45 (6-61)	50	67.8	11000	1.8(51)	90(6.3)	6-17/32"(166)	1.4	0.65	3/8"	77.0	1.8



## QA-651N [SET]

Air Die Grinder  
Air inlet : 1/4"



Contents:

- + 1 pc Air Die Grinder
- + 1 pc Collet : 3mm (or1/8")
- + 5 pcs Grinder Stones 3mm
- + 5 pcs Grinder Stones 6mm
- + 1 pc 1/4" Plug
- + 1 pc Oil Box
- + 2 pcs Spanner Wrench



1 carton / 5 set  
20 pieces in one carton

	Collet Size Inch (mm)	Free Speed R.P.M	Avg. Air Consumption CFM (L/min)	Air Pressure PSI (bar)	Overall Length Inch (mm)	Hose Length mm	Net Weight LBS(kg)	Air Hose Inch	Sound Pressure dBA	Vibration Level m/s <sup>2</sup>	Motor HP	
QA-651	1/4" (6)	18000	2.7(76)	90(6.3)	5" (127)	----	1.10	0.5	3/8"	74.0	0.3	0.3



## QP-212N [SET]



Air High Speed Sander  
Air inlet : 1/4"

1 carton / 5 set

20 pieces in one carton

Contents:

- + 1 pc Air High Speed Sander
- + 1 pc 2" Rubber PAD(1/4"-20)
- + 1 pc 2" Pad Die#80
- + 1 pc 2" Stripping Disc #80-YL(Coarse)
- + 1 pc 2" Stripping Disc #150-RD(Med)
- + 1 pc 3" Rubber PAD(1/4"-20)
- + 1 pc 3" Pad Die#80
- + 1 pc 3" Stripping Disc #80-YL(Coarse)
- + 1 pc 3" Stripping Disc #150-RD(Med)
- + 1 pc 1/4" Plug
- + 1 pc Oil Box
- + 1 pc Spanner Wrench



QP-212



## QP-213N [SET]



Air Sander  
Air inlet : 1/4"

1 carton / 5 set

20 pieces in one carton

Contents:

- + 1 pc Air Sander
- + 1 pc 2" PAD(5/16"-24)
- + 1 pc 3" PAD (5/16"-24)
- + 10 pcs 2" Sandpaper#180
- + 10 pcs 2" Sandpaper#220
- + 10 pcs 2" Sandpaper#320
- + 10 pcs 3" Sandpaper#180
- + 10 pcs 3" Sandpaper#220
- + 10 pcs 3" Sandpaper#320
- + 1 pc 1/4" Plug
- + 1 pc Oil Box
- + 2 pcs Spanner Wrench



QP-213



## QP-223N [SET]



Air mini polisher  
Air inlet : 1/4"

1 carton / 5 set

20 pieces in one carton

Contents:

- + 1 pc Air mini polisher
- + 1 pc 3" PAD
- + 1 pc 3" Sponge(Medium)
- + 1 pc 3" Sponge(Rough)
- + 1 pc 3" Woolb Bonnet
- + 1 pc 1/4" Plug
- + 1 pc Spanner Wrench



QP-223

	Pad Dia Inch (mm)	Free Speed R.P.M	Avg. Air Consumption CFM (L/min)	Air Pressure PSI (bar)	Overall Length Inch (mm)	Motor HP	Net Weight LBS(kg)	Air Hose Inch	Sound Pressure dBA	Vibration Level m/s <sup>2</sup>	Spindle Size	
QP-212	2" or 3"	18000	2.1(59)	90(6.3)	4-1/4"(107)	0.3	1.1	0.50	3/8"	73.0	0.9	1/4"-20
QP-213	3"(76)	18000	2.1(59)	90(6.3)	4-5/8"(117)	0.3	1.1	0.50	3/8"	76.0	1.2	5/16"-24
QP-223	3"(76)	5500	2.2(62)	90(6.3)	5-1/8"(130)	0.3	1.3	0.50	3/8"	74.0	0.9	5/16"-24



# AUTO REPAIR TOOL

**PNEUMATIC TOOLS**  
GLOBAL EXPANSION

★ ★ ★ **QE-323N [SET]**

**New**

**Air Reversible Drill**  
Air inlet : 1/4"

- Contents:**
- + 1 pc 3.5mm Drill Bits
  - + 1 pc 4.0mm Drill Bits
  - + 1 pc 4.5mm Drill Bits
  - + 1 pc 5.0mm Drill Bits
  - + 1 pc 5.5mm Drill Bits
  - + 1 pc Key Wrench
  - + 1 pc 1/4" Plug
  - + 1 pc Oil Box
  - + 1 pc Air Reversible Drill



1 carton / 5 set  
20 pieces in one carton



	Chuck Size	Free Speed	Motor	Avg. Air Consumption	Air Pressure	Overall Length	Net Weight	Air Hose	Sound Pressure	Vibration Level
	inch/mm	R.P.M	hp	CFM (L/min)	PSI (bar)	Inch (mm)	LBS kg	Inch	dBA	m/s <sup>2</sup>
QE-323	1/4" (6.35)	1600	0.38	1.9(113)	90(6.3)	6-15/32"(164)	2.5 0.78	3/8"	74.0	1.2

★ ★ ★ **RA-505N [SET]**

**New**

**Air Screwdriver** Twin Dog Type  
Screw Capacity : M5  
Air inlet : 1/4"

- Contents:**
- + 1 pcs Air Screwdriver
  - + 2 pcs Bits FD(L:50mm)
  - + 2 pcs Bits PH2(L:65mm)
  - + 1 pcs Bits PH2(L:100mm)
  - + 1 pc 1/4" Plug
  - + 1 pc Oil Box



1 carton / 5 set  
20 pieces in one carton



	Chuck Size	Torque Range	Free Speed	Avg. Air Consumption	Air Pressure	Overall Length	Net Weight	Air Hose	Sound Pressure	Vibration Level
	inch(mm)	FT-LB(Nm)	R.P.M	CFM (L/min)	PSI (bar)	Inch (mm)	LBS kg	Inch	dBA	m/s <sup>2</sup>
RA-505	1/4"(6.35)	5-45 (6~61)	11000	1.8 (51)	90(6.3)	6-5/16"(161)	1.54 0.7	3/8"	74.0	3.3

**SB-201**

**Digital Tyre Inflator**  
Air inlet : 1/4"  
20 pieces in one carton



**SB-304**

**Digital Tyre Inflator**  
Air inlet : 1/4"  
20 pieces in one carton



**SB-422**

**Tyre Inflator**  
Air inlet : 1/4"  
20 pieces in one carton



**SB-215**

**Tyre Inflator**  
Air inlet : 1/4"  
12 pieces in one carton



**SB-423**

**Tyre Inflator**  
Air inlet : 1/4"  
12 pieces in one carton



**SB-501**

**Tyre Inflator**  
Air inlet : 1/4"  
12 pieces in one carton



	Max Pressure	Air Consumption at 100PSI	Air Inlet	Air Pressure	Net Weight	Air Hose	Nozzle Length	Nozzle
	PSI (bar)	CFM	inch	PSI (bar)	LBS kg	Inch	cm	
SB-201	160(11.0)	1.41	1/4"	90(6.3)	0.70 0.32	3/8"	30	Tyre valve clip
SB-215	160(11.0)	1.41	1/4"	90(6.3)	0.88 0.40	3/8"	150	Tyre valve clip
SB-304	160(11.0)	1.41	1/4"	90(6.3)	1.41 0.65	3/8"	30	Dual chuck
SB-422	160(11.0)	1.41	1/4"	90(6.3)	1.21 0.55	3/8"	45	Tyre valve clip
SB-423	220(15.0)	1.41	1/4"	90(6.3)	2.92 1.33	3/8"	100	Tyre valve clip
SB-501	160(11.0)	1.41	1/4"	90(6.3)	2.92 1.33	3/8"	30	Dual chuck



# AUTO REPAIR TOOL

## QT-102

Air Tyre Buffer  
Air inlet : 1/4"

10 pieces in one carton



## QT-203 QT-113

Air Tyre Buffer / Quick Change Chuck  
Air inlet : 1/4"

10 pieces in one carton



Chuck Size Inch(mm)	Collet Size Inch(mm)	Free Speed R.P.M	Avg. Air Consumption CFM (L/min)	Air Pressure PSI (bar)	Overall Length Inch (mm)	Motor hp	Net Weight LBS(kg)	Air Hose Inch	Sound Pressure dBA	Vibration Level m/s <sup>2</sup>
---	1/4" (6)	7500	3.0 (85)	90(6.3)	5-1/2"(140)	0.3	0.9 0.41	3/8"	77.0	1.3
Hex.7/16"(11.1)	---	4000	10.6 (300)	90(6.3)	9-3/4"(250)	0.5	1.76 0.80	3/8"	75.0	0.87
Hex.7/16"(11.1)	---	2500	10.6 (300)	90(6.3)	9-3/4"(250)	0.5	1.76 0.80	3/8"	75.0	0.87

## QB-0618[SET] New

90° Mini Sander Polisher 18 pcs SET  
Air inlet : 1/4"

**CONTENTS:**

- QB-625 (1pcs)
- Disc 2"PAD (1pcs)
- Disc 3"PAD (1pcs)
- Removal Sandering 2" #80-YL (1pcs)
- 2" #150-RD (2pcs)
- 2" #300-BL (2pcs)
- 2" Stripping Disc
- 3" #80-YL (1pcs)
- 3" #150-RD (2pcs)
- 3" #300-BL (2pcs)
- 3" Stripping Dis
- Adaptor
- Spanner
- Oil



Pad Dia / Arbor Size Inch	Free Speed R.P.M	Avg. Air Consumption CFM	Air Pressure PSI (bar)	Overall Length Inch (mm)	Motor HP	Net Weight LBS(kg)	Air Hose Inch	Sound Pressure dBA	Vibration Level m/s <sup>2</sup>
2" / 3"	15000	17.2	90(6.3)	7-1/8"(180)	0.6	0.61 1.3	3/8"	75	2.5

## QM-1125

Pneumatic CV Joint Boots Fitting Tool

4 pieces in one carton



Capacity Inch (mm)	Max Air Pressure PSI (bar)	Air Pressure PSI (bar)	Overall Length Inch (mm)	Net Weight LBS(kg)	Air Hose Inch
1"-4-3/8"(25-110)	125(8.6)	90(6.3)	17-3/8"(442)	7.15 3.25	3/8"

## SQ-0217

Air Powered Brake Caliper Wind Back Tool-Set 17pcs

- Air Powered Brake Caliper Wind Back Tool : 1pc
- Disk : 16pcs

NOT AVAILABLE IN NORTH AMERICA



## SR-1101

Air Brush

10 pieces in one carton

- Air Brush
- Cup
- Mix Bottle
- Air Hose
- Pipette
- Air Adaptor
- Spanner
- Glass Bottle



Nozzle Bore mm	Color Cup Capacity c.c	Spray Control
0.2	7.0	by Needle Adjustor

## SX-2101

Twister Gun

10 pieces in one carton

NOT AVAILABLE IN NORTH AMERICA



Cup Capacity L	Free Speed R.P.M	Avg. Air Consumption CFM (L/min)	Air Pressure PSI (bar)	Overall Length Inch (mm)	Net Weight LBS(kg)	Air Hose Inch	Sound Pressure dBA
1.0	5500	2.0 (56.6)	90(6.3)	8-7/32*4-5/16* 210*110mm	1.71 0.78	3/8"	85.0



# AUTO REPAIR TOOL

## SC-005

Ball Joint & Tie-Rod Splitter SET

**CONTENTS**

- AIR HAMMER ADAPTER
- 1-1/8"(28.57mm) PITMAN ARM
- STRIKING HANDLE
- 11/16"(17.46mm) TIE ROD
- 15/16"(23.81mm) BALL JOINT

10 pieces in one carton



## SM-0901

Manual & Pneumatic Fluid Extractor

2 pieces in one carton



## SM-0902

Pneumatic Fluid Extractor

2 pieces in one carton



## SM-0903

Manual Fluid Extractor

2 pieces in one carton



## SM-0502

Pneumatic Brake Extractor & Refilled KIT

4 pieces in one carton



	Air Pressure PSI	Net Weight		Capacity L
		LB	KG	
SM-0901	70-170	10.3	4.7	9.0
SM-0902	70-170	10.3	4.7	9.0
SM-0903	70-170	8.80	4.0	9.0
SM-0502	70-170	5.50	2.5	2.0

## SK-1010

Air Caulking Gun

10 pieces in one carton



## SK-1131 New

Air Caulking Gun

10 pieces in one carton



	Avg. Air Consumption CFM (L/min)	Air Pressure PSI (bar)	Overall Length Inch (mm)	Net Weight		Air Hose
				LBS	kg	Inch
SK-1010	4.0(113)	50~70(3.4~4.8)	12" (305)	2.43	1.1	3/8"
SK-1131	4.0(113)	60~90(4.1~6.2)	24-7/16" (620)	2.66	1.21	3/8"

## SE-1101

LED Work Lamp  
USB Charging available

10 pieces in one carton



	LED Quantity w	Li-LON Rechargeable Battery V(mAH)	Charger Input AC(DC)	Power Output V(mAH)	Charger Time Hours	Active Time Hours
	SE-1025	5	3.6(2200)	100~240(12-24)	5.0(1000)	3.5~4
SE-1101	5	4.2(2600)	3.6~4.2	---	6~7	3~10

## SE-1025

Flexible LED Light

10 pieces in one carton

- + RECHARGEABLE WORKING LIGHT\*1PC
- + AC 100~240V ADAPTOR\*1PC
- + High strength magnet



## SH-1001

Air Tool Holder

10 pieces in one carton



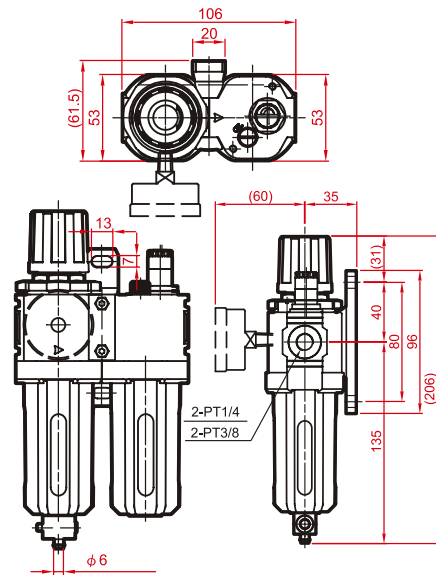
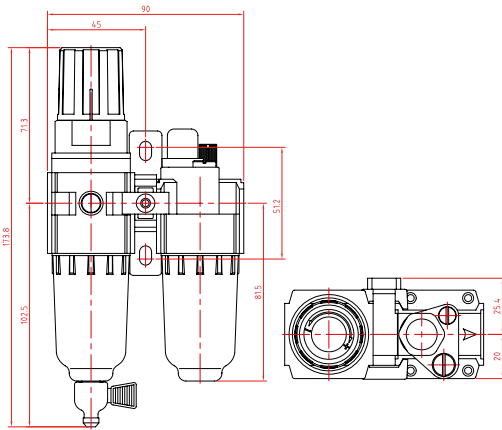
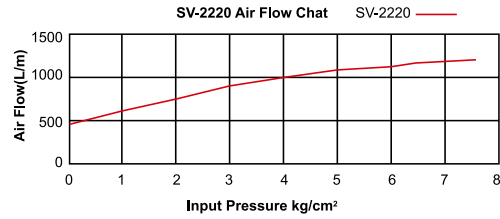
	Maximum Load LB(Kg)	Overall Length Inch(mm)
	SH-1001	26.4(12.0)



# FILTER, REGULATOR, LUBRICATOR

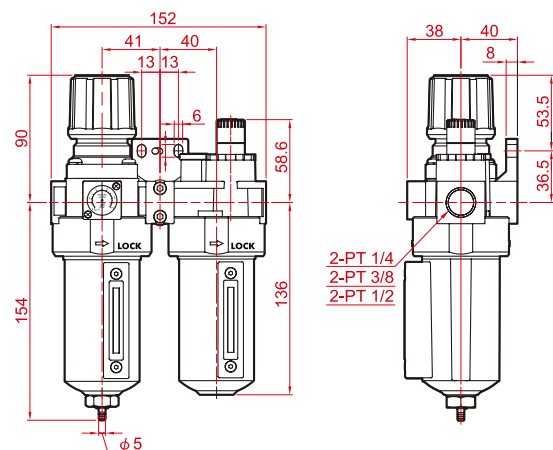
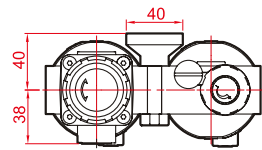
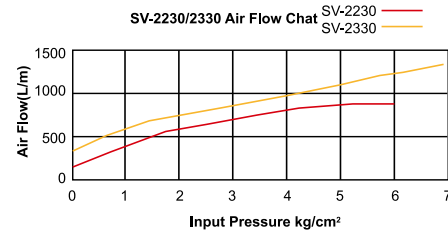
## SV-2220

FILTER,REGULATOR,LUBRICATOR  
Air inlet : 1/4"



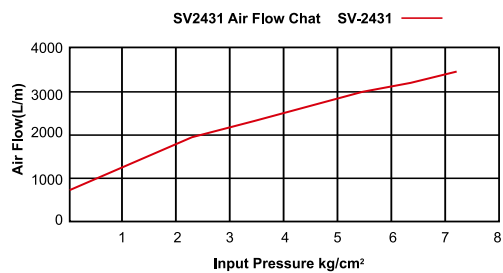
## SV-2230 / 2330

FILTER,REGULATOR,LUBRICATOR  
Air inlet : 1/4" / 3/8"



## SV-2431

FILTER,REGULATOR,LUBRICATOR  
Air inlet : 1/2"

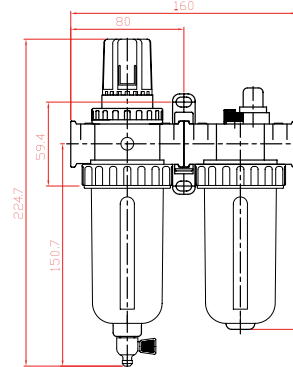
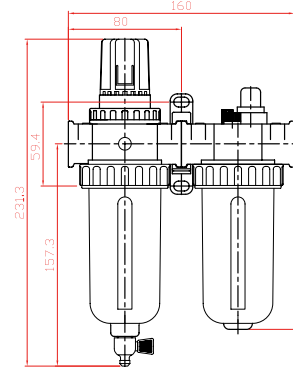
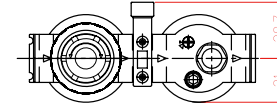
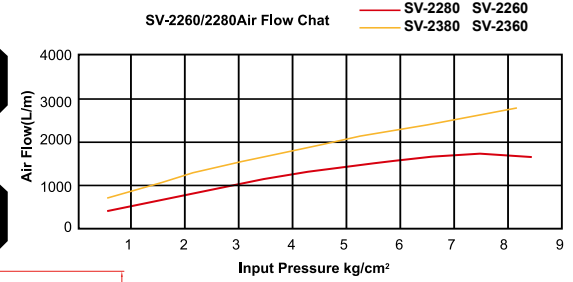


## SV-2260 / 2280

FILTER,REGULATOR,LUBRICATOR  
Air inlet : 1/4"

## SV-2360 / 2380

FILTER,REGULATOR,LUBRICATOR  
Air inlet : 3/8"

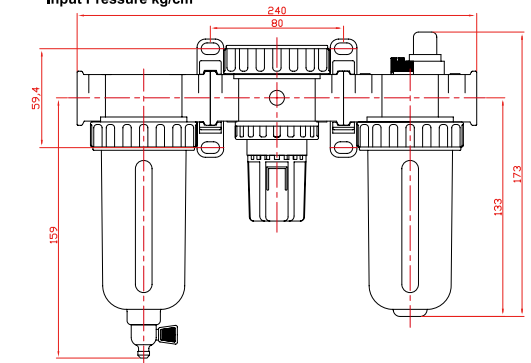
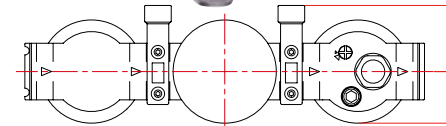
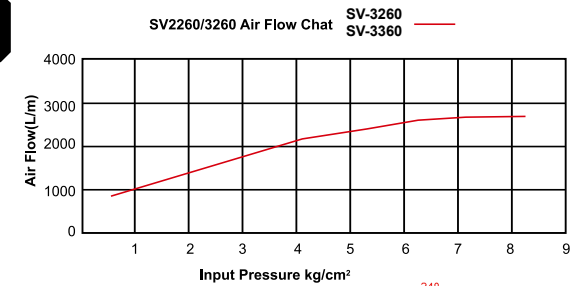


SV-2260/SV-2360

SV-2280/SV-2380

## SV-3260 / 3360

FILTER,REGULATOR,LUBRICATOR  
Air inlet : 3/8"



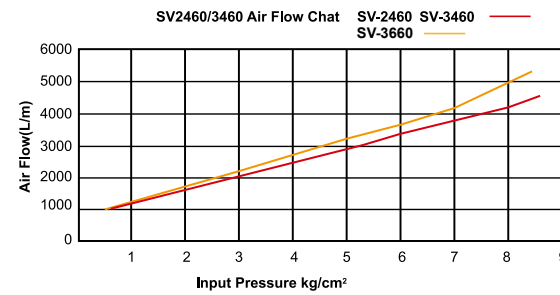
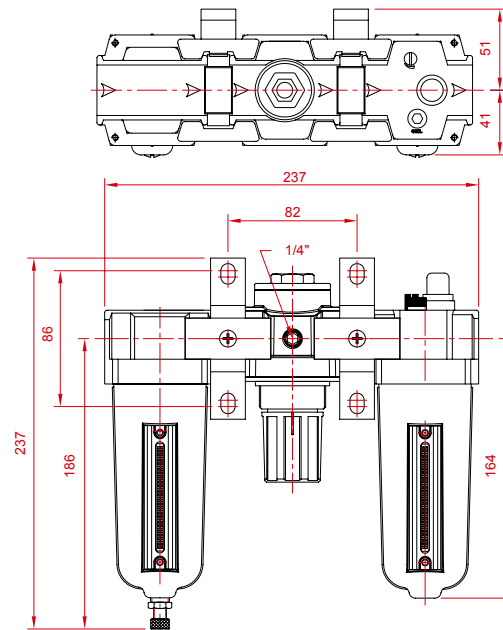
	Air in / outlet	Max Input Pressure	Max Output Pressure	Max. Flow	Working Temperature	Drain Capacity	Oil Capacity	Filter Element
	inch	PSI	PSI	L/min	°C	ml	ml	μ (micro)
SV-2230	1/4"	215	70-140	1100	5-60°	15	50	5μ
SV-2330	3/8"	215	70-140	1100	5-60°	15	60	5μ
SV-2431	1/2"	285	70-140	1100	5-60°	15	80	40μ
SV-2220	1/4"	150	70-140	1100	5-60°	15	30	5μ
SV-2260/2360	1/4" / 3/8"	215	70-150	1750 / 2500	5-60°	80	150	5μ
SV-2280/2380	1/4" / 3/8"	250	70-140	1750 / 2500	5-60°	80	150	5μ
SV-3260/3360	1/4" / 3/8"	215	70-150	1750 / 2500	5-60°	80	150	5μ



# FILTER, REGULATOR, LUBRICATOR

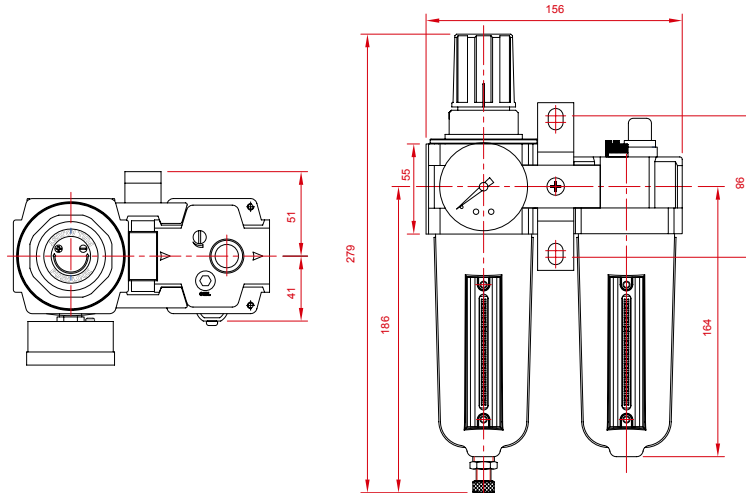
## SV-3460

FILTER,REGULATOR,LUBRICATOR  
Air inlet : 1/2"



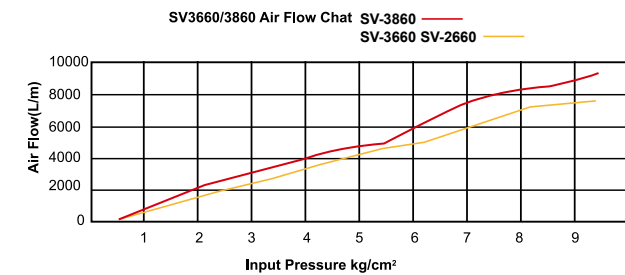
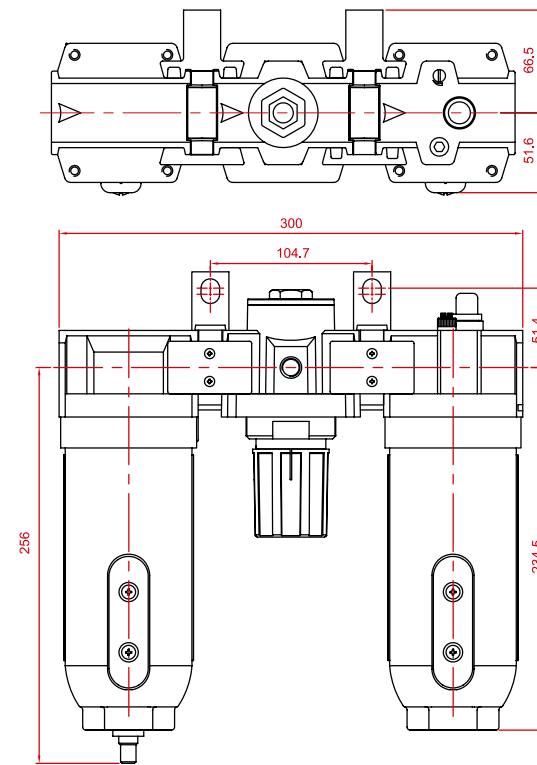
## SV-2460

FILTER,REGULATOR,LUBRICATOR  
Air inlet : 1/2"



## SV-3660 / 3860

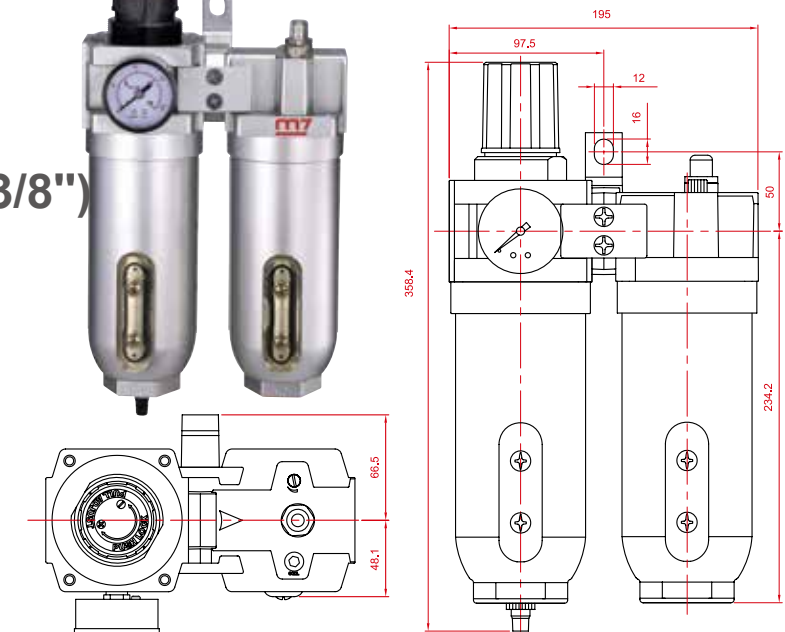
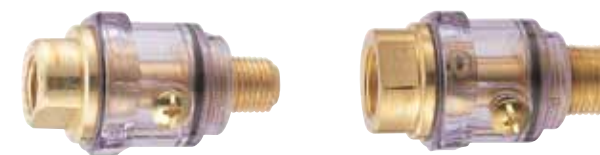
FILTER,REGULATOR,LUBRICATOR  
Air inlet : 3/4" / 1"



## SW-12 (1/4") / SW-13 (3/8")

Mini Lubricator

- Install in the air hose to provide automatic lubrication.
- 8c.c. Lubricating oil capacity.



	Air in / outlet inch	Max Input Pressure PSI	Max Output Pressure PSI	Max. Flow L/min	Working Temperature °C	Drain Capacity ml	Oil Capacity ml	Filter Element μ (micro)
SV-2460	1/2"	250	7-215	4000	5-60°	80	150	5μ
SV-3460	1/2"	250	7-215	4000	5-60°	80	150	5μ
SV-2660/2860	3/4" / 1"	250	225	4600 / 5200	5-60°	300	300	5μ
SV-3660/3860	3/4" / 1"	250	225	4600 / 5200	5-60°	300	350	5μ



# AIR HOSE REEL

## SA-2015

### Automatic Hose Reel

- "Commercial grade auto-rewind air hose reels have features like steel construction, heavy-duty hoses, Durable spring-powered recoil and 16 teeth gear to ensure repeated use and reliability."

Case Material : Steel



## SA-3215

## SA-3315 New

### Air Hose Reel

Case Material : Shock-proof plastic



## SA-4320 New

### Air Hose Reel

Case Material : Steel



## SA-4420 New

### Air Hose Reel

Case Material : Steel



## SD-23 / SD-24

### Polyurethane Recoil Air-Hose

- Returns automatically to the original position and keeps it out of operator's way during operation.
- Spring guards protects both ends of the hose. Both ends have male 360° swivel fittings.
- Temperature resistance from -20° C ~ +70° C.



## SD-22

### 8 X 12 Air Hose

- 24 braids covered PU tube brings the anti-explosion capability up to 350 psi.
- Spring guards protects both ends of the hose. Both ends have male 360° swivel fittings.
- Temperature resistance from -20° C ~ +70° C.



	Hose Inside Diameter mm	Hose outside Diameter mm	Hose Length M	Working Pressure PSI(bar)	Maximum Pressure PSI(bar)	Male PT Fitting inch	Weight kg
SA-2015	8.0	12.0	15	101.5 (7.0)	284.4(17.8)	1/4"	6.2
SA-3215	8.0	12.0	15	90 (6.3)	300(20.7)	1/4"	5.0
SA-3315	10.0	15.0	15	90 (6.3)	300(20.7)	1/4"	6.0
SA-4320	10.0	18.0	20	90 (6.3)	300(20.7)	3/8"	24.0
SA-4420	13.0	23.0	20	90 (6.3)	300(20.7)	1/2"	29.0
SD-22107	8.0	12.0	7.5	101.5 (7.0)	284.4(17.8)	1/4"	0.8
SD-22115	8.0	12.0	15	101.5 (7.0)	284.4(17.8)	1/4"	1.4
SD-22130	8.0	12.0	30	101.5 (7.0)	284.4(17.8)	1/4"	2.6
SD-23110	8.0	12.0	10	101.5 (7.0)	284.4(17.8)	1/4"	0.8
SD-23115	8.0	12.0	15	101.5 (7.0)	284.4(17.8)	1/4"	1.2
SD-23210	5.0	8.0	10	101.5 (7.0)	284.4(17.8)	1/4"	0.4
SD-23215	5.0	8.0	15	101.5 (7.0)	284.4(17.8)	1/4"	0.6
SD-23315	10	15.0	15	101.5 (7.0)	284.4(17.8)	3/8"	1.9
SD-24415	13	18.0	15	101.5 (7.0)	284.4(17.8)	1/2"	2.1



# MOBILE CABINETS

## ST-10C521 ST-10C522

user DIY assembled mobile working chair

- Color: red/black anti scratch paint
- Seat cushion materials: high graded artificial PVC leather with sponge
- Product sizes: long 350mm width 260mm height 240mm, excl. wheels Drawer height: 70mm
- Product feature: storage daily needed tools reduce squatting fatigue, movable willingly

## NC-4230NE

Impact Wrench Combination Tray Kit

- NC-4230 :1/2" Drive Air Impact Wrench Twin Hammer
- NE-432 :1/2" Push Air Ratchet Wrench
- 1/4" Air Adaptor Couplings Male Thread Type
- Mini socket set, size:13,17,19,22,24mm

## QP-123QP

3" QP-113 &QP-123 COMBINATION KIT

- Air Pistol Sander, 3" Pad Dia
- QP-113 :Air Pistol Sander, 3" Pad Dia
- QP-123 :Air Pistol Polisher, 3" Pad Dia
- 1/4" Air Adaptor Couplings Male Thread Type
- 3" Sponge (Rough) & 3" Sponge (Medium)



## ST-11B7 New

Cabinet With Air Hose Reel

	LENGTH (MM)	WIDTH (MM)	HEIGHT (MM)	QTY
CABINET	680	460	830	
DRAWER	580	406	70	
	580	406	145	



# CORDLESS TOOLS

## DW-18502[KIT] New

**Cordless Impact Wrench**  
**CONTENTS**

- 2pcs 20V 5.0 Ah Lithium-ion
- 1pc Lithium-ion Battery Charger
- + Max. torque 1220 NM / 900 FT-LB
- + Quick charge-up in 50 minutes
- + 5.0 Ah battery x 2 pcs included for a longer period of usage.
- + LED lamp to light up the working area
- + Battery level LED indicator
- + Braking function not to damage the screwed object.f



DW-1850



**CORDLESS TOOLS**  
GLOBAL EXPANSION

## DS-10152

**Cordless Impact Driver**  
**CONTENTS**

- 2pcs 12V 1.5Ah Li-ion battery
- 1pc 30min charger
- + Max. torque 100 NM + Quick charge-up in 30 minutes
- + Battery x 2pcs included for a longer period of usage
- + LED lamp to light up the working area
- + Battery applicable to all m7 12V cordless models.



## DS-10202 New

**Cordless Impact Driver**  
**CONTENTS**

- 2pcs 12V 2.0Ah Li-ion battery
- 1pc 30min charger
- + Max. torque 100 NM + Quick charge-up in 30 minutes
- + Battery x 2pcs included for a longer period of usage
- + LED lamp to light up the working area
- + Battery applicable to all m7 12V cordless models.



Complete tool solution  
www.mighty-seven.com



	Chuck size	Max. drill capacity	Bolt capacity	Battery	Max. torque	No load speed	Impact rate	Torque setting	Weight
	inch / mm	mm(steel / wood)	---	Li-ion Ah	Nm	rpm	bpm	-----	kg
DW18502	1/2" / 12.7	---	M6 ~ M24	5.0	1220	0~1900	0~2200	-----	3.2
DS10152	1/4" / 6.00	---	M4 ~ M12	1.5	100	0~2200	0~3000	-----	1.0
DS10202	1/4" / 6.00	---	M4 ~ M12	2.0	100	0~2200	0~3000	-----	1.0



# TORQUE WRENCH

CATERHAM RACING TAIWAN

**TORQUE WRENCH**  
GLOBAL EXPANSION

## TE-401211N

1/2" Torque Wrench, 10-210Nm, Engrave Nm / ft-lb scale  
DIN ISO-6789 AMSE B107.14-2004

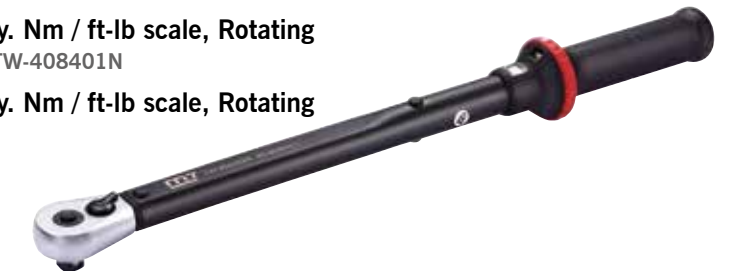


## ADJUSTABLE TORQUE WRENCH ROTATING RING TYPE

1/2" TORQUE WRENCH, Window display. Nm / ft-lb scale, Rotating  
TW-402101N / TW-404201N / TW-406301N / TW-408401N

3/4" TORQUE WRENCH, Window display. Nm / ft-lb scale, Rotating  
TW-611551N / TW-615751N

DIN ISO-6789 AMSE B107.14-2004



## ADJUSTABLE TORQUE WRENCH BACK TUNING TYPE

1/2" TORQUE WRENCH, Window display. Nm / ft-lb scale, Back Tuning  
TW-402102N / TW-404202N / TW-406302N / TW-408402N

3/4" TORQUE WRENCH, Window display. Nm / ft-lb scale, Back Tuning  
TW-611552N / TW-615752N

DIN ISO-6789 AMSE B107.14-2004



	Drive	Torque Range (Nm)	Torque Range (ft-lb)	Indicator	Torque Adjusting	D (mm)	H (mm)	L (mm)	Weight (kg)
TW-402101N	1/2"	20-100	15-75	Magnifying glass	Rotating	40.5	40	405	1.02
TW-404201N	1/2"	40-200	30-150	Magnifying glass	Rotating	40.5	40	500	1.20
TW-406301N	1/2"	60-300	45-200	Magnifying glass	Rotating	40.5	40	595	1.33
TW-408401N	1/2"	80-400	60-300	Magnifying glass	Rotating	40.5	40	680	1.82
TW-402102N	1/2"	20-100	15-75	Magnifying glass	Back Tuning	40.5	40	405	1.02
TW-404202N	1/2"	40-200	30-150	Magnifying glass	Back Tuning	40.5	40	500	1.20
TW-406302N	1/2"	60-300	45-200	Magnifying glass	Back Tuning	40.5	40	595	1.33
TW-408402N	1/2"	80-400	60-300	Magnifying glass	Back Tuning	40.5	40	680	1.82
TW-611551N	3/4"	110-550	75-405	Magnifying glass	Rotating	63.0	58	970	3.70
TW-615751N	3/4"	150-750	112.5-555	Magnifying glass	Rotating	63.0	58	1150	5.60
TW-611552N	3/4"	110-550	75-405	Magnifying glass	Back Tuning	63.0	58	970	3.70
TW-615752N	3/4"	150-750	112.5-555	Magnifying glass	Back Tuning	63.0	58	1150	5.60
TE-401211N	1/2"	42-210	30.6-155	Engrave	Rotating	46.3	33	462	1.37





# IMPACT SOCKET

All m7 sockets are made by high steel grade CrMo, and laser etched showing the model no. & size.



## MA4030

3 PCS 1/2" DR. Deep Impact Socket Set

- Contents : 17mm, 19mm, 21mm By identifying the different color coated, the operator can easily pick up the size needed.
- With the external sheath, the working object can be well protected from being rubbed, scratched, impacted...etc.
- With the 85mm extra long socket, to loosen or tighten bolt or nut in deeper hole become easier and convenient.

Note: Impact socket for aluminum rim wheel nuts, with polymeric material insets.

24 pieces in one carton

## MB34012S

12PC 3/8" Drive Impact Socket Set

Contents : 5/16", 3/8", 7/16", 1/2", 9/16", 5/8", 11/16", 3/4", 13/16", 7/8", 15/16", 1"



12 pieces in one carton

## MB34013M

13PC 3/8" Drive Impact Socket Set

Contents : 6mm, 8mm, 9mm, 10mm, 11mm, 12mm, 13mm, 14mm, 15mm, 16mm, 17mm, 18mm, 19mm



12 pieces in one carton

## MB35012S

12PC 3/8" Drive Deep Impact Socket Set

Contents : 5/16", 3/8", 7/16", 1/2", 9/16", 5/8", 11/16", 3/4", 13/16", 7/8", 15/16", 1"



8 pieces in one carton

## MB35013M

13PC 3/8" Drive Deep Impact Socket Set

Contents : 6mm, 8mm, 9mm, 10mm, 11mm, 12mm, 13mm, 14mm, 15mm, 16mm, 17mm, 18mm, 19mm



8 pieces in one carton

## MB44013S

13PC 1/2" Drive Impact Socket Set

Contents : 7/16", 1/2", 9/16", 5/8", 11/16", 3/4", 13/16", 7/8", 15/16", 1", 1-1/16", 1-1/8", 1-1/4"



6 pieces in one carton

## MB44014M

14PC 1/2" Drive Impact Socket Set

Contents : 10mm, 11mm, 12mm, 13mm, 14mm, 15mm, 16mm, 17mm, 18mm, 19mm, 21mm, 22mm, 26mm, 27mm



8 pieces in one carton

## MB45010M

10PC 1/2" Drive Deep Impact Socket Set

Contents : 10mm, 12mm, 13mm, 14mm, 15mm, 17mm, 19mm, 21mm, 24mm, 27mm



6 pieces in one carton

## MB45013S

13PC 1/2" Drive Deep Impact Socket Set

Contents : 7/16", 1/2", 9/16", 5/8", 11/16", 3/4", 13/16", 7/8", 15/16", 1", 1-1/16", 1-1/8", 1-1/4"



4 pieces in one carton

## MB45014M

14PC 1/2" Drive Deep Impact Socket Set

Contents : 10mm, 11mm, 12mm, 13mm, 14mm, 15mm, 16mm, 17mm, 18mm, 19mm, 21mm, 22mm, 26mm, 27mm



4 pieces in one carton

## MB64008M

14PC 3/4" Drive Impact Socket Set

Contents : 26mm, 27mm, 29mm, 30mm, 32mm, 33mm, 35mm, 36mm



4 pieces in one carton

## MB64008S

8PC 3/4" Drive Impact Socket Set

Contents : 1", 1-5/16", 1-1/16", 1-3/8", 1-1/8", 1-7/16", 1-1/4", 1-1/2"



4 pieces in one carton

## MB65008S

8PC 3/4" Drive Deep Impact Socket Set

Contents : 1", 1-1/16", 1-1/8", 1-1/4", 1-5/16", 1-3/8", 1-7/16", 1-1/2"



2 pieces in one carton

## MB65008S1

8PC 3/4" Drive Deep Impact Socket Set

Contents : 3/4", 7/8", 15/16", 1", 1-1/16", 1-1/18", 1-3/16", 1-1/4"



2 pieces in one carton



### MB65008M

8PC 3/4" Drive Deep Impact Socket Set  
 Contents :26mm,27mm,29mm,30mm,32mm,33mm  
 35mm,36mm



4 pieces in one carton

### MA8050

5 pcs 1" Dr. Combination Budd Wheel Impact Socket SET



4 pieces in one carton

### ME4050

5PC 1/2" Drive Torque Extension Bar Set  
 Contents : ME422-090 ME422-110 ME422-122  
 ME422-137 ME422-151



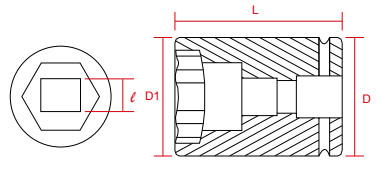
10 pieces in one carton

### MB44008S

8pcs 1/2" Drive SAE Impact Hex Driver SET(Length 78mm)  
 Contents :1/4", 5/16", 3/8", 7/16", 1/2", 9/16", 5/8", 3/4"



12 pieces in one carton



M7 NO.	Drive	D1	D2	l	L	Weight	Carton
	inch	mm	mm	mm	mm	g	
MA812S4826	1-1/2"	57	57	13/16"	99	1.34	1/1
MA812M3517	3/8"	52	54	17	94	1.10	1/1
MA812M3820	3/8"	54	56	20	96	1.18	1/1
MA812M4121	41	54	58	21	99	1.19	1/1
MA831M33L	33	52	52		90	1.01	1/1
MA8050	---	---	---	---	6.20		1/4

### MB44008M

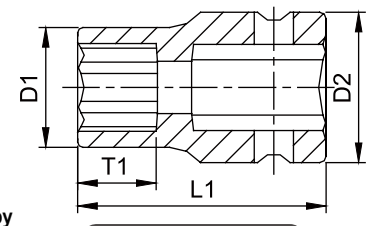
1/2" Drive 1/2" Drive SAE Impact Hex Driver SET  
 Contents :H6, H7, H8, H10, H12 ,H14 ,H17, H19



12 pieces in one carton

### MA42015

15pcs 1/2" Driver Stubby Metric Size impact Socket SET  
 12 pieces in one carton



M7 NO.	Drive	D1	D2	T	L	Weight	Carton
	mm	mm	mm	mm	mm	g	
MA401M10	10	18	25	5	28	50	15/10
MA401M11	11	18	25	5	28	50	15/10
MA401M12	12	19	25	5	28	50	15/10
MA401M13	13	20	25	5	28	52	15/10
MA401M14	14	22	25	5	28	53	15/10
MA401M15	15	23	25	5	28	55	15/10
MA401M16	16	25	25	8	28	62	15/10
MA401M17	17	26	26	8	28	67	15/10

M7 NO.	Drive	D1	D2	T	L	Weight	Carton
	mm	mm	mm	mm	mm	g	
MA401M18	18	28	28	8	28	82	15/10
MA401M19	19	28	28	9	28	75	15/10
MA401M20	20	30	30	9	28	90	15/10
MA401M21	21	30	30	9	28	86	15/10
MA401M22	22	32	30	9	28	94	15/10
MA401M23	23	34	30	9	28	102	15/10
MA401M24	24	34	30	9	28	98	15/10

### AD-22/23/24

Magnetic aluminum rail

M7 NO.	Drive	Total Length	Weight	Carton
	inch	inch mm	g	
AD-2212	1/4"	12" 300	25	10
AD-2312	3/8"	12" 300	25	10
AD-2412	1/2"	12" 300	25	10
AD-2218	1/4"	18" 457	26	10
AD-2318	3/8"	18" 457	26	10
AD-2418	1/2"	18" 457	26	10

48 pieces in one carton



### SOCKET STICKERS PACK

M7 NO.	drive
8702	1/4"
8703	3/8"
8704	1/2"
8706	3/4"
8708	1"

100 pieces in one carton





# 1/4" MA211M

## Impact Standard Socket

- 1/4" drive standard Length
- 6 points
- Metric size



M7 NO.		D1	D2	ℓ	L		
		mm	mm	mm	mm	g	
MA211M04	4	13.0	7.5	5	23	16	10
MA211M05	5	13.0	8.7	6	23	16	10
MA211M06	6	13.0	9.9	8	23	15	10
MA211M07	7	13.0	11.1	8	23	14	10
MA211M08	8	13.0	12.3	8	23	14	10
MA211M09	9	13.0	13.8	8	23	14	10
MA211M10	10	13.0	14.5	8	23	15	10
MA211M11	11	13.0	16.0	8	23	17	10
MA211M12	12	13.0	17.0	8	23	17	10
MA211M13	13	13.0	18.8	8	23	20	10
MA211M14	14	13.0	20.0	8	23	21	10

# 1/4" MA231S

## Impact Deep Socket

- 1/4" drive Deep Length
- 6 points
- Inch size



M7 NO.		D1	D2	ℓ	L		
		inch	mm	mm	mm	mm	g
MA231S06L	3/16"	13.0	8.4	9	50	29	10
MA231S07L	7/32"	13.0	9.4	9	50	30	10
MA231S08L	1/4"	13.0	10.3	11	50	31	10
MA231S09L	9/32"	13.0	11.3	11	50	32	10
MA231S10L	5/16"	13.0	12.3	13	50	32	10
MA231S11L	11/32"	13.0	13.8	13	50	37	10
MA231S12L	3/8"	13.0	14.5	13	50	41	10
MA231S14L	7/16"	13.0	16.0	13	50	41	10
MA231S16L	1/2"	13.0	18.8	13	50	56	10
MA231S18L	9/16"	13.0	19.8	13	50	61	10

# 1/4" MA211S

## Impact Standard Socket

- 1/4" drive standard Length
- 6 points
- Inch size



M7 NO.		D1	D2	ℓ	L		
		inch	mm	mm	mm	mm	g
MA211S06	3/16"	13.0	8.4	6	23	15	10
MA211S07	7/32"	13.0	9.4	6	23	16	10
MA211S08	1/4"	13.0	10.3	8	23	15	10
MA211S09	9/32"	13.0	11.3	8	23	15	10
MA211S10	5/16"	13.0	12.3	8	23	14	10
MA211S11	11/32"	13.0	13.8	8	23	14	10
MA211S12	3/8"	13.0	14.5	8	23	15	10
MA211S14	7/16"	13.0	16.0	8	23	16	10
MA211S16	1/2"	13.0	18.8	8	23	19	10
MA211S18	9/16"	13.0	19.8	8	23	21	10

# 3/8" MA311M

## Impact Standard Socket

- 3/8" drive standard Length
- 6 points
- Metric size

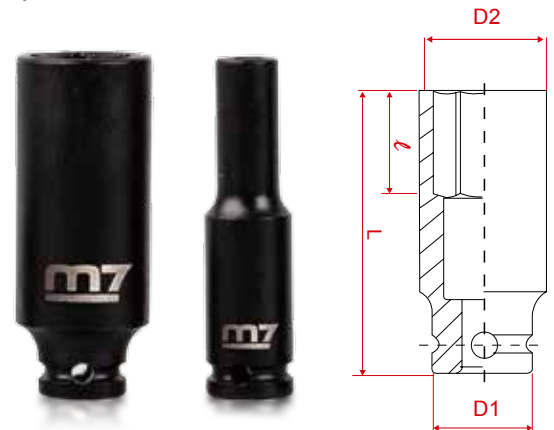


M7 NO.		D1	D2	ℓ	L		
		mm	mm	mm	mm	mm	g
MA311M06	6	19.0	10.0	9	29.5	31	10
MA311M07	7	19.0	11.4	9	29.5	31	10
MA311M08	8	19.0	12.7	9	29.5	31	10
MA311M09	9	19.0	14.0	10	29.5	33	10
MA311M10	10	19.0	15.2	10	29.5	33	10
MA311M11	11	19.0	17.0	11	29.5	34	10
MA311M12	12	19.0	18.0	11	29.5	35	10
MA311M13	13	19.0	19.0	11	29.5	36	10
MA311M14	14	19.0	20.0	11	29.5	37	10
MA311M15	15	19.0	21.9	13	29.5	42	10
MA311M16	16	22.0	23.5	13	30.0	57	10
MA311M17	17	22.0	25.0	13	30.0	59	10
MA311M18	18	22.0	26.0	13	30.0	61	10
MA311M19	19	22.0	27.0	15	30.0	63	10
MA311M20	20	22.0	28.0	15	30.0	79	10
MA311M21	21	22.0	30.0	15	30.0	79	10
MA311M22	22	22.0	32.0	15	30.0	98	10
MA311M23	23	22.0	33.0	15	30.0	98	10
MA311M24	24	22.0	34.0	15	30.0	98	10

# 1/4" MA231M

## Impact Deep Socket

- 1/4" drive Deep Length
- 6 points
- Metric size



M7 NO.		D1	D2	ℓ	L		
		mm	mm	mm	mm	mm	g
MA231M04	4	13.0	7.5	7	50	28	10
MA231M05	5	13.0	8.7	9	50	29	10
MA231M06	6	13.0	9.9	11	50	31	10
MA231M07	7	13.0	11.1	11	50	31	10
MA231M08	8	13.0	12.3	13	50	31	10
MA231M09	9	13.0	13.8	13	50	37	10
MA231M10	10	13.0	14.5	13	50	37	10
MA231M11	11	13.0	16.0	13	50	41	10
MA231M12	12	13.0	17.0	13	50	43	10
MA231M13	13	13.0	18.8	13	50	58	10
MA231M14	14	13.0	20.0	13	50	60	10

# 3/8" MA311S

## Impact Standard Socket

- 3/8" drive standard Length
- 6 points
- Inch size



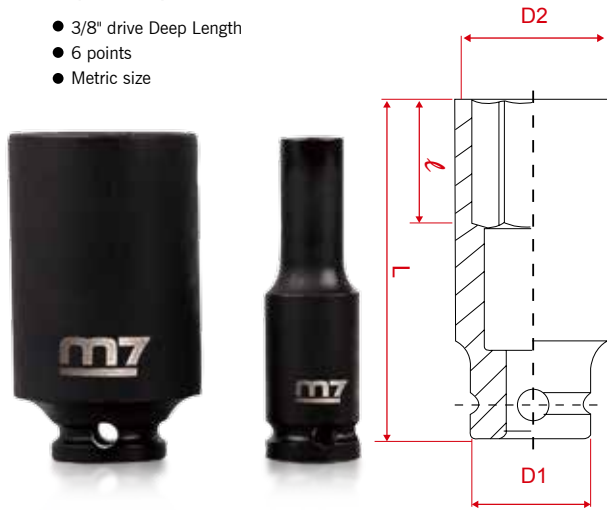
M7 NO.		D1	D2	ℓ	L		
		inch	mm	mm	mm	mm	g
MA311S10	5/16"	19.0	12.6	9.0	29.5	31	10
MA311S12	3/8"	19.0	14.6	10.0	29.5	33	10
MA311S14	7/16"	19.0	17.1	11.0	29.5	33	10
MA311S16	1/2"	19.0	19.0	11.0	29.5	37	10
MA311S18	9/16"	19.0	20.0	11.0	29.5	39	10
MA311S20	5/8"	22.0	23.5	13.0	30.0	54	10
MA311S22	1/16"	22.0	25.0	13.0	30.0	56	10
MA311S24	3/4"	22.0	27.0	15.0	30.0	63	10
MA311S26	3/16"	22.0	30.0	15.0	30.0	79	10
MA311S28	7/8"	22.0	32.0	15.0	30.0	87	10
MA311S30	15/16"	22.0	34.0	15.0	30.0	98	10
MA311S32	1"	22.0	36.0	15.0	30.0	100	10



# 3/8" MA331M

Impact Deep Socket

- 3/8" drive Deep Length
- 6 points
- Metric size

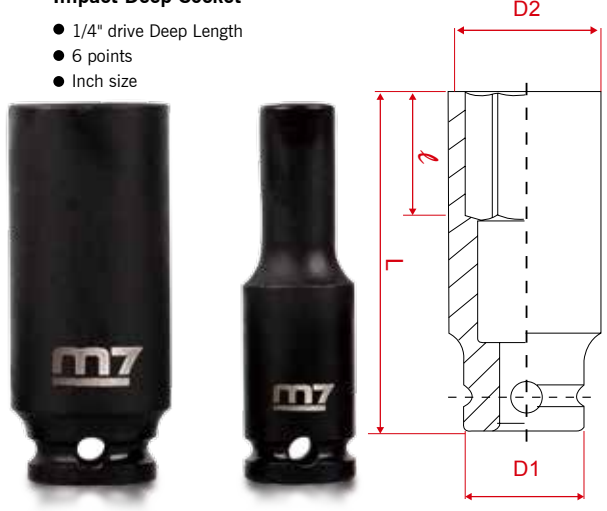


M7 NO.		D1	D2	ℓ	L		
		mm	mm	mm	mm	g	
MA331M06	6	19.0	10.1	14	63	73	10
MA331M07	7	19.0	11.4	14	63	73	10
MA331M08	8	19.0	12.7	14	63	73	10
MA331M09	9	19.0	14.0	14	63	75	10
MA331M10	10	19.0	15.2	20	63	76	10
MA331M11	11	19.0	17.0	20	63	81	10
MA331M12	12	19.0	18.0	22	63	78	10
MA331M13	13	19.0	19.0	24	63	86	10
MA331M14	14	19.0	20.0	26	63	93	10
MA331M15	15	19.0	22.2	27	63	102	10
MA331M16	16	22.0	23.5	26	63	115	10
MA331M17	17	22.0	25.0	26	63	127	10
MA331M18	18	22.0	26.0	26	63	137	10
MA331M19	19	22.0	27.0	26	63	143	10
MA331M20	20	22.0	28.0	26	63	143	10
MA331M21	21	22.0	30.0	26	63	194	10
MA331M22	22	22.0	32.0	26	63	206	10
MA331M23	23	22.0	33.0	26	63	206	10

# 3/8" MA331S

Impact Deep Socket

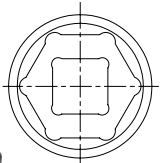
- 1/4" drive Deep Length
- 6 points
- Inch size



M7 NO.		D1	D2	ℓ	L		
		inch	mm	mm	mm	g	
MA331S10	5/16"	19.0	12.6	14	63	73	10
MA331S12	3/8"	19.0	14.6	20	63	76	10
MA331S14	7/16"	19.0	17.1	20	63	81	10
MA331S16	1/2"	19.0	19.0	24	63	83	10
MA331S18	9/16"	19.0	20.0	26	63	87	10
MA331S20	5/8"	22.0	23.5	26	63	111	10
MA331S22	1/16"	22.0	25.0	26	63	125	10
MA331S24	3/4"	22.0	27.0	26	63	142	10
MA331S26	13/16"	22.0	30.0	26	63	178	10
MA331S28	7/8"	22.0	32.0	26	63	188	10
MA331S30	15/16"	22.0	34.0	26	63	232	10
MA331S32	1"	22.0	36.0	26	63	249	10

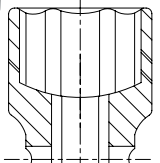
# MA42006M

1/2" Duive Stubby Metric Size impact Socket SET



# MA42006S

1/2" Duive Stubby Inch Size impact Socket SET



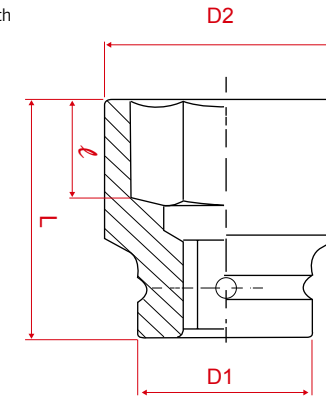
M7 NO.		D1	D2	ℓ	L		
		mm	mm	mm	mm	g	
MA401M13	13	20	25	5	28	54	6/40
MA401M17	17	26	26	8	28	70	6/40
MA401M19	19	28	28	9	28	80	6/40
MA401M21	21	30	30	9	28	90	6/40
MA401M22	22	32	30	9	28	100	6/40
MA401M24	34	34	30	9	28	110	6/40

M7 NO.		D1	D2	ℓ	L		
		mm	mm	mm	mm	g	
MA401S16	1/2"	20	25	5	28	54	6/40
MA401S18	9/16"	22	25	5	28	70	6/40
MA401S20	5/8"	25	25	8	28	80	6/40
MA401S22	11/16"	26	25	8	28	90	6/40
MA401S24	3/4"	28	30	9	28	100	6/40
MA401S28	7/8"	32	30	9	28	110	6/40

# 1/2" MA411M

Impact Standard Socket

- 1/2" drive standard Length
- 6 points
- Metric size

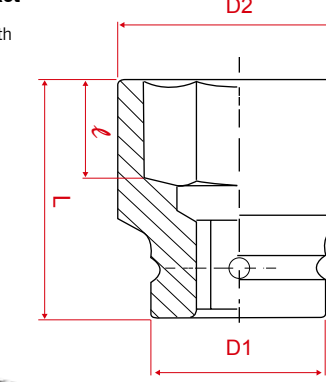


M7 NO.		D1	D2	ℓ	L		
		mm	mm	mm	mm	g	
MA411M08	8	24.9	14.5	9	38	80	10
MA411M09	9	24.9	15.6	10	38	80	10
MA411M10	10	24.9	16.7	10	38	71	10
MA411M11	11	24.9	18.0	10	38	72	10
MA411M12	12	24.9	19.0	11	38	72	10
MA411M13	13	24.9	20.2	11	38	74	10
MA411M14	14	24.9	21.5	11	38	77	10
MA411M15	15	24.9	23.0	12	38	78	10
MA411M16	16	24.9	24.9	12	38	82	10
MA411M17	17	25.0	25.9	13	38	84	10
MA411M18	18	25.0	26.9	13	38	88	10
MA411M19	19	25.0	29.9	13	38	88	10
MA411M20	20	25.0	29.9	13	38	90	10
MA411M21	21	30.0	32.0	14.5	38	93	10
MA411M22	22	30.0	32.0	4.5	38	134	10
MA411M23	23	30.0	34.0	16	42	138	10
MA411M24	24	30.0	36.0	17	42	138	10
MA411M25	25	30.0	36.0	17	42	150	10
MA411M26	26	30.0	38.0	17	42	158	10
MA411M27	27	30.0	40.0	19	46	159	10
MA411M30	30	30.0	41.9	19	46	222	10
MA411M31	31	30.0	43.9	20.5	46	244	10
MA411M32	32	30.0	43.9	20.5	46	238	10
MA411M33	33	35.0	45.9	22	46	290	10
MA411M34	34	35.0	45.9	22	46	330	10
MA411M35	35	35.0	49.9	22	50	357	10
MA411M36	36	35.0	49.9	22	50	376	10
MA411M37	37	44.0	50.9	25	50	380	10
MA411M38	38	44.0	51.9	25	50	390	10

# 1/2" MA411S

Impact Standard Socket

- 1/2" drive standard Length
- 6 points
- Inch size



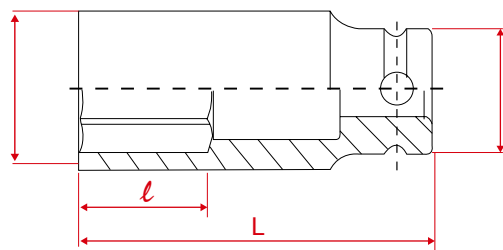
M7 NO.		D1	D2	ℓ	L		
		inch	mm	mm	mm	g	
MA411S08	1/4"	24.9	12.5	8	38	70	10
MA411S10	5/16"	24.9	14.5	8	38	70	10
MA411S12	3/8"	24.9	16.0	8	38	70	10
MA411S14	7/16"	24.9	18.0	9	38	72	10
MA411S16	1/2"	24.9	20.0	11	38	74	10
MA411S18	9/16"	24.9	22.0	11	38	76	10
MA411S20	5/8"	24.9	24.9	12	38	81	10
MA411S22	11/16"	25.0	26.0	12	38	83	10
MA411S24	3/4"	25.0	28.0	12	38	85	10
MA411S26	13/16"	25.0	30.0	13	38	94	10
MA411S28	7/8"	30.0	32.0	13	38	134	10
MA411S30	15/16"	30.0	34.0	15	38	135	10
MA411S32	1"	30.0	36.0	15	38	144	10
MA411S34	1-1/16"	30.0	38.0	17	40	203	10
MA411S36	1-1/8"	30.0	40.0	18.5	40	260	10
MA411S38	1-3/16"	30.0	42.0	18.5	40	280	10
MA411S40	1-1/4"	30.0	44.0	18.5	40	290	10
MA411S42	1-5/16"	35.0	46.0	21	43	301	10
MA411S44	1-3/8"	35.0	48.0	21	43	338	10
MA411S46	1-7/16"	44.0	50.0	21	43	357	10
MA411S48	1-1/2"	44.0	52.0	23.5	43	376	10



# 1/2" MA431S

Impact Deep Socket

- 1/2" drive Deep Length
- 6 points
- Inch size

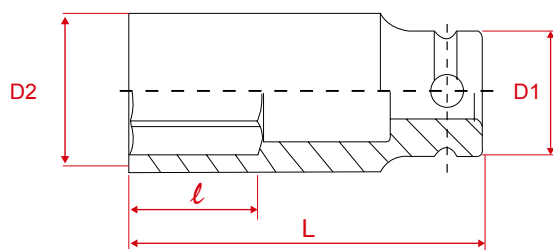


M7 NO.		D1	D2	l	L		
	inch	mm	mm	mm	mm	g	
MA431S08	1/4"	24.9	12.5	10	82	160	10
MA431S10	5/16"	24.9	14.5	13	82	160	10
MA431S12	3/8"	24.9	16.0	15	82	167	10
MA431S14	7/16"	24.9	18.0	15	82	171	10
MA431S16	1/2"	24.9	20.0	15	82	176	10
MA431S18	9/16"	24.9	22.0	17	82	181	10
MA431S20	5/8"	24.9	24.9	18	82	187	10
MA431S22	11/16"	25.0	25.9	18	82	194	10
MA431S24	3/4"	25.0	27.9	18	82	217	10
MA431S26	13/16"	25.0	29.9	26	82	227	10
MA431S28	7/8"	30.0	31.9	26	82	290	10
MA431S30	15/16"	30.0	33.9	26	82	319	10
MA431S32	1"	30.0	35.9	26	82	346	10
MA431S34	1-1/16"	30.0	37.9	26	82	450	10
MA431S36	1-1/8"	30.0	39.9	26	82	450	10
MA431S38	1-3/16"	30.0	41.9	26	82	480	10
MA431S40	1-1/4"	30.0	43.9	26	82	500	10
MA431S42	1-5/16"	35.0	45.9	34	90	565	10
MA431S44	1-3/8"	35.0	47.9	34	90	595	10
MA431S46	1-7/16"	44.0	49.9	34	90	699	10
MA431S48	1-1/2"	44.0	51.8	34	90	744	10

# 1/2" MA431M

Impact Deep Socket

- 1/2" drive Deep Length
- 6 points
- Metric size

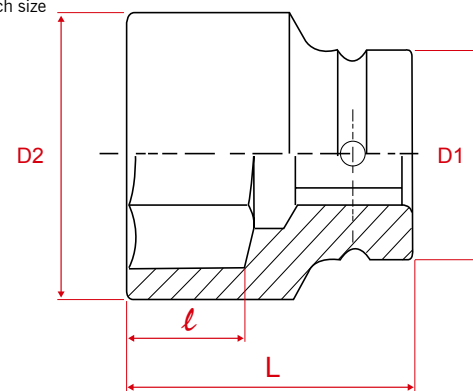


M7 NO.		D1	D2	l	L		
		mm	mm	mm	mm	g	
MA431M06	6	24.9	12.0	10	82	168	10
MA431M07	7	24.9	13.0	10	82	168	10
MA431M08	8	24.9	14.5	13	82	168	10
MA431M09	9	24.9	15.6	15	82	168	10
MA431M10	10	24.9	16.7	15	82	168	10
MA431M11	11	24.9	18.0	15	82	169	10
MA431M12	12	24.9	19.0	15	82	170	10
MA431M13	13	24.9	20.2	15	82	176	10
MA431M14	14	24.9	21.5	18	82	180	10
MA431M15	15	25.0	23.0	18	82	184	10
MA431M16	16	25.0	24.9	18	82	190	10
MA431M17	17	25.0	25.9	19	82	196	10
MA431M18	18	25.0	26.9	19	82	214	10
MA431M19	19	30.0	29.9	19	82	216	10
MA431M20	20	30.0	29.9	26	82	220	10
MA431M21	21	30.0	31.9	26	82	222	10
MA431M22	22	30.0	31.9	26	82	288	10
MA431M23	23	30.0	33.9	26	82	338	10
MA431M24	24	30.0	35.9	26	82	377	10
MA431M25	25	30.0	35.9	26	82	369	10
MA431M26	26	30.0	37.9	26	82	321	10
MA431M27	27	30.0	39.9	26	82	454	10
MA431M28	28	30.0	39.9	26	82	442	10
MA431M29	29	30.0	41.9	26	82	451	10
MA431M30	30	30.0	41.9	26	82	431	10
MA431M31	31	35.0	43.9	26	90	480	10
MA431M32	32	35.0	43.9	26	90	497	10
MA431M33	33	35.0	45.9	38	90	590	10
MA431M34	34	35.0	45.9	38	90	554	10
MA431M35	35	44.0	49.9	38	93	690	10
MA431M36	36	44.0	49.9	38	93	670	10

# 3/4" MA611S

Impact Standard Socket

- 3/4" drive standard Length
- 6 points
- Inch size



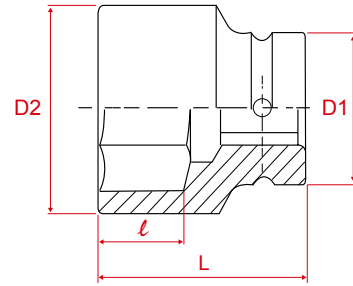
M7 NO.		D1	D2	l	L		
	inch	mm	mm	mm	mm	g	
MA611S16	1/2"	38	22	16	50	207	1
MA611S18	9/16"	38	26.5	16	50	229	1
MA611S20	5/8"	38	27.5	16	50	228	1
MA611S22	11/16"	38	29	16	50	232	1
MA611S24	3/4"	38	30	16	50	226	1
MA611S26	13/16"	38	32	18	52	238	1
MA611S28	7/8"	38	34	18	52	243	1
MA611S30	15/16"	38	36	18	52	251	1
MA611S32	1"	40	40	18	52	306	1
MA611S34	1-1/16"	40	40	18	52	290	1
MA611S36	1-1/8"	42	42	18	52	320	1
MA611S38	1-3/16"	44	44	18	52	366	1
MA611S40	1-1/4"	44	44	18	52	343	1
MA611S42	1-5/16"	44	47	22	56	403	1
MA611S44	1-3/8"	44	50	22	56	444	1
MA611S46	1-7/16"	44	51	22	56	451	1
MA611S48	1-1/2"	44	53	22	56	473	1
MA611S50	1-9/16"	44	56	25	62	571	1
MA611S52	1-5/8"	44	58	25	62	608	1
MA611S54	1-11/16"	44	63.5	25	62	733	1
MA611S56	1-3/4"	44	65	25	62	762	1
MA611S58	1-13/16"	44	67	25	68	870	1
MA611S60	1-7/8"	44	68	25	68	879	1
MA611S62	1-15/16"	44	70	33	70	960	1
MA611S64	2"	54	71	33	72	1101	1
MA611S66	2-1/16"	54	74	33	72	1126	1
MA611S68	2-1/8"	54	77	33	72	1239	1
MA611S70	2-3/16"	54	77	33	74	1221	1
MA611S72	2-1/4"	54	80	33	74	1353	1
MA611S74	2-5/16"	54	82	33	75	1356	1
MA611S76	2-3/8"	54	84	33	75	1436	1
MA611S78	2-7/16"	54	85	33	75	1796	1
MA611S80	2-1/2"	54	86	33	75	1424	1
MA611S82	2-9/16"	62	89	36	78	1627	1
MA611S84	2-5/8"	62	91	38	80	1757	1
MA611S86	2-11/16"	62	93	38	80	1850	1
MA611S88	2-3/4"	62	95	40	82	2003	1
MA611S90	2-13/16"	62	98	40	82	2195	1
MA611S92	2-7/8"	62	100	40	82	2158	1
MA611S94	2-15/16"	62	102	40	85	2334	1
MA611S96	3"	62	104	40	87	2535	1



# 3/4" MA611M

## Impact Standard Socket

- 3/4" drive standard Length
- 6 points
- Metric size

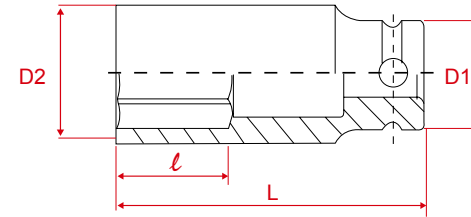


M7 NO.	D1	D2	ℓ	L	g		
	mm	mm	mm	mm	mm		
MA611M17	17	38	28	16	50	225	1
MA611M19	19	38	30	16	50	235	1
MA611M20	20	38	31	16	52	233	1
MA611M21	21	38	32	18	52	239	1
MA611M22	22	38	34	18	52	249	1
MA611M23	23	38	35	18	52	249	1
MA611M24	24	38	36	18	52	246	1
MA611M25	25	38	38	18	52	267	1
MA611M26	26	40	40	18	52	297	1
MA611M27	27	40	40	18	52	285	1
MA611M28	28	42	42	19	52	330	1
MA611M29	29	42	42	19	52	320	1
MA611M30	30	44	44	19	52	368	1
MA611M31	31	44	44	20	52	370	1
MA611M32	32	44	44	22	52	364	1
MA611M33	33	44	47	22	56	411	1
MA611M34	34	44	48	22	56	435	1
MA611M35	35	44	50	22	56	458	1
MA611M36	36	44	51	22	56	472	1
MA611M37	37	44	52	22	56	483	1
MA611M38	38	44	53	22	56	499	1
MA611M40	40	44	56	26	62	568	1
MA611M41	41	44	58	26	62	618	1
MA611M42	42	44	61	26	62	679	1
MA611M43	43	44	63	27	63	734	1
MA611M44	44	44	65	27	63	772	1
MA611M45	45	44	66	27	63	792	1
MA611M46	46	44	67	27	63	815	1
MA611M47	47	44	68	32	68	883	1
MA611M48	48	44	69	32	68	934	1
MA611M49	49	44	70	34	70	994	1
MA611M50	50	54	71	35	72	1117	1
MA611M52	52	54	74	35	72	1160	1
MA611M54	54	54	77	35	72	1236	1
MA611M55	55	54	77	35	74	1247	1
MA611M56	56	54	80	35	74	1545	1
MA611M60	60	54	84	35	75	1454	1
MA611M63	63	54	86	35	75	1521	1
MA611M65	65	54	88	35	78	1565	1

# 3/4" MA631M

## Impact Deep Socket

- 3/4" drive Deep Length
- 6 points
- Metric size



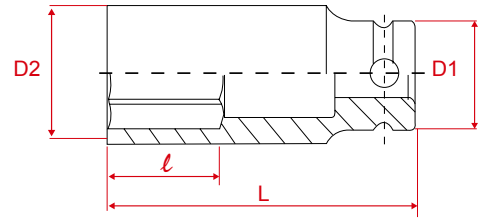
M7 NO.	D1	D2	ℓ	L	g		
	mm	mm	mm	mm	mm		
MA631M19	19	38	30	11.5	85	360	1
MA631M20	20	38	31	12.0	85	371	1
MA631M21	21	38	32	12.0	85	378	1
MA631M22	22	38	34	12.5	85	402	1
MA631M23	23	38	35	13.0	85	415	1
MA631M24	24	38	36	14.0	85	410	1
MA631M25	25	38	38	35.0	85	429	1
MA631M26	26	40	40	35.0	85	487	1
MA631M27	27	40	40	35.0	85	470	1
MA631M28	28	42	42	35.0	85	529	1
MA631M29	29	42	42	35.0	85	458	1
MA631M30	30	44	44	35.0	85	573	1
MA631M31	31	44	44	35.0	85	552	1
MA631M32	32	44	44	35.0	85	535	1
MA631M33	33	44	47	35.0	85	614	1
MA631M34	34	44	48	35.0	85	617	1
MA631M35	35	44	50	40.0	85	576	1
MA631M36	36	44	51	40.0	85	684	1
MA631M37	37	44	52	40.0	85	699	1
MA631M38	38	44	53	40.0	85	708	1
MA631M40	40	44	56	40.0	85	763	1
MA631M41	41	44	58	45.0	85	801	1
MA631M42	42	44	61	45.0	85	889	1
MA631M43	43	44	63	55.0	95	1168	1
MA631M44	44	44	65	55.0	95	1215	1
MA631M45	45	44	66	55.0	95	1220	1
MA631M46	46	44	67	55.0	95	1259	1
MA631M47	47	44	68	55.0	95	1266	1
MA631M48	48	44	69	55.0	95	1285	1
MA631M49	49	44	70	55.0	95	1354	1
MA631M50	50	54	71	55.0	95	1388	1
MA631M52	52	54	74	55.0	95	1516	1
MA631M55	55	54	77	55.0	100	1664	1
MA631M60	60	54	84	55.0	105	1935	1
MA631M65	65	54	88	55.0	105	2214	1


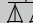



# 3/4" MA631S

## Impact Deep Socket

- 3/4" drive Deep Length
- 6 points
- Inch size

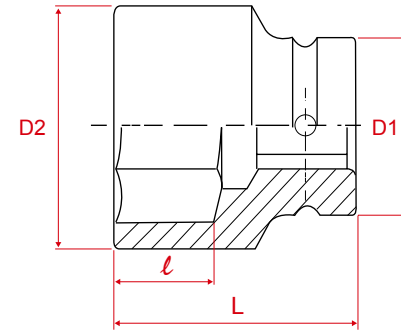





M7 NO.		D1	D2	l	L		
	mm	mm	mm	mm	mm	g	
MA631S16	1/2"	38	22.0	20	85	310	1
MA631S18	9/16"	38	26.5	20	85	364	1
MA631S20	5/8"	38	27.5	20	85	361	1
MA631S22	11/16"	38	29.0	20	85	374	1
MA631S24	3/4"	38	30.0	20	85	364	1
MA631S26	13/16"	38	32.0	25	85	378	1
MA631S28	7/8"	38	34.0	25	85	402	1
MA631S30	15/16"	38	36.0	25	85	414	1
MA631S32	1"	40	40.0	35	85	500	1
MA631S34	1-1/16"	40	40.0	35	85	472	1
MA631S36	1-1/8"	42	42.0	35	85	517	1
MA631S38	1-3/16"	44	44.0	35	85	567	1
MA631S40	1-1/4"	44	44.0	35	85	537	1
MA631S42	1-5/16"	44	47.0	35	85	605	1
MA631S44	1-3/8"	44	50.0	40	85	686	1
MA631S46	1-7/16"	44	51.0	40	85	671	1
MA631S48	1-1/2"	44	53.0	40	85	697	1
MA631S50	1-9/16"	44	56.0	40	85	766	1
MA631S52	1-5/8"	44	58.0	45	85	783	1
MA631S54	1-11/16"	44	63.5	45	85	979	1
MA631S56	1-3/4"	44	65.0	45	85	1023	1
MA631S58	1-13/16"	44	67.0	45	85	1081	1
MA631S60	1-7/8"	44	68.0	45	85	1087	1
MA631S62	1-15/16"	44	70.0	45	85	1175	1
MA631S64	2"	54	71.0	45	85	1243	1
MA631S66	2-1/16"	54	74.0	55	95	1478	1
MA631S68	2-1/8"	54	77.0	55	95	1586	1
MA631S70	2-3/16"	54	77.0	55	95	1504	1
MA631S72	2-1/4"	54	80.0	55	95	1650	1
MA631S74	2-5/16"	54	82.0	55	95	1725	1
MA631S76	2-3/8"	54	84.0	55	95	1794	1
MA631S78	2-7/16"	54	85.0	55	95	1737	1
MA631S80	2-1/2"	54	86.0	55	95	1760	1
MA631S82	2-9/16"	62	89.0	46	100	2581	1
MA631S84	2-5/8"	62	91.0	50	100	2297	1
MA631S86	2-11/16"	62	93.0	56	105	2383	1
MA631S88	2-3/4"	62	95.0	56	105	2424	1
MA631S90	2-13/16"	62	98.0	67	110	2876	1
MA631S92	2-7/8"	62	100.0	67	110	2905	1
MA631S94	2-15/16"	62	102.0	80	120	3258	1
MA631S96	3"	62	104.0	80	120	3267	1

# 1" MA811M

## Impact Standard Socket

- 1" drive standard Length
- 6 points
- Metric size



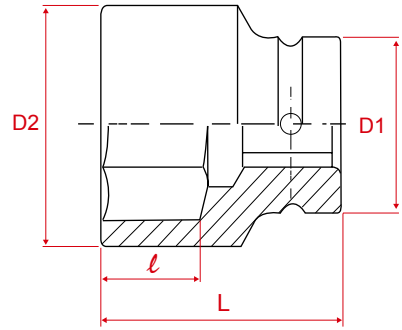
M7 NO.		D1	D2	l	L		
	mm	mm	mm	mm	mm	g	
MA811M19	19	51	36.0	19	58	490	1
MA811M21	21	51	38.0	19	58	487	1
MA811M22	22	51	39.0	19	58	50	1
MA811M23	23	51	40.0	19	58	501	1
MA811M24	24	51	40.0	19	58	508	1
MA811M25	25	51	41.0	19	58	508	1
MA811M26	26	51	42.5	19	58	508	1
MA811M27	27	51	44.0	19	58	503	1
MA811M28	28	51	45.0	19	58	513	1
MA811M29	29	51	46.0	21	60	518	1
MA811M30	30	51	48.0	21	60	541	1
MA811M32	32	51	51.0	21	60	566	1
MA811M33	33	52	53.0	23	62	626	1
MA811M34	34	52	54.0	23	62	645	1
MA811M35	35	52	54.0	23	62	655	1
MA811M36	36	52	56.0	23	62	655	1
MA811M38	38	52	58.0	23	62	674	1
MA811M40	40	52	60.0	23	62	680	1
MA811M41	41	52	61.5	23	62	726	1
MA811M42	42	52	63.0	25	64	769	1
MA811M43	43	52	65.0	25	64	801	1
MA811M44	44	58	66.0	25	64	950	1
MA811M45	45	58	67.0	25	64	958	1
MA811M46	46	58	68.0	25	64	976	1
MA811M50	50	58	73.0	31	70	1139	1
MA811M52	52	58	75.0	31	70	1156	1
MA811M54	54	58	78.0	31	70	1232	1
MA811M55	55	62	79.0	33	72	1329	1
MA811M56	56	62	80.0	35	74	1389	1
MA811M58	58	62	85.0	36	75	1590	1
MA811M60	60	62	87.0	37	78	1722	1
MA811M65	65	62	93.0	38	80	1852	1
MA811M70	70	62	98.0	42	85	2171	1



# 1" MA811S

## Impact Standard Socket

- 1" drive standard Length
- 6 points
- Inch size

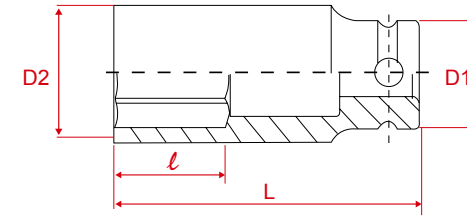


M7 NO.		D1	D2	l	L		
	mm	mm	mm	mm	mm	g	
MA811S24	3/4"	50.9	36	18	58	475	1
MA811S26	13/16"	50.9	38	18	58	486	1
MA811S28	7/8"	50.9	39	18	58	495	1
MA811S30	15/16"	50.9	40	18	58	481	1
MA811S32	1"	50.9	42	18	58	497	1
MA811S34	1-1/16"	50.9	44	18	58	506	1
MA811S36	1-1/8"	50.9	46	18	58	512	1
MA811S38	1-3/16"	50.9	48	20	60	545	1
MA811S40	1-1/4"	50.9	50.9	20	60	566	1
MA811S42	1-5/16"	52.0	52.9	22	62	631	1
MA811S44	1-3/8"	52.0	53.9	22	62	634	1
MA811S46	1-7/16"	52.0	55.9	22	62	645	1
MA811S48	1-1/2"	52.0	58.0	22	62	667	1
MA811S50	1-9/16"	52.0	60.0	22	62	697	1
MA811S52	1-5/8"	52.0	61.5	22	62	717	1
MA811S54	1-11/16"	52.0	65.0	24	64	791	1
MA811S56	1-3/4"	58.0	66.0	24	64	944	1
MA811S58	1-13/16"	58.0	68.0	24	64	976	1
MA811S60	1-7/8"	58.0	70.0	26	66	1036	1
MA811S62	1-15/16"	58.0	72.0	28	68	1037	1
MA811S64	2"	58.0	74.0	30	70	1157	1
MA811S66	2-1/16"	58.0	75.0	30	70	1158	1
MA811S68	2-1/8"	58.0	78.0	30	70	1212	1
MA811S70	2-3/16"	62.0	80.0	33	72	1350	1
MA811S72	2-1/4"	62.0	84.0	35	75	1595	1
MA811S74	2-5/16"	62.0	86.0	35	75	1594	1
MA811S76	2-3/8"	62.0	87.0	36	78	1686	1
MA811S78	2-7/16"	62.0	89.0	36	78	1750	1
MA811S80	2-1/2"	62.0	91.0	37	80	1826	1
MA811S82	2-9/16"	62.0	93.0	37	80	1879	1
MA811S84	2-5/8"	62.0	95.0	39	82	2013	1
MA811S86	2-11/16"	62.0	97.0	39	82	1987	1
MA811S88	2-3/4"	62.0	98.0	41	85	2111	1
MA811S90	2-13/16"	62.0	100.0	41	87	2212	1
MA811S92	2-7/8"	62.0	102.0	41	87	2314	1
MA811S94	2-15/16"	86.0	104.0	50	95	2571	1
MA811S96	3"	86.0	106.0	52	98	3361	1
MA811S100	3-1/8"	86.0	109.0	52	100	3515	1
MA811S104	3-1/4"	86.0	113.0	52	100	3696	1
MA811S108	3-3/8"	86.0	115.0	52	100	3633	1
MA811S112	3-1/2"	86.0	119.0	52	105	4075	1
MA811S116	3-5/8"	86.0	127.0	52	110	5023	1
MA811S120	3-3/4"	86.0	130.0	52	110	4937	1
MA811S124	3-7/8"	95.0	136.0	52	110	5740	1
MA811S128	4"	95.0	140.0	62	120	6816	1
MA811S132	4-1/8"	95.0	143.0	62	120	6725	1
MA811S136	4-1/4"	95.0	146.0	62	120	6861	1
MA811S144	4-1/2"	95.0	152.0	62	120	7068	1

# 1" MA831S

## Impact Deep Socket

- 1" drive Deep Length
- 6 points
- Inch size



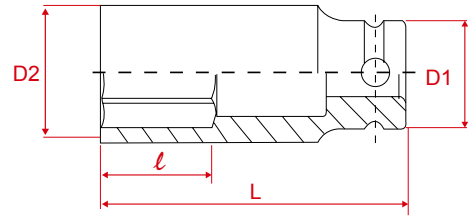
M7 NO.		D1	D2	l	L		
	mm	mm	mm	mm	mm	g	
MA831S26	13/16"	51	38	27	90	745	1
MA831S30	15/16"	51	40	27	90	731	1
MA831S34	1-1/16"	51	44	32	90	765	1
MA831S38	1-3/16"	51	48	37	90	807	1
MA831S42	1-5/16"	52	53	37	90	923	1
MA831S46	1-7/16"	52	56	42	90	942	1
MA831S50	1-9/16"	52	60	42	92	1058	1
MA831S54	1-11/16"	52	65	42	92	1208	1
MA831S58	1-13/16"	58	68	42	92	1356	1
MA831S62	1-15/16"	58	72	42	92	1468	1
MA831S66	2-1/16"	58	75	52	95	1556	1
MA831S70	2-3/16"	62	80	52	100	1898	1
MA831S74	2-5/16"	62	86	57	105	2360	1
MA831S78	2-7/16"	62	89	62	110	2521	1
MA831S82	2-9/16"	62	93	72	120	2983	1
MA831S86	2-11/16"	62	97	77	124	3077	1
MA831S90	2-13/16"	62	100	82	128	3315	1
MA831S94	2-15/16"	86	104	87	135	4429	1
MA831S100	3-1/8"	86	109	87	135	4689	1
MA831S108	3-3/8"	86	115	87	135	5010	1
MA831S116	3-5/8"	86	127	90	140	6194	1
MA831S124	3-7/8"	95	136	90	140	6921	1
MA831S132	4-1/8"	95	143	105	155	8469	1
MA831S144	4-1/2"	95	152	105	155	8950	1



# 1" MA831M

## Impact Deep Socket

- 1" drive Deep Length
- 6 points
- Metric size

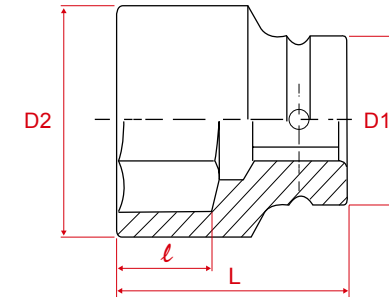


M7 NO.	D1	D2	l	L	g		
mm	mm	mm	mm	mm	mm	g	
MA831M19	19	51	36	25	58	708	1
MA831M21	21	51	38	25	58	731	1
MA831M22	22	51	39	25	58	745	1
MA831M23	23	51	40	25	58	750	1
MA831M24	24	51	40	25	58	729	1
MA831M25	25	51	41	30	58	746	1
MA831M26	26	51	42.5	30	58	742	1
MA831M27	27	51	44	30	58	772	1
MA831M28	28	51	45	30	58	764	1
MA831M29	29	51	46	30	60	785	1
MA831M30	30	51	48	35	60	810	1
MA831M32	32	51	51	35	60	861	1
MA831M33	33	52	53	35	62	928	1
MA831M34	34	52	54	40	62	939	1
MA831M35	35	52	54	40	62	912	1
MA831M36	36	52	56	40	62	980	1
MA831M38	38	52	58	40	62	1015	1
MA831M40	40	52	60	40	62	1039	1
MA831M41	41	52	61.5	40	62	1087	1
MA831M42	42	52	63	40	64	1115	1
MA831M43	43	52	65	40	64	1200	1
MA831M44	44	58	66	40	64	1330	1
MA831M45	45	58	67	40	64	1345	1
MA831M46	46	58	68	40	64	1317	1
MA831M50	50	58	73	45	70	1531	1
MA831M52	52	58	75	45	70	1522	1
MA831M54	54	58	78	45	70	1685	1
MA831M55	55	62	79	50	72	1848	1
MA831M56	56	62	80	50	74	1859	1
MA831M58	58	62	85	55	75	2226	1
MA831M60	60	62	87	55	78	2332	1
MA831M65	65	62	93	70	80	2912	1
MA831M70	70	62	98	75	85	3183	1

# 1-1/2" MA911M

## Impact Standard Socket

- 1-1/2" drive Standard Length
- 6 points
- Metric size

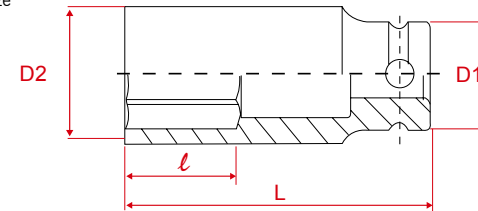


M7 NO.	D1	D2	l	L	g		
mm	mm	mm	mm	mm	mm	g	
MA911M35	35	86	62	23	78	2200	1
MA911M41	41	86	70	26	80	2320	1
MA911M46	46	86	76	27	84	2460	1
MA911M50	50	86	80	29	87	2590	1
MA911M51	51	86	82	29	87	2610	1
MA911M52	52	86	83	30	87	2590	1
MA911M54	54	86	86	36	90	2740	1
MA911M55	55	86	86	36	90	3160	1
MA911M58	58	86	93	38	90	2870	1
MA911M60	60	86	93	38	90	2790	1
MA911M65	65	86	98	40	95	2180	1
MA911M70	70	86	106	43	95	3240	1
MA911M75	75	86	108	45	103	3430	1
MA911M80	80	86	118	50	110	4190	1
MA911M85	85	86	125	50	110	4450	1
MA911M90	90	86	128	55	118	4820	1
MA911M95	95	95	134	55	118	5830	1
MA911M100	100	95	138	58	125	5920	1
MA911M105	105	95	142	58	125	6140	1
MA911M110	110	95	148	66	135	6120	1
MA911M115	115	95	158	66	135	7520	1
MA911M120	120	95	165	66	135	8360	1
MA911M130	130	127	178	72	140	9040	1

# 1-1/2" MA931M

## Impact Deep Socket

- 1-1/2" drive Deep Length
- 6 points
- Metric size



M7 NO.	D1	D2	l	L	g		
mm	mm	mm	mm	mm	mm	g	
MA931M41	41	86	70	32	115	3070	1
MA931M51	51	86	82	38	135	3940	1
MA931M54	54	86	86	36	140	4310	1
MA931M55	55	86	86	36	140	4670	1
MA931M58	58	86	93	43	150	4950	1
MA931M60	60	86	93	45	150	4900	1
MA931M65	65	86	98	47	150	5070	1
MA931M70	70	86	106	49	160	6050	1
MA931M75	75	86	108	53	170	6270	1
MA931M80	80	86	118	53	170	7310	1
MA931M85	85	86	125	58	170	7900	1
MA931M90	90	86	128	62	170	7790	1
MA931M95	95	95	134	65	180	9070	1
MA931M100	100	95	138	68	190	9770	1
MA931M110	110	95	148	75	190	10390	1
MA931M115	115	95	158	80	210	12930	1
MA931M120	120	95	165	80	210	15160	1
MA931M125	125	95	168	80	210	13150	1



# 1/4" ME221

1/4" Drive Extension Bar



M7 NO.	Total Length			Icons
	inch	mm	g	
ME221-02	2"	50	26	10
ME221-04	4"	100	46	10
ME221-06	6"	150	67	10

# 3/8" ME321

3/8" Drive Extension Bar



M7 NO.	Total Length			Icons
	inch	mm	g	
ME321-03	3"	75	79	10
ME321-05	5"	125	124	10
ME321-06	6"	150	140	10
ME321-10	10"	250	242	10
ME321-12	12"	300	288	10
ME321-15	15"	375	354	10

# 1/2" ME421

1/2" Drive Extension Bar



M7 NO.	Total Length			Icons
	inch	mm	g	
ME421-03	3"	75	142	10
ME421-05	5"	125	228	10
ME421-10	10"	250	653	10
ME421-15	15"	375	1041	10

# 3/4" ME621

3/4" Drive Extension Bar



M7 NO.	Total Length			Icons
	inch	mm	g	
ME621-03	3"	100	609	10
ME621-06	6"	150	813	10
ME621-07	7"	175	911	10
ME621-08	8"	200	929	10
ME621-10	10"	250	1200	10
ME621-13	13"	330	1480	10

# 1" ME821

1" Drive Extension Bar



M7 NO.	Total Length			Icons
	inch	mm	g	
ME821-03	4"	100	727	10
ME821-06	6"	150	1330	10
ME821-07	7"	175	1520	10
ME821-08	8"	200	1705	10
ME821-10	10"	250	2050	10
ME821-12	12"	300	2382	10
ME821-13	13"	375	2550	10

# ME422

1/2" Drive Torque Extension Bar



M7 NO.	Color	Total Length	d	Torque		Icons
				Ft./Nm	g	
ME422-090	Yellow	194	9	65/90	236	10
ME422-110	Blue	194	11	80/110	231	10
ME422-122	Gray	194	12.2	100/135	258	10
ME422-137	White	194	13.7	120/160	300	10
ME422-151	Sky nature	194	15.1	140/190	306	10
ME422-103	Black	194	10.3	75/100	224	10
ME422-114	Beige	194	11.4	90/120	242	10
ME422-128	Orange	194	12.8	110/150	269	10

# DRIVE UNIVERSAL JOINT

M7 NO.	Size	d		Total Length		Icons
		inch	mm	inch	mm	
ME2711	1/4"	20	1-3/4"	65	42	10
ME3711	3/8"	27	2"	51	102	10
ME4711	1/2"	34	2-7/16"	61	208	10
ME6711	3/4"	49	3-1/2"	90.4	641	10
ME8711	1"	59	4-1/2"	114	1199	10
ME9711	1-1/2"	90	6-11/16"	170	1312	10



# DRIVE MALE ADAPTER

M7 NO.	Spec	d		L	Icons
		mm	mm		
ME382	3/8" F x 1/4" M	22	32	12	10
ME384	3/8" F x 1/2" M	22	32	50	10
ME483	1/2" F x 3/8" M	25	38	65	10
ME486	1/2" F x 3/4" M	30	48	161	10
ME688	3/4" F x 1" M	46	68	437	10
ME684	3/4" F x 1/2" M	44	60	343	10
ME886	1" F x 3/4" M	56	80	653	10
ME889	1" F x 1-1/2" M	54	90	1078	10



# 3/8" MB371S

3/8" Drive Bit Holder

M7 NO.	Total Length			Icons
	inch	mm	g	
MB371S	3/8"	40	44(0.09)	10



# 1/2" ME471S

1/2" Drive SAE Impact Hex Driver

M7 NO.	Hex	Total Length			Icons
		inch	mm	g	
ME471S08L	1/4"	78	69	10	
ME471S10L	5/16"	78	94	10	
ME471S12L	3/8"	78	105	10	
ME471S14L	7/16"	78	119	10	
ME471S16L	1/2"	78	134	10	
ME471S18L	9/16"	78	151	10	
ME471S20L	5/8"	78	173	10	
ME471S22L	11/16"	78	194	10	
ME471S24L	3/4"	78	215	10	
ME471S26L	13/16"	78	229	10	



# 1/2" ME471M

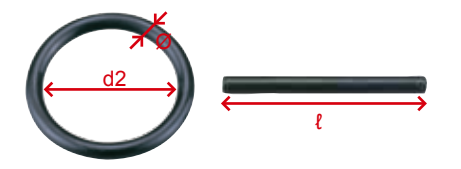
1/2" Drive SAE Impact Hex Driver

M7 NO.	Hex	Total Length			Icons
		inch	mm	g	
ME471M04L	4	78	71	10	
ME471M05L	5	78	77	10	
ME471M06L	6	78	81	10	
ME471M07L	7	78	87	10	
ME471M08L	8	78	95	10	
ME471M09L	9	78	102	10	
ME471M10L	10	78	108	10	
ME471M11L	11	78	118	10	
ME471M12L	12	78	128	10	
ME471M13L	13	78	140	10	
ME471M14L	14	78	149	10	
ME471M15L	15	78	166	10	
ME471M16L	16	78	177	10	
ME471M17L	17	78	188	10	
ME471M18L	18	78	202	10	
ME471M19L	19	78	215	10	
ME471M21L	21	78	233	10	



# 3/8" ME903

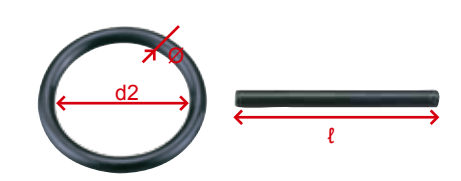
3/8" Drive Locking Ring / 3/8" Drive Locking Pin



M7 NO.	Desp.	Ø	d2		ℓ	Applied to socket sizes
			mm	mm		
ME90315	Ring	3.5	13			8-24mm (5/16"-13/16")
ME90315	Pin	2.5		15		
ME90324	Ring	2.5	16			21-32mm (7/8"-1-1/4")
ME90324	Pin	2.5		18		

# 1/2" ME904

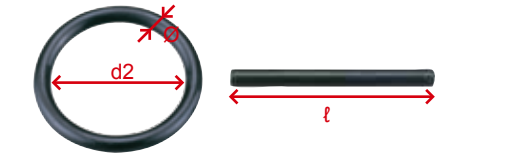
1/2" Drive Locking Ring / 1/2" Drive Locking Pin



M7 NO.	Desp.	Ø	d2		ℓ	Applied to socket sizes
			mm	mm		
ME90424	Ring	4	20			8-24mm (5/16"-13/16")
ME90424	Pin	4		18		
ME90432	Ring	4	25			21-32mm (7/8"-1-1/4")
ME90432	Pin	4		20.5		
ME90436	Ring	4	30			33-36mm (1-5/16"-1-3/8")
ME90436	Pin	4		25.5		
ME90434	Ring	4	38			37-34mm (1-7/16"-1-5/16")
ME90434	Pin	4		30.5		
ME90458	Ring	4	46			50-58mm (2"-2-1/4")
ME90458	Pin	4		39.5		

# 3/4" ME906

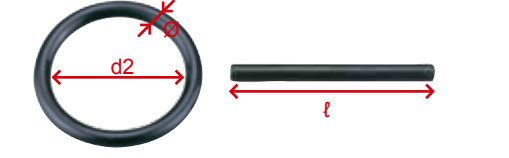
3/4" Drive Locking Ring/3/4" Drive Locking Pin



M7 NO.	Desp.	Ø	d2		ℓ	Applied to socket sizes
			mm	mm		
ME90627	Ring	4	32			17-27mm (1/2"-1-1/8")
ME90627	Pin	4		32		
ME90646	Ring	4	36			28-49mm (1-1/8"-1-15/16")
ME90646	Pin	4		35.5		
ME90650	Ring	4	46			50mm-65mm (2"-2-1/2")
ME90650	Pin	4		46		

# 1" ME908

1" Drive Locking Ring/1" Drive Locking Pin



M7 NO.	Desp.	Ø	d2		ℓ	Applied to socket sizes
			mm	mm		
ME90836	Ring	5	48			19-70mm (3/4"-2-7/8")
ME90836	Pin	5		46		
ME90860	Ring	10	75			(2-15/16"-3-3/4")
ME90860	Pin	10		80		



# AFTER MARKET SUPPORT

## AD-307

Wall Type Display Stand

- Powder coating
  - Attachment
- 1pc Brand Plate  
2pcs Angled Steel Frame  
2pcs Shelf  
1pc Bottom Shelf  
4pcs Steel Plate With Hole

Overall Size(mm)  
Width x Depth x Height  
900 x 500 x 2230

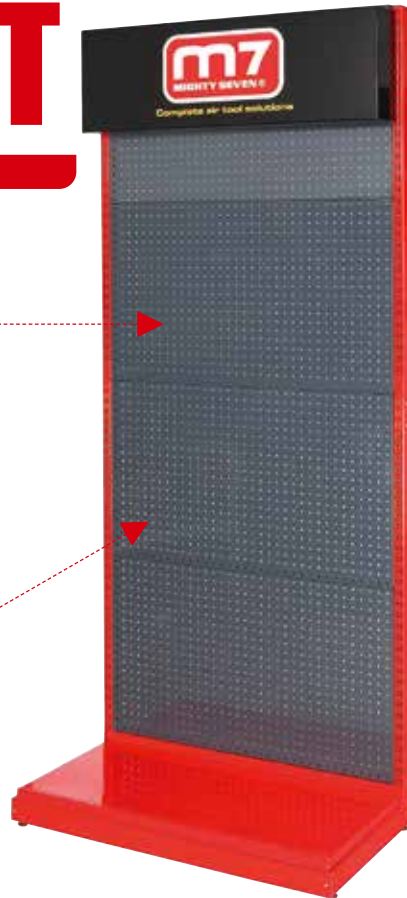
## AD-351

Optional Item

## AD-361

Optional Item

Overall Size(mm)  
Width x Depth  
280 x 910 mm



## AD-306

Table Type Display Stand

- 1 pc Transparent DM shelf
- 2 pcs support frame
- 1 pc Bottom shelf
- 3 set (AD-3521/3522/3523)

Overall Size(mm)  
Width x Depth x Height  
300 x 140 x 340



## AD-201

1/2" DR. Socket Shelf Set



## AD-431 New

1/2" DR. Socket Shelf Set



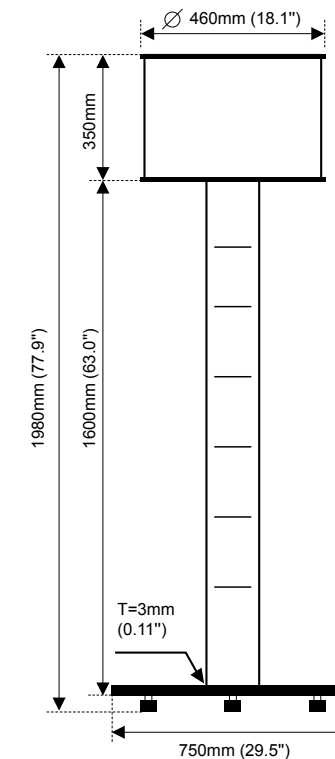
**PNEUMATIC TOOLS**  
GLOBAL EXPANSION

## AD-35 Complete set of Tool Base

Item No.	Adaptor Type	Contents		
AD-3501	Europe			
AD-3502	Japan			
AD-3503	U.S.A.			

## AD-36 Complete set of Tool Base

Item No.	Adaptor Type	Contents		
AD-3601	Europe			
AD-3602	Japan			
AD-3603	U.S.A.			



## AD-308

### Tower Type Display Stand

- 1 pc Transparent DM shelf
- 2 pcs support frame
- 1 pc Bottom shelf

Contains	Package				
	net weight kg	gross weight kg	length mm	width mm	highly mm
Lamp Case Set	4.35	5.35	530	510	101
Display Pillar	8.0	9.0	930	330	180
Display Stand Bottom Plate	10.45	11.45	810	820	70

## AD-305-41

Optional Item

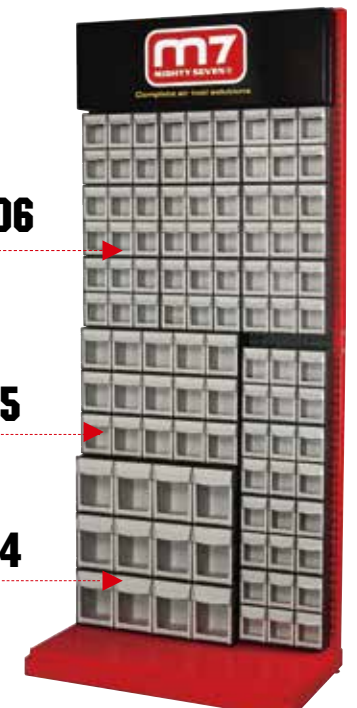
## SF-306 / SF-604 SF-605

### Spare Parts Box

- greasy-resisting
- wearproof

Overall Size(mm)  
Width x Depth x Height

- SF-306 303 x 106 x 253 (11.8"x4.1"x10")
- SF-604 603 x 167 x 203 (23.7"x6.5"x8")
- SF-605 603 x 123 x 153 (23.7"x4.8"x6")



# ACCESSORIES

## SD-5408

**1" FILTER TUBE**  
Filter out the dust and extend the tool's lifetime  
Air inlet : 1/2"



## QB-9211 [SET]

Grinder Stone Set  
(3mm Shank)



## QB-9211 [SET]

Grinder Stone Set  
(6mm Shank)

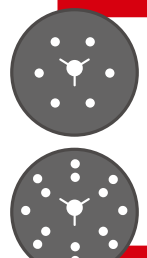


## QB-9326

PAD six hole 6"

## QB-9327

PAD fifteen hole 6"



## QD-924

24T Saw Blade  
Bi-Metal Material 10 pcs / box



## QM-901

Universal repairing Kit for  
auto Transmission shaft boot



## QD-932

32T Saw Blade  
Bi-Metal Material

10 pcs / box



## QB-9320

FOR QK-121



## SC-2A SC-2B

Retainer Quick Change Retainer  
For SC-21/SC-22 SC-31/SC-34 SERIES



**PNEUMATIC TOOLS**  
GLOBAL EXPANSION

## SC-4 CHISEL SET

- Flat Chisel
- Cutting Chisel
- Tapered Punch
- Ripping Chisel
- Tail Pipe Cutter
- SC-415 - Chisel Set / 175mmL / Round
- SC-425 - Chisel Set / 175mmL / Hex



## QB-9323

3"PAD 5/16"x24



## QB-9337M / QB-9337S

Item NO.	SIZE	R.P.M	PS.
QB-9337M	7"	15,000	M14*2.0
QB-9337S	7"	15,000	5/8"*11



## QB-904 QB-905 QB-907

Item No.  
QB-904  
QB-905  
QB-907

Grinding Wheel Materials: Aluminum Oxide

Item No.	SIZE	R.P.M	For Item No.
QB-904	100x6x16 4"x1/4"x5/8"	25 / 200	QB-104/114/134 /144/154/164 /124 /7114
QB-905	125x6x22 5"x1/4"x7/8"	25 / 100	QB-105/115/135 /145/155/165 /125/7115
QB-907	180x6x22 7"x1/4"x7/8"	25 / 100	QB-107/117 /197Q/177



## QB-913

QB-913

## QB-914

QB-914

Cut-off Wheel

Item No.	SIZE	For Item No.
QB-913	3"x1/16"x3/8" Arbor Hole(75x1.5x10)	for QC-213 QC-253
QB-914	4"x1/16"x3/8" Arbor Hole(100x1.5x10)	for QC-234 QC-254



## QB-911-08-10 QB-912-08-10

Abrasive Cloth Belt  
10 pcs / 1 Set



Item No.	Belt Size	for
QB-91108	10mm x 330mm #80	for QB-311 / QB-321
QB-91110	10mm x 330mm #100	
QB-91208	20mm x 520mm #80	for QB-312/
QB-91210	20mm x 520mm #100	QB-322/QB-322C

## QB-9802 / QB-9803

Stripping Disc



Item NO.	SIZE	R.P.M
QB-9802	2"	15,000
QB-9803	3"	15,000

## QB-801

Eraser Wheel

## QB-9401

Wire Wheel





# ACCESSORIES

## SN-268 SN-288 Needle Set



Needle Set	
(19 Needle Set) 3x180 m/m	SN-268 for SN-1268 SN-2110,SN-1368
(12 Needle Set) 3x125 m/m	SN-288 for SN-1288

## QB-9702 SERIES QB-9703 SERIES Pad Die



Item NO.	SIZE	R.P.M	PS.
0QB-9702-60	2"	30,000	Grit: # 60
0QB-9702-80	2"	30,000	Grit: # 80
0QB-9702-120	2"	30,000	Grit: #120
0QB-9702-180	2"	30,000	Grit: #180
0QB-9703-60	3"	25,000	Grit: #60
0QB-9703-80	3"	25,000	Grit: #80
0QB-9703-120	3"	25,000	Grit: #120
0QB-9703-180	3"	25,000	Grit: #180

## QB-9712 SERIES QB-9713 SERIES Sanding Disc



Item NO.	SIZE	R.P.M	PS.
0QB-9712-YL	2"	30,000	Yellow-Coarse #80
0QB-9712-RD	2"	30,000	Red-Medium #150
0QB-9712-BL	2"	30,000	Blue-Fine #300
0QB-9713-YL	3"	20,000	Yellow-Coarse #80
0QB-9713-RD	3"	20,000	Red-Medium #150
0QB-9713-BL	3"	20,000	Blue-Fine #300

## QB-95 SERIES Wool Bonnet PAD



Item NO.	SIZE	Net Weight	PS.
0QB-9512	2"		Velcro
0QB-9513	3"		Velcro
0QB-9515	5"		Velcro
0QB-9517	7"		Velcro
0QB-9507	7"		Velcro

## QB-94 SERIES Sponge



Item NO.	SIZE	Thickness	PS.
0QB-9402	2"	25mm	Yellow / Rough
0QB-9422	2"	25mm	White / Medium
0QB-9403	3"	25mm	Yellow / Rough
0QB-9413	3"	25mm	White / Medium
0QB-9404	4"	25mm	Yellow / Rough
0QB-9424	4"	25mm	White / Medium
0QB-9405	5"	25mm	Yellow / Rough
0QB-9425	5"	25mm	White / Medium
0QB-9406	6"	25mm	Yellow / Rough
0QB-9426	6"	25mm	White / Medium
0QB-9407	7"	25mm	Yellow / Rough
0QB-9427	7"	25mm	White / Medium

## SY-M SY-F Air Adaptor / Quick Couplings Air Adaptor

Item No.	Thread Type	Thread Size	Type	Picture
SY-211M	Male	1/4" PT	Europe	
SY-211F	Female	1/4" PT		
SY-221M	Male	1/4" PT 3/8" PT	Japan	
SY-221F	Female	1/4" PT 3/8" PT		
SY-231M	Male	1/4" NPT	U.S.A	
SY-231F	Female			
SY-251M	Male	1/4" PT 3/8" PT	France	
SY-351M	Female	1/4" PT 3/8" PT		

## SY-2001M 360° Rotatable Adaptor Air inlet 1/4"



## Air Coupler

Item No.	Thread Type	Thread Size	Type	Picture
SY-210M	Male	1/4" PT	Europe	
SY-210F	Female			
SY-220M	Male	1/4" PT 3/8" PT	Japan	
SY-320M	Female	1/4" PT 3/8" PT		
SY-220F	Female	1/4" PT 3/8" PT	U.S.A	
SY-320F	Male	1/4" NPT		

## SY-2002M Air Regulator & 360° Rotatable Adaptor Air inlet 1/4"



# ACCESSORIES

## 1/4" POWER BIT (PHILLIPS HEAD)



"OVERALL LENGTH(mm)"	SIZE	ITEM NO.	øD(mm)
50	0	MD10150P0A	3
	1	MD10150P1A	4.5
	2	MD10150P2A	6
	3	MD10150P3A	6
70	1	MD10170P1A	4.5
	2	MD10170P2A	6
	3	MD10170P3A	6

## 1/4" POWER BIT (DOUBLE PHILLIPS HEAD)



"OVERALL LENGTH(mm)"	SIZE	ITEM NO.
65	1	MD10165P1P1A
	2	MD10165P2P2A
	3	MD10165P3P3A
110	1	MD101110P1P1A
	2	MD101110P2P2A
	3	MD101110P3P3A

## 1/4" POWER BIT (POZIDON HEAD)



"OVERALL LENGTH(mm)"	SIZE	ITEM NO.	øD(mm)
50	0	MD10150Z0A	3
	1	MD10150Z1A	4.5
	2	MD10150Z2A	6
	3	MD10150Z3A	6
70	1	MD10170Z1A	4.5
	2	MD10170Z2A	6
	3	MD10170Z3A	6

## 1/4" POWER BIT (HEX HEAD)



"OVERALL LENGTH(mm)"	A(mm)	ITEM NO.
50	1.5	MD10150H015A
	2	MD10150H020A
	2.5	MD10150H025A
	3	MD10150H030A
	4	MD10150H040A
	5	MD10150H050A
	6	MD10150H060F
	7	MD10150H070E
	8	MD10150H080E
	10	MD10150H100E
70	1.5	MD10170H015A
	2	MD10170H020A
	2.5	MD10170H025A
	3	MD10170H030A
	4	MD10170H040A
	5	MD10170H050A
	6	MD10170H060F
	7	MD10170H070E
	8	MD10170H080E
	10	MD10170H100E

## 1/4" POWER BIT (TORX HEAD)



"OVERALL LENGTH(mm)"	SIZE	ITEM NO.	øD(mm)	
50	6	MD10150T06A	3.2	
	7	MD10150T07A	3.2	
	8	MD10150T08A	3.2	
	9	MD10150T09A	3.2	
	10	MD10150T10A	4	
	15	MD10150T15A	4	
	20	MD10150T20A	4.8	
	25	MD10150T25A	4.8	
	27	MD10150T27A	6	
	30	MD10150T30A	6	
	40	MD10150T40F	7	
	45	MD10150T45E	8	
	50	MD10150T50E	9.1	
	70	6	MD10170T06A	3.2
		7	MD10170T07A	3.2
8		MD10170T08A	3.2	
9		MD10170T09A	3.2	
10		MD10170T10A	4	
15		MD10170T15A	4	
20		MD10170T20A	4.8	
25		MD10170T25A	4.8	
27		MD10170T27A	6	
30		MD10170T30A	6	
40		MD10170T40F	7	
45		MD10170T45E	8	
50		MD10170T50E	9.1	

## 1/4" POWER BIT (TORX TAMPER HEAD)



"OVERALL LENGTH(mm)"	SIZE	ITEM NO.	øD(mm)	
50	6	MD10150TT06A	3.2	
	7	MD10150TT07A	3.2	
	8	MD10150TT08A	3.2	
	9	MD10150TT09A	3.2	
	10	MD10150TT10A	4	
	15	MD10150TT15A	4	
	20	MD10150TT20A	4.8	
	25	MD10150TT25A	4.8	
	27	MD10150TT27A	6	
	30	MD10150TT30A	6	
	40	MD10150TT40F	6.3	
	70	6	MD10170TT06A	3.2
		7	MD10170TT07A	3.2
		8	MD10170TT08A	3.2
		9	MD10170TT09A	3.2
10		MD10170TT10A	4	
15		MD10170TT15A	4	
20		MD10170TT20A	4.8	
25		MD10170TT25A	4.8	
27		MD10170TT27A	6	
30		MD10170TT30A	6	
40		MD10170TT40F	6.3	
45		MD10170TT45E	8	
50		MD10170TT50E	9.1	



# ACCESSORIES

## PA-9048PT

Riveter Adaptor

## PA48PB06T

Riveter Adaptor + Rivet Nut Adaptor

## PB-9006PT

Rivet Nut Adaptor



### Safety Note

Please note the following safety notes to malfunctions, damage or physical injury:

- Please observe all safety notes of the used driving tool (drill)
- Always switch off the driving tool and pull off the power plug before maintaining the blind Riveting attachment, e.g. changing the nosepieces or when not in use.
- Only use the blind bolting attachment as indicated in this manual for setting blind Rivets. The unit is not designed for continuous, professional use.
- Always secure the work piece.
- Do not wear loose, clothing or jewellery. Tie up hair or clothing cannot get into moving parts.
- Persons with limited physical, sensorial or mental abilities are not allowed to use the unit, unless they are supervised for their safety by a qualified person or are briefed by the responsible person how to use the unit.
- Only use the blind Riveting attachment with the included nosepieces.
- Should the unit become damaged do not use it and have it repaired by a professional or contact our customer support department. Do not disassemble the unit or try repairing it yourself.
- Do not continue using the unit if it was damaged or the unit was dropped down. Please contact our customer support service.

## PA-9048

4.8mm (3/16") Riveter Adaptor



## PA-9064

6.35mm (1/4") Riveter Adaptor



## PB-9006

M6 Rivet Nut Adaptor



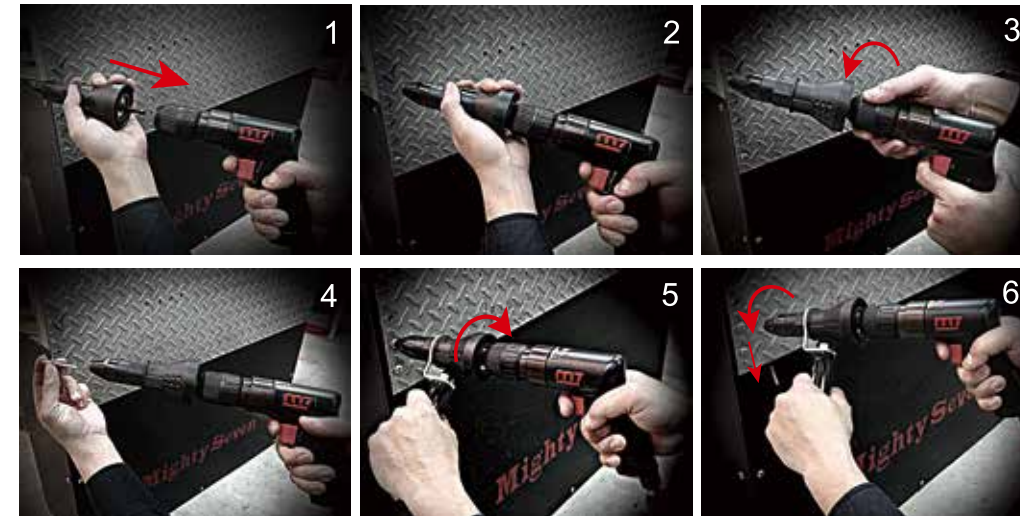
## PB-9010

M10 Rivet Nut Adaptor



### Assembling and Using Before first Use

Remove the unit and the accessory out of the packaging . keep packaging materials Out of reach of children.there is risk of suffocation



### Technical Data

#### PA-9064

Dimensions	59mm x173mm(2-11/32 x 6-3/4 inch)
Net Weight	330g=0.73 lbs
Gross Weight	500g=1.10 lbs
Nosepiece	3.2mm(1/8), 4.0mm(5/32)
Nosepiece	4.8mm(3/16),6.4mm(1/4)
Hex Shank	1/4" (6.35 mm)
Cordless Drill	14.4V ,18V
Cordless Drive	14.4V ,18V
Reversible electric	1/2"Drill
Reversible pneumatic	1/2"Drill
Min. Torque Strength	50 Nm = 37 ft/lbs
Max. rpm	1,000 rpm

1. Hex Shank	1/4 (6.35 mm)
2. Housing	PA+GF
3. Nosepiece	3.2, 4.0, 4.8, 6.4mm
4. Sight Window	Blind Rivet Loading
5. Wrench	1PC
6. Handle	1PC

#### PA-9048

Dimensions	59mm x158mm(2-11/32 x 6-3/16 inch)
Net Weight	318g=0.70 lbs
Gross Weight	368g=0.81 lbs
Nosepiece	2.4mm(3/32),3.2mm(1/8)
Nosepiece	4.0mm(5/32),4.8mm(3/16)
Hex Shank	1/4" (6.35 mm)
Cordless Drill	12V 14.4V 18V
Cordless Drive	12V 14.4V 18V
Reversible electric	3/8"Drill
Reversible pneumatic	3/8"Drill
Min. Torque Strength	11 Nm = 8 ft/lbs
Max. rpm	1,000 rpm

1 Hex Shank	1/4 (6.35 mm)
2 Housing	PA+GF
3 Nosepiece	2.4mm , 3.2mm, 4.0mm, 4.8mm
4 Sight Window	Blind Rivet Loading
5 Wrench	1PC

#### PB-9006

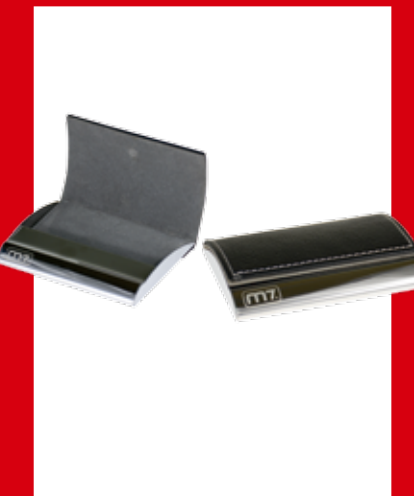
Dimensions	59mm x172mm(2-11/32" x 6-25/32")
Weight	280g=0.62 lbs
Nosepiece	M3 M4 M5 M6
Hex Shank	1/4" (6.35 mm)
Cordless Drill	12V 14.4V
Cordless Drive	12V 14.4V
Reversible electric	Drill (Advice 500W)
Reversible pneumatic	Drill (Advice 3/8")
Min. Torque Strength	15 Nm = 11 ft/lbs
Max. rpm	1000 rpm

#### PB-9010

Dimensions	59mm x180mm(2-11/32" x 7-3/32")
Weight	350g=0.77 lbs
Nosepiece	M6 M8 M10
Hex Shank	1/4" (6.35 mm)
Cordless Drill	14.4V
Cordless Drive	18V
Reversible electric	Drill (Advice 500W)
Reversible pneumatic	Drill (Advice 1/2")
Min. Torque Strength	100 Nm = 73.7 ft/lbs
Max. rpm	800 rpm



# RETAILER PROMOTION



Cardcase **ZB-701**



Pen **ZB-302**



LED x 4pcs  
No. 4 battery x 3pcs included  
LED Pen light **ZB-9156**



Watch **ZG-101**



SIZE	S	M	L	XL	2XL
	XL	XL	3L	4L	5L

T-shirt **ZB-201**



Baseball Cap **ZC-202-1**



Half Finger Blade Cut Resistance Glove **ZB-814**



Anti-vibration Glove **ZB-812**

Item Description	length(cm)	wide(cm)
M	22	10.5
L	23.5	11
XL	25.5	11.5
XXL	26.5	12



37\*24\*23cm  
Tool Bag **ZC-111**



SIZE 446 x 210mm  
Kneeling Pad **ZE-03**



USB drive **ZB-604**



Bag **ZC-107**



fender cover **ZF-01**



40\*22\*30cm  
Tool Bag (rubber base) **ZC-112**



# M7 POSTER

**PNEUMATIC  
TOOLS**  
GLOBAL EXPANSION

**MAX TORQUE 1627 Nm**  
**MAGNESIUM ALLOY.**

**NC-4255Q**

**SHARK+ COMPOSITE**  
Efficiently & Well-Balanced Twin Hammer

**MAX TORQUE 746 550 FT.LB**

**NC-4232**

**1/2" DRIVE m7 NC-4233Z AIR IMPACT WRENCH | SOCCER**

**Special 1 Super Power + 1 Original**

**2014 World Cup**

**1" DRIVE m7 NC-B182/NC-B242 AIR IMPACT WRENCH**

**LIGHT & POWERFUL**

**MAX TORQUE 2500 FT.LB**  
**NET WEIGHT 11.9kg**

**LIGHT 40% POWERFUL 38%**

**MIGHTY SEVEN INTERNATIONAL CO., LTD.**  
www.mighty-seven.com  
e-mail: info@mighty-seven.com

**COMPLETE AIR TOOL SOLUTIONS m7 AIR IMPACT WRENCH**

**Smallest with Bigger power**

**vs David and Goliath**

**NC-4610**  
1/2" Drive Air Impact Wrench

**MIGHTY SEVEN INTERNATIONAL CO., LTD.**  
www.mighty-seven.com  
e-mail: info@mighty-seven.com

**COMPLETE AIR TOOL SOLUTIONS m7 AIR IMPACT WRENCH**

**NC-4230**  
1/2" Drive Air Impact Wrench

**MIGHTY SEVEN INTERNATIONAL CO., LTD.**  
www.mighty-seven.com  
e-mail: info@mighty-seven.com

**LEVER TYPE m7 08-71SERIES 100° AIR ANGLE GRINDER**

**REDUCE BODY HEAT 100%**  
Heat an existing wrench design to reduce body heat 100% comparing to other equivalent body design.

**MORE POWERFUL 20%**  
Strengthened body design to raise torque power 20%.

**100° DESIGN** 100° handle angle design for a 100° working angle and better body design.

**360° DESIGN** 360° handle angle design for a 360° working angle and better body design.

**1/2" DRIVE m7 NC-4236 AIR IMPACT WRENCH**

**MIGHTY POWERFUL**

**MIGHTY SEVEN INTERNATIONAL CO., LTD.**  
www.mighty-seven.com  
e-mail: info@mighty-seven.com

**1/2" DRIVE m7 NC-4620N AIR IMPACT WRENCH SET**

**SMALL LIGHT QUIET YET POWERFUL**

**PLUS 2**

**MIGHTY SEVEN INTERNATIONAL CO., LTD.**  
www.mighty-seven.com  
e-mail: info@mighty-seven.com

**COMPLETE AIR TOOL SOLUTIONS m7 SHUT OFF SCREWDRIVER**

**NEW**

**MIGHTY SEVEN INTERNATIONAL CO., LTD.**  
www.mighty-seven.com  
e-mail: info@mighty-seven.com

**COMPLETE AIR TOOL SOLUTIONS m7 08-802 PNEUMATIC TOOLS**

**Air and Factors-blowing Food**

**MIGHTY SEVEN INTERNATIONAL CO., LTD.**  
www.mighty-seven.com  
e-mail: info@mighty-seven.com

**COMPLETE AIR TOOL SOLUTIONS m7 AIR IMPACT WRENCH**

**NC-4216**  
1/2" Drive Air Impact Wrench

**MIGHTY SEVEN INTERNATIONAL CO., LTD.**  
www.mighty-seven.com  
e-mail: info@mighty-seven.com

**COMPLETE AIR TOOL SOLUTIONS m7 AIR IMPACT WRENCH**

**NC-4215**  
1/2" Drive Air Impact Wrench

**MIGHTY SEVEN INTERNATIONAL CO., LTD.**  
www.mighty-seven.com  
e-mail: info@mighty-seven.com

**m7 AIR BLOW GUN**

**2nd generation**

**MIGHTY SEVEN INTERNATIONAL CO., LTD.**  
www.mighty-seven.com  
e-mail: info@mighty-seven.com



# M7 POSTER

**GET INTO TIGHT SPACES BY USING M7 NE-499**

M7 provides an impact ratchet that a normal impact wrench cannot reach into, and exceeding torque power of a normal ratchet.

**ADAPTIVE / SAVE TIME** **35%** **20%**

Forward & reverse control ring design. All size heads to great extent to lighten the burden on the worker.

The impact ratchet needs to be made grip in it in parallel, and no working area is allowing 90 degrees vertically from the shaft head.

**97 mm Length**

Available in 3/8" & 1/2"

The powerful NE-499 is capable of providing 2000 FT-LB torque power with high line speed 7.100 RPM. You can complete jobs in half of time comparing to other ratchet. NE-499 can help you to complete more jobs within a short time.

When you understand the magic tool of M7, please NE-499 more, you will want to add this tool to your tool box more.

**SHARK**

**SUPER MINI AIR IMPACT WRENCH**

STYLISH DESIGN

**97 mm Length**

**WIN** **LOSER**

**HEAVY NOISY**

**REGULAR 1/2" DR IMPACT WRENCH**

**NC-4611**

**3.3LB / 1.5KG**

**AIR IMPACT WRENCH**

SO EASY Help ME

NC-4611  
 Max Torque: 400 FT-LB  
 Max Speed: 4000 RPM  
 Max Weight: 3.3LB (1.5kg)  
 Length: 4-3/8" (111mm)  
 Stroke Length: 2.8mm

**PNEUMATIC TOOLS**  
GLOBAL EXPANSION

**NEW AIR HOSE REEL**

180 degree dual hook for wall or ceiling hook-up  
outside composite case

**SPECIAL ALLOY STEEL AIR IMPACT WRENCH**

**GREATER PARTNER SUPPORT PNEUMATIC TOOLS**

**MIGHTY SEVEN INTERNATIONAL CO., LTD.**  
 No. 710-075, Chung Huang Rd., Wu-Jih Shiang,  
 41400 Taichung Hsien, Taiwan  
 Tel: 886-4-2335557 Fax: 886-4-2335566  
 www.mighty-seven.com  
 e-mail: public@mighty-seven.com

**COMPLETE AIR TOOL SOLUTIONS SUPER DUTY LUBRICATION KIT FOR PNEUMATIC TOOLS**

**LUBRICATION KIT**

- 200g of dry lube oil
- 100g of wet lube oil
- 100g of grease
- 100g of spray lube
- 100g of spray lube
- 100g of spray lube

**COMPLETE AIR TOOL SOLUTIONS PNEUMATIC TOOLS**

**NC-4112**

1/2" Drive Air Impact Wrench Plus Shock Tube  
 1. Reduced weight for easy carrying  
 2. Heavy duty to handle impact during operation  
 3. 100% copper gear for long life  
 4. 100% steel housing for strength

**COMPLETE AIR TOOL SOLUTIONS AIR IMPACT WRENCH**

**NEW SMALL TOOL BIG POWER NC-4610**

1. 1/2" Drive  
 2. 1/2" Drive  
 3. 1/2" Drive  
 4. 1/2" Drive

www.mighty-seven.com  
 public@mighty-seven.com  
 MIGHTY SEVEN INTERNATIONAL CO., LTD.

**COMPLETE AIR TOOL SOLUTIONS AIR GREASE GUN**

**NEW**

5G-4011

- Heavy duty cast aluminum body for maximum durability
- Working pressure: 40-55 psi
- Output volume: 25-30 g/min

**MIGHTY SEVEN INTERNATIONAL CO., LTD.**  
 www.mighty-seven.com  
 e-mail: info@mighty-seven.com

**THE QA-6330 IS ESPECIALLY DESIGNED FOR YOU.**

It is a pity to miss it. You have to buy one.

**TIME SAVING** **100%**

**MONEY SAVING** **30%**

**REDUCE PHYSICAL LOADING** **75%**

**0.6 HP 97 AIR DIE GRINDER**

Strong Wind Rotor Design  
Copper Mode Silencer

**COMPLETE AIR TOOL SOLUTIONS PNEUMATIC TOOLS**

**MIGHTY SEVEN INTERNATIONAL CO., LTD.**  
 www.mighty-seven.com  
 e-mail: info@mighty-seven.com

**GLOBAL EXPANSION PNEUMATIC TOOLS**

**THE SHARK IS COMING**

1. The Shark is coming  
 2. The Shark is coming  
 3. The Shark is coming

**DW-18402 CORDLESS IMPACT WRENCH**

SQUARE DRIVE 1/2" (12.7mm)  
 BATTERY Li-ion 4.0 Ah  
 MAX. TORQUE 1220 Nm

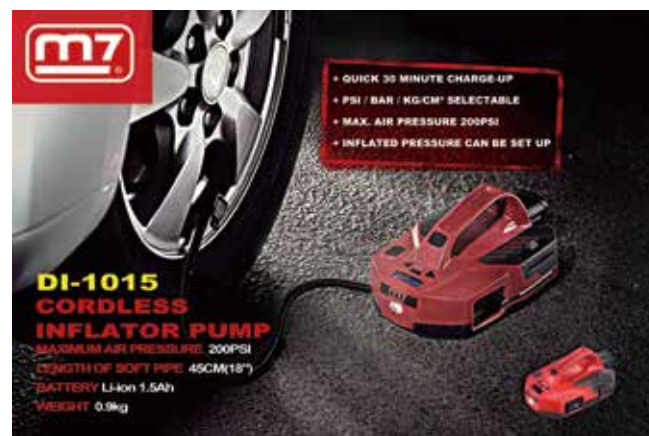




**TE-401211N**  
1/2" TORQUE WRENCH 40-210Nm, Engine Oil scale

**TW-404201N**  
1/2" TORQUE WRENCH 40-210Nm, Window display, Tor scale, Striking

**TW-404202N**  
1/2" TORQUE WRENCH 40-210Nm, Window display, Tor scale, Bark Torque



## User's Manual of Air Impact Wrench

### Working environment:

- Using these tools in any potentially explosive environment is strictly prohibited.
- It is always recommended that these types of tools must be operated when standing on a solid or firm location.
- Always use these tools in a well ventilated area.
- Slipping, stumbling and falling are the major causes of potential serious injury, therefore, a clean and clutter free surface in the working area before operating the tools is strongly recommended.

### Air supply and connection requirements:

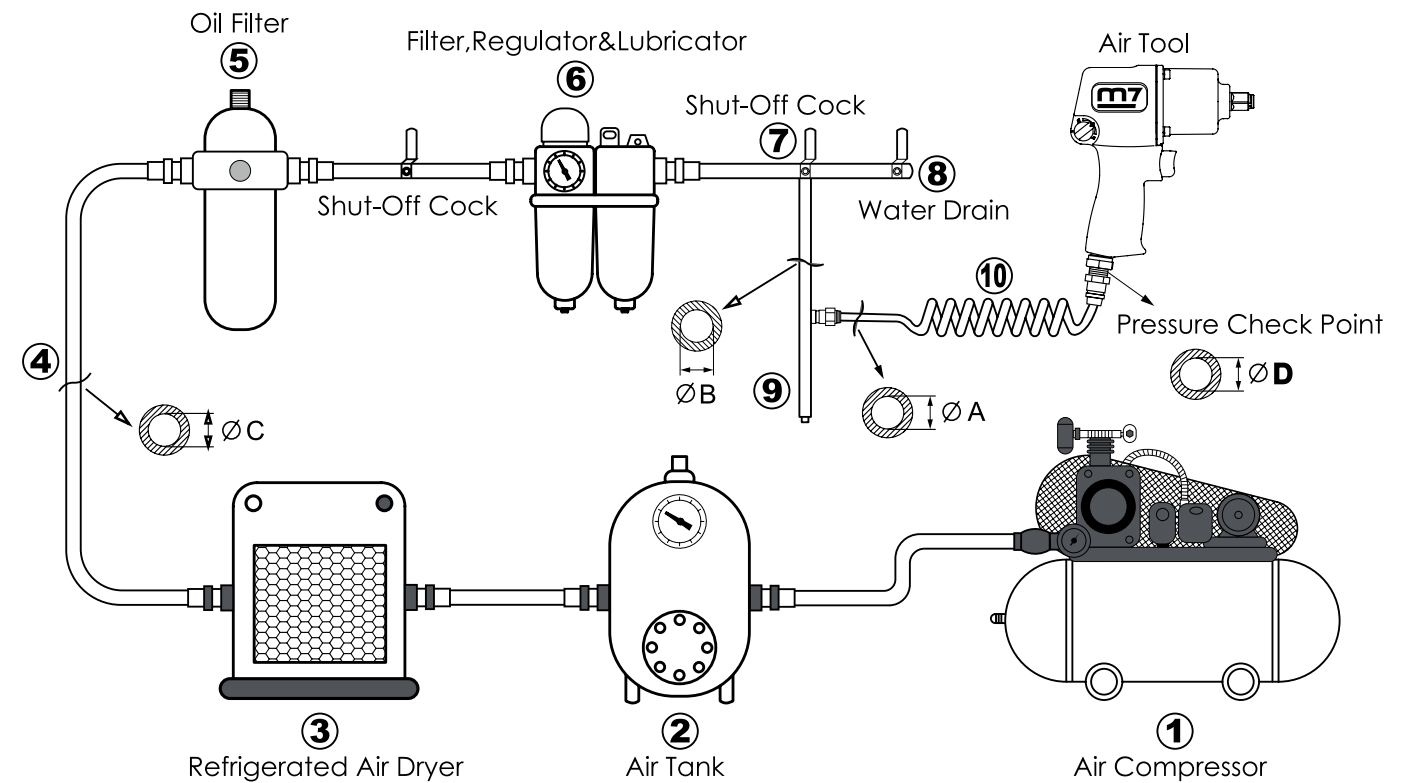
- The maximum recommended air pressure during operation must not exceed 90 psi (6.3bar). Higher air pressure may create unsafe operating conditions for the tool and the user.
- The compressed air should be cooled and have a water filter installed at the outlet end of the compressor. Even with a water filter installed, some water may still condense in the piping or hose and will enter the tool mechanism causing premature damage to the tool. Therefore, it is recommended to install an air filter-lubricator device somewhere between the tool and the compressor.
- Always use an air compressor of the proper capacity to operate each tool.
- Clean the hose with a blast of compressed air before connecting the hose to the air tool. This will prevent both moisture and dust inside the hose from entering the tool and causing possible rust or malfunction.

## Air Tool Repair Kits



M7 provides specialized repairing tools for your after market need

## Ideal system connection



## Piping diameters and length requirement:

- The diameter  $\Phi A$  required for the inlet pipe ⑩ is recommended on the specification table.
- The diameter  $\Phi B$  required for the branch pipe (from ⑦ to ⑨) should be 2 times as large as  $\Phi A$ .  $\Phi B = 2 \times \Phi A$
- The diameter  $\Phi C$  required for the primary air supply (from ① to ⑧) should be 3 times as large as  $\Phi A$ .  $\Phi C = 3 \times \Phi A$
- The length for the inlet pipe ⑩ should be less than 15 feet (4.5m).



## IMPACT WRENCH

<ol style="list-style-type: none"> <li>The tool runs automatically or tool will not shut off.</li> <li>Torque decreases slightly.</li> <li>Sound of air leaking.</li> </ol>	<ol style="list-style-type: none"> <li>Dust jam.</li> </ol>	<ol style="list-style-type: none"> <li>Clean and remove the dust from the air inlet.</li> <li>Clean the throttle valve.</li> <li>Apply a few drops of recommended pneumatic oil into the air inlet.</li> <li>Pull the trigger and run for several seconds to get rid of the dust.</li> </ol>
<ol style="list-style-type: none"> <li>Severe torque loss, but will still run at full free speed,</li> <li>Tool will not run.</li> </ol>	<ol style="list-style-type: none"> <li>The rotor blades may be damaged,</li> <li>The screws may be loose.</li> <li>The reverse button (knob) may be out off position.</li> <li>Some component(s) in motor housing or hammer housing may be worn off.</li> </ol>	<ol style="list-style-type: none"> <li>Check and replace new ones, if necessary.</li> <li>Tighten all loose screws.</li> <li>Adjust the button.</li> <li>Check and replace them, if necessary.</li> </ol>
<ol style="list-style-type: none"> <li>Air leaks from hammer housing or rear cover.</li> </ol>	<ol style="list-style-type: none"> <li>The screws may be loose.</li> <li>The gasket seal may be broken.</li> </ol>	<ol style="list-style-type: none"> <li>Tighten all loose screws.</li> <li>Replace it.</li> </ol>

**Note: The consumable parts are the rotor blades, anvil and hammer.**

## RATCHET WRENCH

<ol style="list-style-type: none"> <li>The tool runs automatically or tool will not shut off.</li> <li>Torque decreases slightly.</li> <li>Sound of air leaking.</li> </ol>	<ol style="list-style-type: none"> <li>Dust jam.</li> </ol>	<ol style="list-style-type: none"> <li>Clean and remove the dust from the air inlet.</li> <li>Clean the throttle valve.</li> <li>Apply a few drops of recommended pneumatic oil into the air inlet.</li> <li>Pull the trigger and run for several seconds to get rid of the dust.</li> </ol>
<ol style="list-style-type: none"> <li>Severe torque loss, but will still run at full free speed,</li> <li>Tool will not run.</li> </ol>	<ol style="list-style-type: none"> <li>The rotor blades may be damaged,</li> <li>The screws may be loose.</li> <li>The reverse button (knob) may be out off position.</li> <li>Some component(s) in motor housing or hammer housing may be worn off.</li> </ol>	<ol style="list-style-type: none"> <li>Check and replace new ones, if necessary.</li> <li>Tighten all loose screws.</li> <li>Adjust the button.</li> <li>Check and replace them, if necessary.</li> </ol>

**Note: The consumable parts are the rotor blades, gears and ratchet anvil.**

## DIE GRINDER

<ol style="list-style-type: none"> <li>The tool runs automatically or tool will not shut off.</li> <li>Torque decreases slightly.</li> <li>Sound of air leaking.</li> </ol>	<ol style="list-style-type: none"> <li>Dust jam.</li> <li>Trigger may be damaged!</li> </ol>	<ol style="list-style-type: none"> <li>Clean to remove the dust from the air inlet.</li> <li>Clean the throttle valve.</li> <li>Apply a few drops of recommended pneumatic oil into the air inlet.</li> <li>Push trigger and run for several seconds to get rid of the dust.</li> <li>Inspect the trigger, correct or replace the related component when necessary.</li> </ol>
<ol style="list-style-type: none"> <li>Severe torque loss, but will still run at full free speed,</li> <li>Tool will not run.</li> </ol>	<ol style="list-style-type: none"> <li>The rotor blades may be damaged,</li> <li>The screws may be loose.</li> <li>The Air Regulator may not be in correct position.</li> <li>The Collet Nut may be loose.</li> </ol>	<ol style="list-style-type: none"> <li>Check and replace with new ones, if necessary.</li> <li>Tighten all loose screws.</li> <li>Check and correct.</li> <li>Check and tighten.</li> </ol>

**Note: The consumable parts are the rotor blades, bearings and collet.**

## AIR CUTTING OFF TOOL

<ol style="list-style-type: none"> <li>The tool runs automatically or tool will not shut off.</li> <li>Torque decreases slightly.</li> <li>Sound of air leaking.</li> </ol>	<ol style="list-style-type: none"> <li>Dust jam.</li> <li>Trigger may be damaged!</li> </ol>	<ol style="list-style-type: none"> <li>Clean and remove the dust from the air inlet.</li> <li>Clean the throttle valve.</li> <li>Apply a few drops of recommended pneumatic oil into the air inlet.</li> <li>Push trigger and run for several seconds to get rid of the dust.</li> <li>Inspect the trigger, correct or replace the related component when necessary.</li> </ol>
<ol style="list-style-type: none"> <li>Severe torque loss, but will still run at full free speed,</li> <li>Tool will not run.</li> </ol>	<ol style="list-style-type: none"> <li>The rotor blades may be damaged,</li> <li>The screws may be loose.</li> <li>The Air Regulator may not be in correct position.</li> </ol>	<ol style="list-style-type: none"> <li>Check and replace with new ones, if necessary.</li> <li>Tighten all loose screws.</li> <li>Check and correct.</li> </ol>

**Note: The consumable parts are the rotor blades and bearings.**

## AIR ANGLE GRINDER

<ol style="list-style-type: none"> <li>The tool runs automatically or tool will not shut off.</li> <li>Torque decreases slightly.</li> <li>Sound of air leaking.</li> </ol>	<ol style="list-style-type: none"> <li>Dust jam.</li> <li>Trigger may be damaged!</li> </ol>	<ol style="list-style-type: none"> <li>Clean and remove the dust from the air inlet.</li> <li>Clean the throttle valve.</li> <li>Apply a few drops of recommended pneumatic oil into the air inlet.</li> <li>Push trigger and run for several seconds to get rid of the dust.</li> <li>Inspect the trigger, correct or replace the related component when necessary.</li> </ol>
<ol style="list-style-type: none"> <li>Severe torque loss, but will still run at full free speed.</li> <li>Tool will not run.</li> </ol>	<ol style="list-style-type: none"> <li>The rotor blades may be damaged,</li> <li>The screws may be loose.</li> <li>The bevel gears may not have enough grease.</li> <li>The bevel gears may be worn off.</li> </ol>	<ol style="list-style-type: none"> <li>Check and replace new ones, if necessary.</li> <li>Tighten all loose screws.</li> <li>Apply some multiple-purpose grease.</li> <li>Replace them.</li> </ol>

**Note: The consumable parts are the rotor blades and bearings.**

## BELT SANDER

<ol style="list-style-type: none"> <li>The tool runs automatically or tool will not shut off.</li> <li>Torque decreases slightly.</li> <li>Sound of air leaking.</li> </ol>	<ol style="list-style-type: none"> <li>Dust jam.</li> </ol>	<ol style="list-style-type: none"> <li>Clean and remove the dust from the air inlet.</li> <li>Clean the throttle valve.</li> <li>Apply a few drops of recommended pneumatic oil into the air inlet.</li> <li>Pull the trigger and run for several seconds to get rid of the dust.</li> </ol>
<ol style="list-style-type: none"> <li>Severe torque loss, but will still run at full free speed.</li> <li>Tool will not run.</li> </ol>	<ol style="list-style-type: none"> <li>The rotor blades may be damaged.</li> <li>The screws may be loose.</li> <li>The belt may not be seated correctly.</li> <li>The bearings may be damaged.</li> </ol>	<ol style="list-style-type: none"> <li>Check and replace with new ones, if necessary.</li> <li>Tighten all loose screws.</li> <li>Adjust it.</li> <li>Replace them.</li> </ol>

**Note: The consumable parts are the rotor blades and bearings.**



## AIR SANDER

<ol style="list-style-type: none"> <li>The tool runs automatically or tool will not shut off.</li> <li>Torque decreases slightly.</li> <li>Sound of air leaking.</li> </ol>	<ol style="list-style-type: none"> <li>Dust jam.</li> <li>Trigger may be damaged!</li> </ol>	<ol style="list-style-type: none"> <li>Clean and remove the dust from the air inlet.</li> <li>Clean the throttle valve.</li> <li>Apply a few drops of recommended pneumatic oil into the air inlet.</li> <li>Pull the trigger and run for several seconds to get rid of the dust.</li> </ol>
<ol style="list-style-type: none"> <li>Severe torque loss, but will still run at full free speed.</li> <li>Tool will not run.</li> </ol>	<ol style="list-style-type: none"> <li>The rotor blades may be damaged,</li> <li>The pad may not be correct.</li> <li>The screws may be loose.</li> </ol>	<ol style="list-style-type: none"> <li>Check and replace with new ones, if necessary.</li> <li>Check and replace with the correct one.</li> <li>Tighten all loose screws.</li> </ol>
<p><b>Note: The consumable parts are the rotor blades and bearings.</b></p>		

## AIR SHEAR

<ol style="list-style-type: none"> <li>The tool runs automatically or tool will not shut off.</li> <li>Torque decreases slightly.</li> <li>Sound of air leaking.</li> </ol>	<ol style="list-style-type: none"> <li>Dust jam.</li> </ol>	<ol style="list-style-type: none"> <li>Clean and remove the dust from the air inlet.</li> <li>Clean the throttle valve.</li> <li>Apply a few drops of recommended pneumatic oil into the air inlet.</li> <li>Pull the trigger and run for several seconds to get rid of the dust.</li> </ol>
<ol style="list-style-type: none"> <li>Severe torque loss, but will still run at full free speed,</li> <li>Tool will not run.</li> </ol>	<ol style="list-style-type: none"> <li>The rotor blades may be damaged,</li> <li>The cutting blades may not be sharp enough.</li> <li>The cutting blades may not be in the correct position.</li> <li>The lock screws for cutting blades may be loose.</li> </ol>	<ol style="list-style-type: none"> <li>Check and replace with new ones, if necessary.</li> <li>Check and replace with new ones, if necessary.</li> <li>Check and adjust them.</li> <li>Check and tighten.</li> </ol>
<p><b>Note: The consumable parts are the rotor blades and bearings.</b></p>		

## AIR SAW

<ol style="list-style-type: none"> <li>The tool runs automatically or tool will not shut off.</li> <li>Torque decreases slightly.</li> <li>Sound of air leaking.</li> </ol>	<ol style="list-style-type: none"> <li>Dust jam.</li> <li>Trigger may be damaged!</li> </ol>	<ol style="list-style-type: none"> <li>Clean and remove the dust from the air inlet.</li> <li>Clean the throttle valve.</li> <li>Apply a few drops of recommended pneumatic oil into the air inlet.</li> <li>Pull the trigger and run for several seconds to get rid of the dust.</li> </ol>
<ol style="list-style-type: none"> <li>Severe torque loss, but will still run at full free speed.</li> <li>Tool will not run.</li> </ol>	<ol style="list-style-type: none"> <li>The rotor blades may be damaged.</li> </ol>	<ol style="list-style-type: none"> <li>Check and replace with new ones, if necessary.</li> </ol>
<ol style="list-style-type: none"> <li>Severe decrease in reciprocating speed.</li> </ol>	<ol style="list-style-type: none"> <li>The drive motor may be dirty.</li> </ol>	<ol style="list-style-type: none"> <li>Cleaning required.</li> </ol>
<p><b>Note: The consumable parts are the rotor blades and bearings.</b></p>		

<h3>AIR DRILL</h3> <ol style="list-style-type: none"> <li>The tool runs automatically or tool will not shut off.</li> <li>Torque decreases slightly.</li> <li>Sound of air leaking.</li> </ol>	<ol style="list-style-type: none"> <li>Dust jam.</li> </ol>	<ol style="list-style-type: none"> <li>Clean and remove the dust from the air inlet.</li> <li>Clean the throttle valve.</li> <li>Apply a few drops of recommended pneumatic oil into the air inlet.</li> <li>Pull the trigger and run for several seconds to get rid of the dust.</li> </ol>
<ol style="list-style-type: none"> <li>Severe torque loss, but will still run at full free speed.</li> <li>Tool will not run.</li> </ol>	<ol style="list-style-type: none"> <li>The rotor blades may be damaged,</li> <li>The keyless chuck may be damaged.</li> </ol>	<ol style="list-style-type: none"> <li>Check both possibilities and replace with new ones, if necessary.</li> </ol>

**Note: The consumable parts are the rotor blades and bearings.**

<h3>AIR SCREWDRIVER</h3> <ol style="list-style-type: none"> <li>The tool runs automatically or tool will not shut off.</li> <li>Torque decreases slightly.</li> <li>Sound of air leaking.</li> </ol>	<ol style="list-style-type: none"> <li>Dust jam.</li> </ol>	<ol style="list-style-type: none"> <li>Clean and remove the dust from the air inlet.</li> <li>Clean the throttle valve.</li> <li>Apply a few drops of recommended pneumatic oil into the air inlet.</li> <li>Pull the trigger and run for several seconds to get rid of the dust.</li> </ol>
<ol style="list-style-type: none"> <li>Severe torque loss, but will still run at full free speed,</li> <li>Tool will not run.</li> </ol>	<ol style="list-style-type: none"> <li>The rotor blades may be damaged,</li> <li>The screws may be loose.</li> <li>The Reverse Knob may be damaged or not in the right position.</li> <li>The impact mechanism may be damaged.</li> </ol>	<ol style="list-style-type: none"> <li>Check both possibilities and replace with new ones, if necessary.</li> <li>Tighten all the loose screws.</li> <li>Check and adjust, or replace with a new one if necessary.</li> <li>Check and replace with a new set, if necessary.</li> </ol>

**Note: The consumable parts are the rotor blades and bearings.**

<h3>AIR HAMMER</h3> <ol style="list-style-type: none"> <li>The tool runs automatically or tool will not shut off.</li> <li>Torque decreases slightly.</li> <li>Sound of air leaking.</li> </ol>	<ol style="list-style-type: none"> <li>Dust jam.</li> </ol>	<ol style="list-style-type: none"> <li>Clean and remove the dust from the air inlet.</li> <li>Clean the throttle valve.</li> <li>Apply a few drops of recommended pneumatic oil into the air inlet.</li> <li>Pull the trigger and run for several seconds to get rid of the dust.</li> </ol>
<ol style="list-style-type: none"> <li>The tool doesn't work</li> </ol>	<ol style="list-style-type: none"> <li>The piston may be jammed or damaged.</li> <li>The size of chisel may not be correct.</li> </ol>	<ol style="list-style-type: none"> <li>Check and replace the related component when necessary.</li> <li>Check and replace with the correct one.</li> </ol>

**Note: The consumable parts are the throttle valve and piston.**

<h3>HYDRAULIC RIVETER</h3> <ol style="list-style-type: none"> <li>The tool runs automatically or tool will not shut off.</li> <li>Power decreases slightly.</li> <li>Sound of air leaking.</li> </ol>	<ol style="list-style-type: none"> <li>Dust jam.</li> </ol>	<ol style="list-style-type: none"> <li>Clean and remove the dust from the air inlet.</li> <li>Clean the throttle valve.</li> <li>Apply a few drops of recommended pneumatic oil into the air inlet.</li> <li>Pull the trigger and run for several seconds to get rid of the dust.</li> </ol>
<ol style="list-style-type: none"> <li>The tool doesn't work</li> </ol>	<ol style="list-style-type: none"> <li>The size of rivet may not be suitable.</li> <li>The size of rivet nose may not be correct.</li> </ol>	<ol style="list-style-type: none"> <li>Check and use the correct ones.</li> <li>Check and replace with the correct one!</li> </ol>

**Note: The consumable parts are the rivet nose, jaw housing, front housing and spring.**

## Note:

For more details about the above recommended solutions, please refer to the use'r Manual attached along with each product.



# ALPHABETIC INDEX

8	
ITEM	page
8702.....	141
8703.....	141
8704.....	141
8706.....	141
8708.....	141
A	
AD-22.....	145
AD-23.....	145
AD-24.....	145
AD-201.....	163
AD-2212.....	162
AD-2218.....	162
AD-2312.....	162
AD-2318.....	162
AD-2318.....	162
AD-2412.....	162
AD-305-41.....	163
AD-306.....	162
AD-307.....	162
AD-308.....	163
AD-3501.....	162
AD-3502.....	162
AD-3503.....	162
AD-351.....	162
AD-3601.....	162
AD-3602.....	162
AD-3603.....	162
AD-431.....	163
AD-361.....	162
D	
DD-1850.....	136
DS-1015.....	137
DS-1020.....	137
J	
JC-292.....	116
JC-304.....	116
JC-310.....	116
JC-313.....	116
JC-320.....	116
JC-340.....	116
JC-405.....	116
JC-410.....	116
JC-412.....	116
JC-424.....	116
JC-435.....	116
JC-640.....	117

JC-680.....	117
JC-0424.....	117
JC-0415.....	117
M	
MA211M.....	146
MA211S.....	146
MA231M.....	146
MA231S.....	147
MA311M.....	147
MA311S.....	147
MA331M.....	148
MA331S.....	148
MA4030.....	142
MA411M.....	149
MA411S.....	149
MA42006M.....	148
MA42006S.....	148
MA42015.....	145
MA431M.....	150
MA431S.....	150
MA611M.....	152
MA611S.....	151
MA631M.....	153
MA631S.....	154
MA8050.....	144
MA811M.....	155
MA811S.....	155
MA831M.....	157
MA831S.....	158
MA911M.....	159
MA931M.....	159
MB34012S.....	142
MB34013M.....	142
MB35012S.....	142
MB35013M.....	142
MB44013S.....	142
MB44014M.....	142
MB45010M.....	142
MB45013S.....	143
MB45014M.....	143
MB64008M.....	143
MB64008S.....	143
MB65008S1.....	143
MB65008S.....	143
MB65008M.....	144
MB65008S.....	144
MB44008S.....	144
MD10150H.....	168
MD10150Z.....	168
MD10150P1P.....	168

MD10150P.....	168
MD10150PT.....	169
ME4050.....	144
ME221.....	160
ME321.....	160
ME421.....	160
ME621.....	160
ME821.....	160
ME422.....	161
MB371S.....	161
ME471M.....	161
ME471S.....	161
ME903.....	161
ME904.....	161
ME906.....	161
ME908.....	161
N	
NC-0208.....	119
NC-2210.....	120
NC-0410.....	38
NC-0415.....	38
NC-0615.....	39
NC-3111.....	20
NC-3210.....	20
NC-3410.....	21
NC-3610Q.....	20
NC-3810.....	21
NC-3821.....	21
NC-3831.....	21
NC-3910.....	22
NC-3911.....	22
NC-4210.....	22
NC-4210N.....	28
NC-4212.....	23
NC-4213.....	22
NC-4216.....	24
NC-4217.....	23
NC-4222.....	23
NC-4223.....	22
NC-4226.....	24
NC-4230.....	24
NC-4230NE.....	136
NC-4230Q.....	24
NC-4231Q.....	23
NC-4232Q.....	19
NC-4233Q.....	24
NC-4236.....	25
NC-4236Q.....	25
NC-4240.....	24
NC-4250Q.....	25

NC-4255.....	26
NC-4256.....	27
NC-4258.....	25
NC-4265.....	26
NC-4610.....	29
NC-4610Q.....	26
NC-4610N.....	28
NC-4611Q.....	27
NC-4620QN.....	29
NC-4630Q.....	28
NC-4811.....	28
NC-6113.....	30
NC-6123.....	30
NC-6210.....	31
NC-6210Q.....	31
NC-6213.....	31
NC-6215.....	32
NC-6216.....	32
NC-6217.....	30
NC-6218.....	32
NC-6220.....	31
NC-6255Q.....	31
NC-6225.....	32
NC-6226.....	32
NC-6236.....	30
NC-6236Q.....	30
NC-8211.....	34
NC-8212.....	33
NC-8216.....	34
NC-8217.....	33
NC-8219.....	33
NC-8221.....	34
NC-8226.....	34
NC-8232.....	35
NC-8242.....	34
NC-8242-8.....	34
NC-8252.....	35
NC-8262.....	35
NC-8311.....	36
NC-8321.....	35
NC-8322.....	36
NC-8341.....	35
NC-8342.....	36
NC-8351.....	36
NC-8362.....	37
NC-8372.....	37
NC-8382.....	36
NC-8382-8.....	36
NC-9223.....	37
NE-0357.....	43
NE-0413.....	45

# ALPHABETIC INDEX

NE-0413S.....	45
NE-251.....	44
NE-321.....	43
NE-332.....	42
NE-343.....	44
NE-351.....	44
NE-352.....	43
NE-361.....	44
NE-362.....	45
NE-399.....	28
NE-421.....	43
NE-432.....	42
NE-443.....	44
NE-461.....	45
NE-462.....	28
NE-488.....	44
NE-499.....	28
NE-499N.....	29
P	
PA-111.....	107
PA-201.....	107
PA-201V.....	108
PA-202.....	109
PA-211.....	107
PA-211TS.....	110
PA-301.....	107
PA-301MV.....	108
PA-301V.....	108
PA-312.....	109
PA-321.....	107
PA-401MV.....	109
PA-401V.....	108
PA-531.....	108
PA-541.....	108
PA-9064.....	171
PA-9408.....	171
PA-MC.....	111
PB-1305.....	110
PB-1308.....	110
PB-1310.....	110
PB-1312.....	110
PB-2402.....	110
PB-9006.....	171
PB-9010.....	171
PC-1012.....	111
PE-MC.....	111
PN-150.....	77
PN-180.....	77
Q	
QA-0115.....	52

QA-0207.....	52
QA-0215.....	52
QA-0615.....	52
QA-111.....	50
QA-141.....	48
QA-141L.....	48
QA-143.....	48
QA-151.....	48
QA-163.....	48
QA-163L.....	48
QA-210.....	50
QA-211.....	50
QA-231.....	50
QA-241.....	50
QA-311.....	51
QA-313.....	51
QA-315.....	51
QA-412.....	53
QA-421.....	53
QA-432.....	53
QA-441.....	53
QA-511.....	53
QA-611.....	49
QA-632Q.....	49
QA-633Q.....	47
QA-651N.....	120
QB-0808.....	119
QB-104.....	56
QB-105.....	56
QB-107.....	57
QB-114.....	56
QB-115.....	56
QB-117.....	58
QB-124.....	56
QB-125.....	56
QB-134.....	56
QB-135.....	56
QB-144.....	57
QB-145.....	57
QB-154.....	56
QB-155.....	56
QB-164.....	57
QB-165.....	57
QB-177.....	58
QB-179.....	58
QB-185.....	59
QB-187.....	59
QB-194.....	59
QB-194L.....	59
QB-194-CN.....	60
QB-195-85.....	60
QB-195-120.....	60

QB-195L-85.....	60
QB-195L-120.....	60
QB-195-CN.....	60
QB-197Q.....	58
QB-199.....	61
QB-2925.....	61
QB-2925L.....	61
QB-311.....	64
QB-312.....	64
QB-313.....	64
QB-321.....	64
QB-322.....	63
QB-322C.....	63
QB-324.....	65
QB-41902.....	70
QB-42502.....	70
QB-42602.....	70
QB-43802.....	70
QB-43902.....	70
QB-45602.....	69
QB-45612.....	69
QB-46502.....	69
QB-46512.....	69
QB-46602.....	69
QB-46612.....	69
QB-47602.....	70
QB-47612.....	70
QB-48111.....	71
QB-49602.....	71
QB-52502.....	68
QB-52602.....	68
QB-53802.....	68
QB-53902.....	68
QB-54602.....	67
QB-54702.....	67
QB-55602.....	68
QB-56602.....	68
QB-57602.....	72
QB-57642.....	72
QB-58502.....	72
QB-58542.....	73
QB-58602.....	72
QB-58642.....	73
QB-59602.....	72
QB-59642.....	73
QB-623.....	61
QB-7114.....	55
QB-7115.....	55
QB-7145.....	55
QB-802.....	119
QB-812.....	119
QB-904.....	165

QB-905.....	165
QB-906.....	165
QB-91108.....	165
QB-91110.....	165
QB-91208.....	165
QB-91210.....	165
QB-913.....	165
QB-9211.....	164
QB-9213.....	164
QB-9320.....	164
QB-9323.....	164
QB-9326.....	164
QB-9327.....	164
QB-9403.....	166
QB-9413.....	166
QC-213.....	76
QC-234.....	76
QC-253.....	76
QC-254.....	76
QD-221.....	78
QD-230.....	78
QD-291.....	78
QD-321.....	75
QD-924.....	164
QD-932.....	164
QE-231.....	87
QE-323N.....	122
QE-331.....	82
QE-332.....	82
QE-333.....	82
QE-334.....	82
QE-341.....	82
QE-342.....	82
QE-343.....	82
QE-344.....	82
QE-431.....	83
QE-432.....	83
QE-433.....	83
QE-434.....	83
QE-441.....	84
QE-442.....	84
QE-443.....	84
QE-444.....	84
QE-532.....	84
QE-533.....	84
QE-542.....	85
QE-543.....	85
QE-633.....	86
QE-831.....	81
QE-833.....	86
QE-841.....	86
QE-843.....	86



QE-933.....	87
QE-98L.....	87
QG-102.....	77
QG-103.....	77
QG-202.....	77
QK-111.....	79
QK-121.....	79
QM-1125.....	125
QM-901.....	164
QP-113.....	74
QP-123.....	74
QP-123QP.....	135
QP-215.....	74
QP-212N.....	121
QP-213N.....	121
QP-223N.....	121
QP-317.....	74
QP-327.....	74
QT-102.....	124
QT-113.....	124
QT-203.....	124

## R

RA-101.....	90
RA-101C.....	90
RA-102.....	90
RA-105.....	90
RA-110.....	90
RA-111.....	90
RA-1132.....	93
RA-1131.....	96
RA-1151.....	96
RA-1141.....	93
RA-1142.....	93
RA-1162.....	93
RA-1232.....	91
RA-1242.....	91
RA-1272.....	91
RA-201.....	92
RA-2161.....	94
RA-2242.....	92
RA-2272.....	93
RA-301.....	94
RA-3011.....	96
RA-3017.....	96
RA-302.....	94
RA-402.....	95
RA-3023.....	96
RA-4008.....	96
RA-4015.....	96
RA-4021.....	96
RA-5005.....	96
RA-5008.....	96
RA-5017.....	96
RA-505N.....	122
RA-606.....	92
RA-608.....	92
RA-801.....	94
RA-802.....	95
RA-811.....	95

## S

SA-2015.....	132
SA-3215.....	132
SA-3315.....	132
SA-4320.....	132
SA-4420.....	132

SB-201.....	123
SB-215.....	123
SB-304.....	123
SB-422.....	123
SB-423.....	123
SB-501.....	123
SC-07C.....	102
SC-211C.....	101
SC-212C.....	101
SC-221C.....	101
SC-222C.....	101
SC-2A.....	164
SC-2B.....	164
SC-331.....	100
SC-332.....	101
SC-341C.....	100
SC-33C.....	103
SC-33D.....	103
SC-342C.....	101
SC-4.....	165
SD-22107.....	133
SD-22115.....	133
SD-22160.....	133
SD-23110.....	133
SD-23115.....	133
SD-23210.....	133
SD-23215.....	133
SD-23315.....	133
SD-24415.....	133
SD-5408.....	164
SE-1025.....	127
SE-1101.....	127
SF-306.....	163
SF-604.....	163
SF-605.....	163
SG-101.....	115
SG-10T.....	115
SG-400.....	115
SG-400C.....	115
SG-401.....	115
SO-003.....	115
SJ-1650T.....	112
SJ-1830F.....	112
SJ-1850F.....	112
SJ-C1830F.....	112
SJ-CN55.....	113
SJ-CN70.....	113
SK-1010.....	127
SM-0502.....	126
SM-0901.....	126
SM-0902.....	126
SM-0903.....	126
SN-1032.....	102
SN-1268.....	104
SN-1288.....	104
SN-1368.....	104
SN-2110.....	104
SN-268.....	166
SN-288.....	166
SN-3111C.....	102
SN-3112C.....	102
SN-3113C.....	102
SN-3114C.....	102
SN-3121C.....	102
SN-3122C.....	102
SN-3123C.....	102

SN-3124C.....	102
SN-3212C.....	102
SN-3213C.....	102
SN-3214C.....	102
SN-3222C.....	102
SN-3223C.....	102
SN-3224C.....	102
SN-9101.....	103
SN-9103.....	103
SN-9201.....	103
SN-9203.....	103
SP-101.....	100
SP-102.....	100
SP-103.....	100
SP-104.....	100
SP-105.....	100
SP-111.....	100
SP-112.....	100
SP-113.....	100
SP-212.....	100
SP-213.....	100
SP-3050.....	100
SP-3070.....	100
SP-3090.....	100
SP-3150.....	100
SP-3220.....	98
SP-3300.....	98
SP-3400.....	98
SP-3500.....	98
SP-3600.....	98
SP-3700.....	98
SQ-0217.....	125
SR-1101.....	125
ST-11B7.....	135
ST-10C521.....	134
ST-10C522.....	134
SU-8016.....	113
SU-9025.....	113
SU-9040.....	113
SU-C1022J.....	112
SU-C422J.....	112
SV-2220.....	128
SV-2230.....	128
SV-2260.....	128
SV-2280.....	129
SV-2330.....	128
SV-2360.....	129
SV-2380.....	129
SV-2431.....	128
SV-2460.....	130
SV-2660.....	129
SV-2860.....	131
SV-3260.....	129
SV-3360.....	129
SV-3460.....	130
SV-3660.....	131
SV-3860.....	131
SW-12.....	131
SW-13.....	131
SX-2101.....	125
SY-2001M.....	167
SY-2002M.....	167
SY-210F.....	167
SY-210M.....	167
SY-211F.....	167
SY-211M.....	167

SY-220F.....	167
SY-220M.....	167
SY-221F.....	167
SY-221M.....	167
SY-230F.....	167
SY-230M.....	167
SY-231F.....	167
SY-231M.....	167
SY-320F.....	167
SY-320M.....	167
SY-321F.....	167
SY-321M.....	167
SY-251F.....	167
SY-251M.....	167
SY-351F.....	167
SY-351M.....	167

## T

TE-401211N.....	139
TW-402101N.....	139
TW-404201N.....	139
TW-406301N.....	139
TW-408401N.....	139
TW-611551N.....	139
TW-615751N.....	139
TW-402102N.....	139
TW-404202N.....	139
TW-406302N.....	139
TW-408402N.....	139
TW-611552N.....	139
TW-615752N.....	139

## Z

ZB-302.....	173
ZB-701.....	172
ZB-814.....	172
ZB-812.....	172
ZB-604.....	172
ZC-111.....	173
ZC-112.....	173
ZC-107.....	172
ZB-9156.....	173
ZC-201.....	172
ZC-202.....	173
ZE-03.....	172
ZT-31-1.....	39
ZT-13-2.....	39
ZT-13-3.....	39



